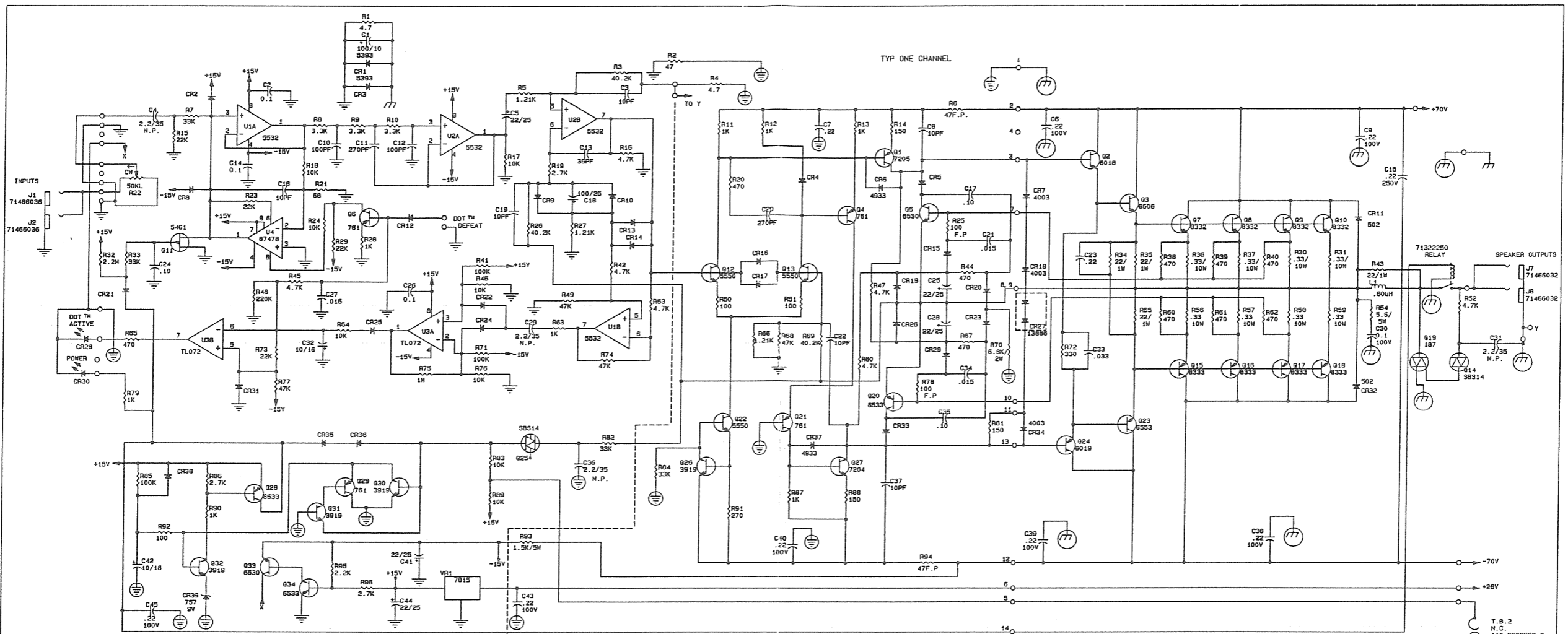


# M-7000



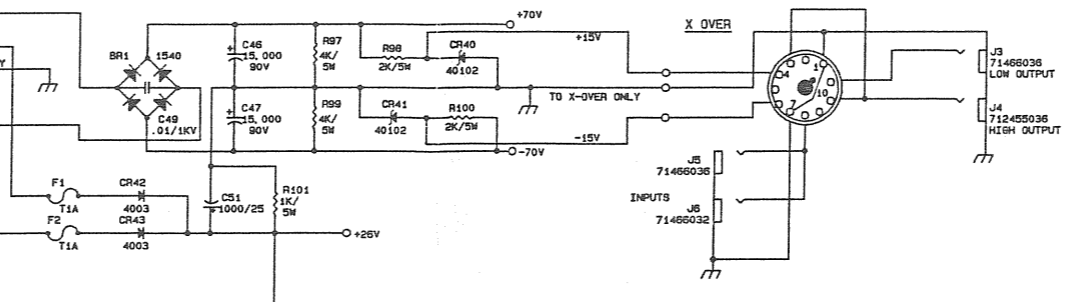
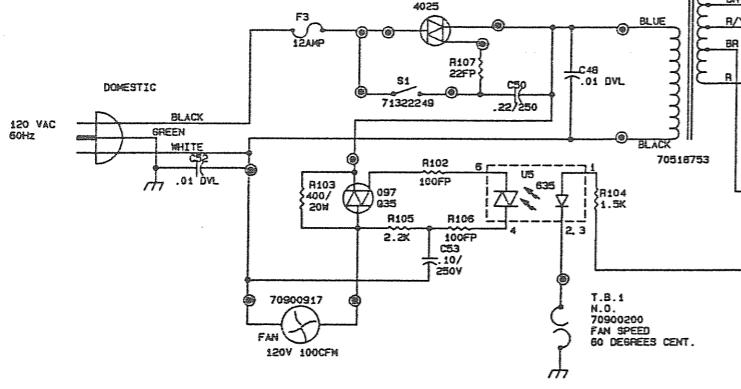
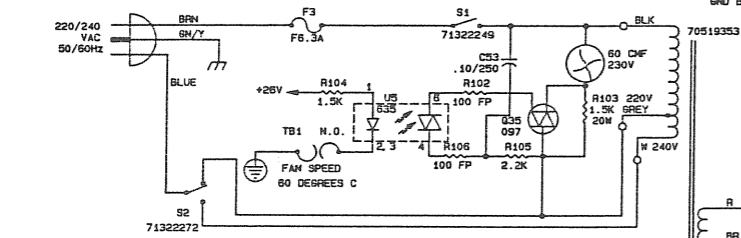
NOTES:  
 ALL RESISTORS 1/4W UNLESS NOTED  
 ALL RESISTORS IN OHMS UNLESS NOTED  
 ALL POTS ARE LINEAR UNLESS NOTED  
 ALL CAPACITORS IN MFD UNLESS NOTED  
 ALL DIODES 1N4148 UNLESS NOTED  
 VOLTAGES MAY VARY FROM UNIT TO UNIT  
 LAST REFERENCE DESIGNATOR USED.  
 R106 CS3 CR43 US  
 BUILT UNDER U.S. PATENT NOS.  
 4,318,053 AND 4,348,789

I.C. CROSS REFERENCE LIST

- TL072- 70400072
- 633A- 70400535
- 6532- 70405532
- 8747B- 70487478

TRANSISTOR CROSS REFERENCE LIST

- SBS14- 70400014 6530- 70406530
- 097- 70400097 6533- 70406533
- 751- 70400751 6506- 70406506
- 3919- 70403919 6553- 70406553
- 5481- 70405481 7204- 70407204
- 5550- 70405550 7205- 70407205
- 6018- 70406018 6532- 70406532
- 6019- 70406019



M-7000™

MARK V SERIES

- DRIVE BD. #98890650 (3-1-87)
- CONTROL BD. #98890631 (7-17-87)
- A PATCH BD. #98890690 (3-13-87)
- B PATCH BD. #98890640 (3-13-87)
- OUTPUT BD. #98870542 (11-10-87)
- POWER BD. #98890620 (12-3-86)

PEAVEY ELECTRONICS CORP. 711 A ST. MERIDIAN, MS	
DRAWN BY <i>DRH</i>	DATE <i>6-8-88</i>
C.B. CHECK <i>DRH</i>	
CHECK BY <i>EGS</i>	
APPR. BY <i>DeP</i>	

0007-M

M-7000

