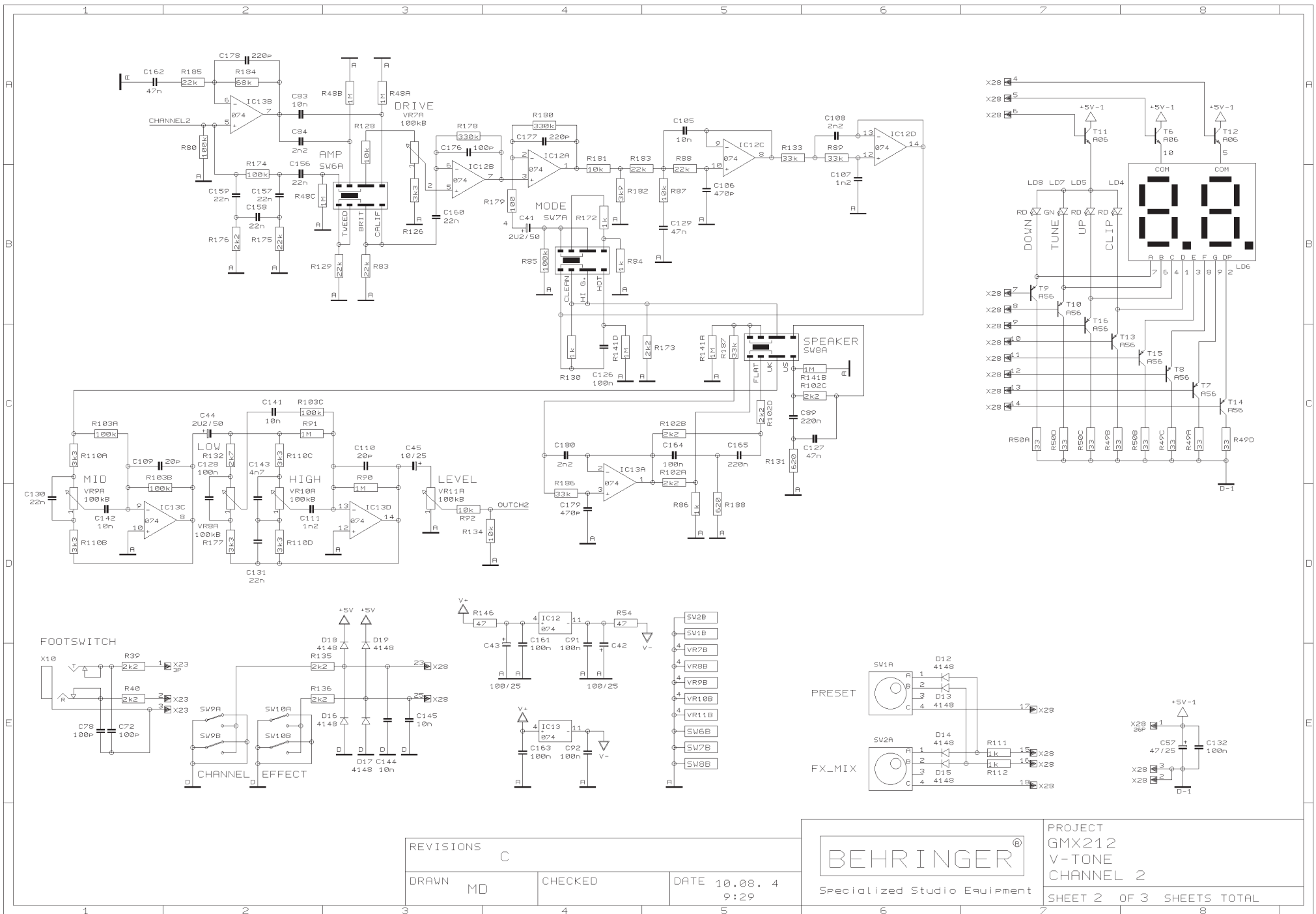


REVISIONS		
C (04/07/03)		
DRAWN	CHECKED	DATE
MD		10.08. 4 9:29


 Specialized Studio Equipment

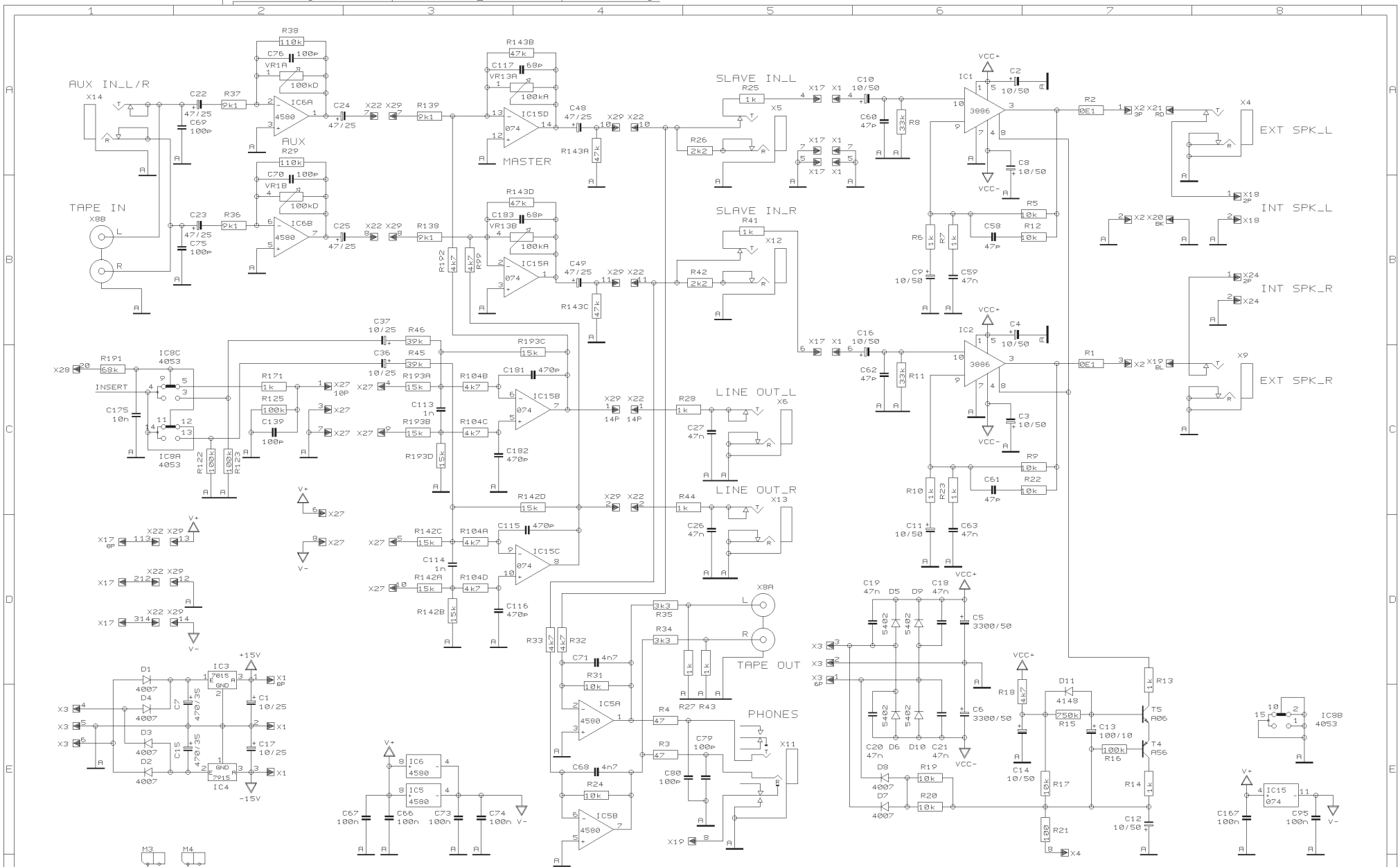
PROJECT
 GMX212
 V-TONE
 INPUT/CHANNEL 1
 SHEET 1 OF 3 SHEETS TOTAL



REVISIONS		C	
DRAWN	MD	CHECKED	DATE 10.08. 4 9:29



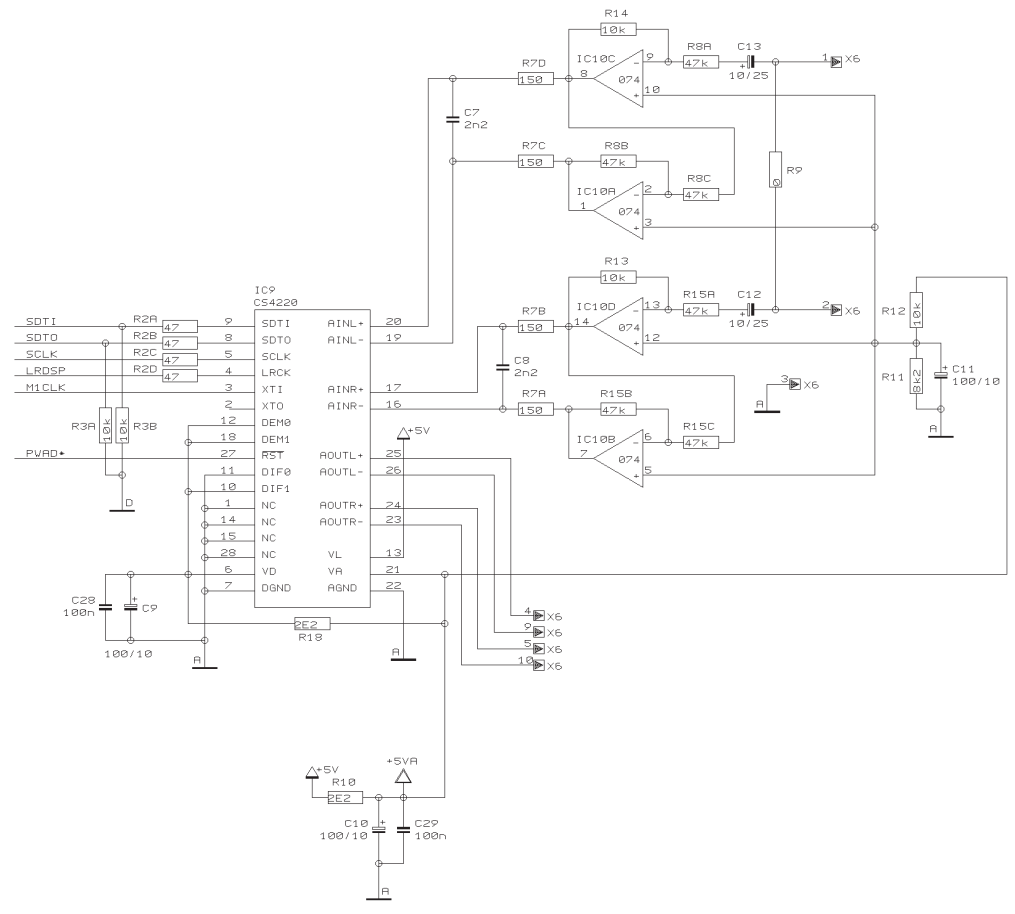
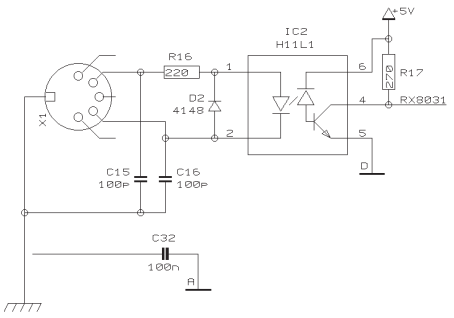
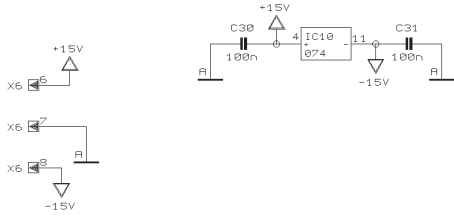
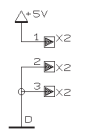
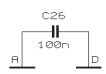
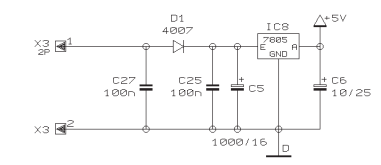
PROJECT
GMX212
V-TONE
CHANNEL 2
SHEET 2 OF 3 SHEETS TOTAL



REVISIONS		
C		
DRAWN	CHECKED	DATE
MD		10.08. 4
		9:29



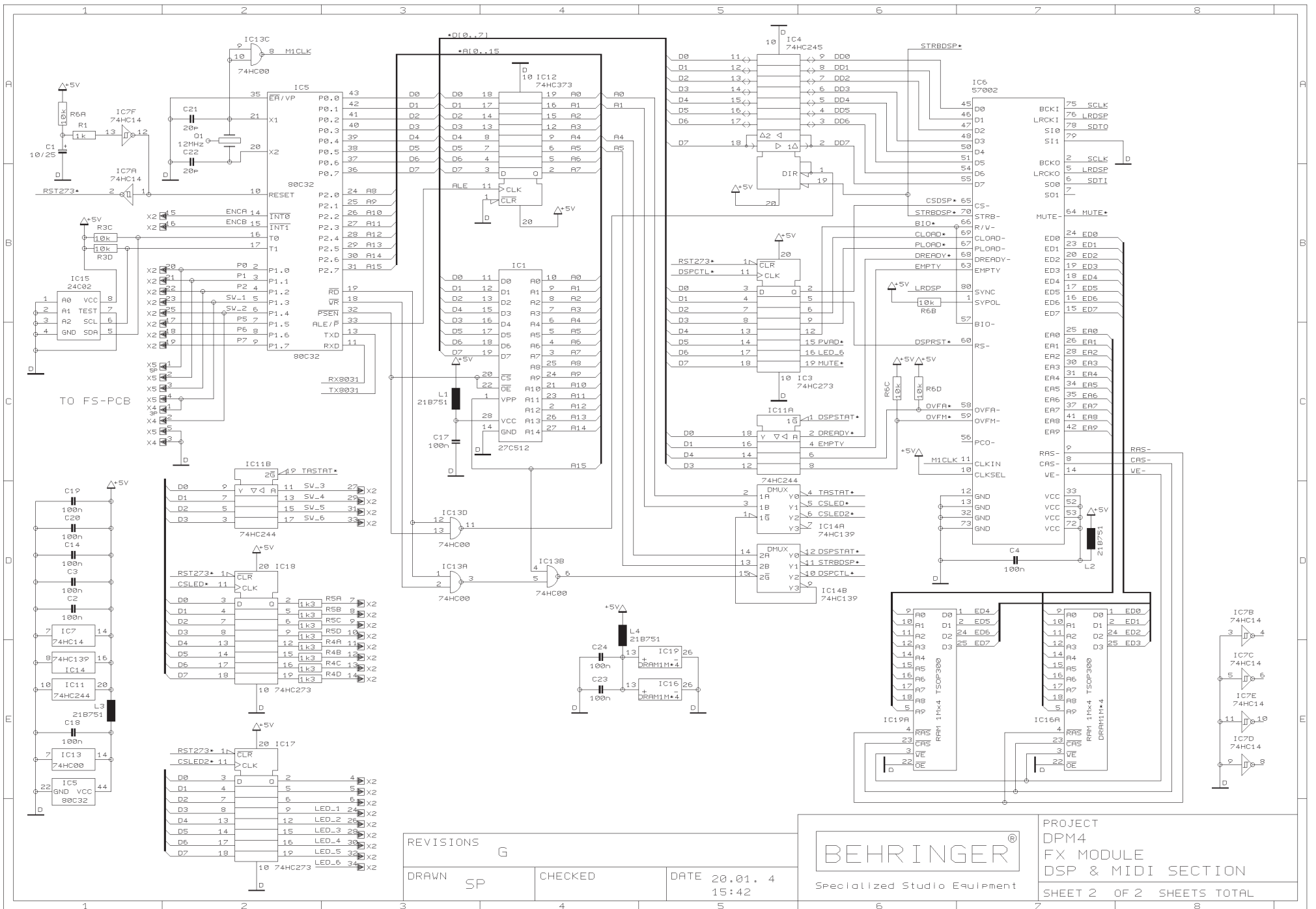
PROJECT
GMX212
V-TONE
AUX & PHONES & POWER
SHEET 3 OF 3 SHEETS TOTAL



REVISIONS		
G (07/07/03)		
DRAWN	CHECKED	DATE
SP		20.01. 4 15:42



PROJECT
DPM4
FX MODULE
I/O SECTION
SHEET 1 OF 2 SHEETS TOTAL



REVISIONS G

DRAWN SP

CHECKED

DATE 20.01. 4
15:42



PROJECT
DPM4
FX MODULE
DSP & MIDI SECTION
SHEET 2 OF 2 SHEETS TOTAL