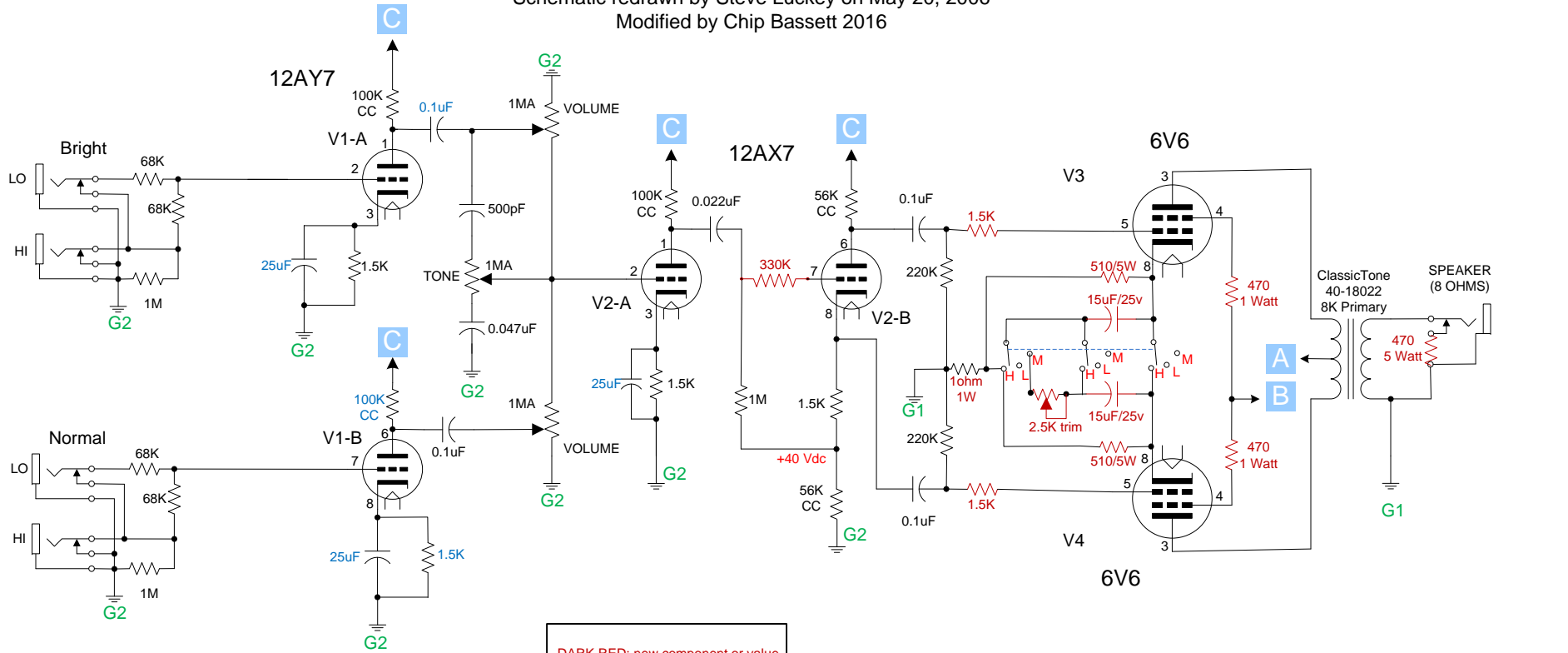


# FENDER TWEED DELUXE (5E3)

Schematic redrawn by Steve Luckey on May 20, 2006  
Modified by Chip Bassett 2016



DARK RED: new component or value  
BLUE: value subject to change

## TUBE VOLTAGE CHART

	1	2	3	4	5	6	7	8	9
V1		0		htr	htr		0		htr
V2		0		htr	htr				htr
V3	nu	htr			0	nu	htr		x
V4	nu	htr			0	nu	htr		x

All controls max CCW.

