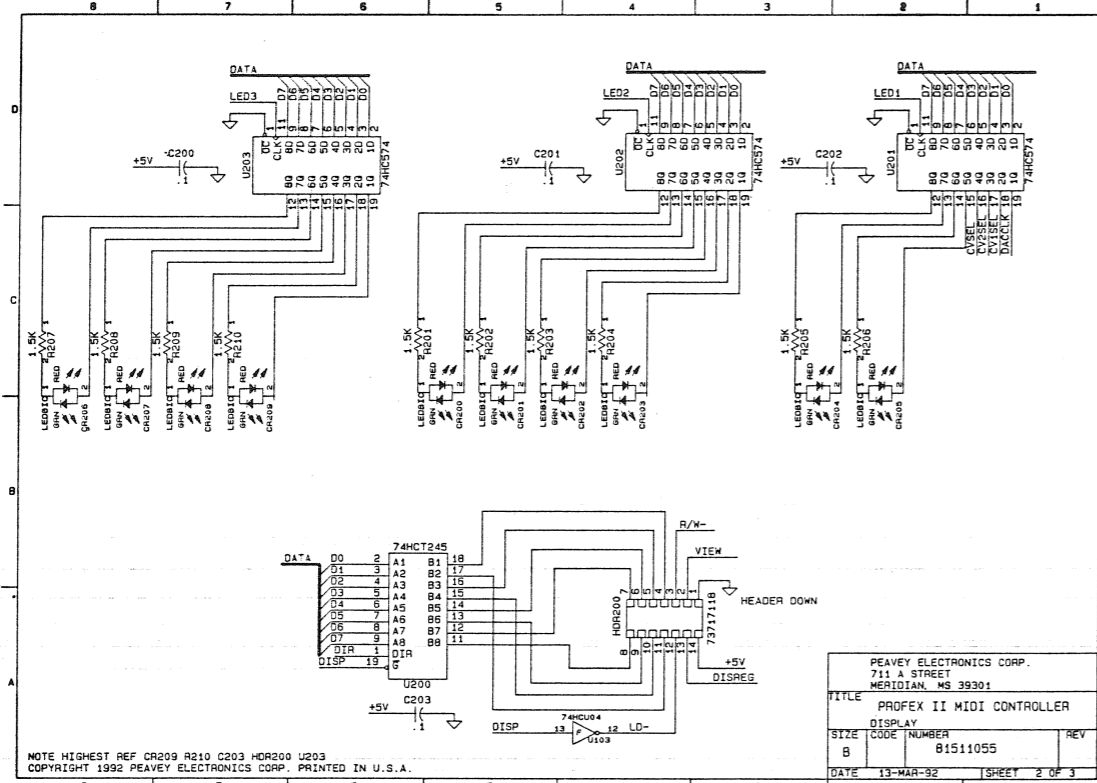
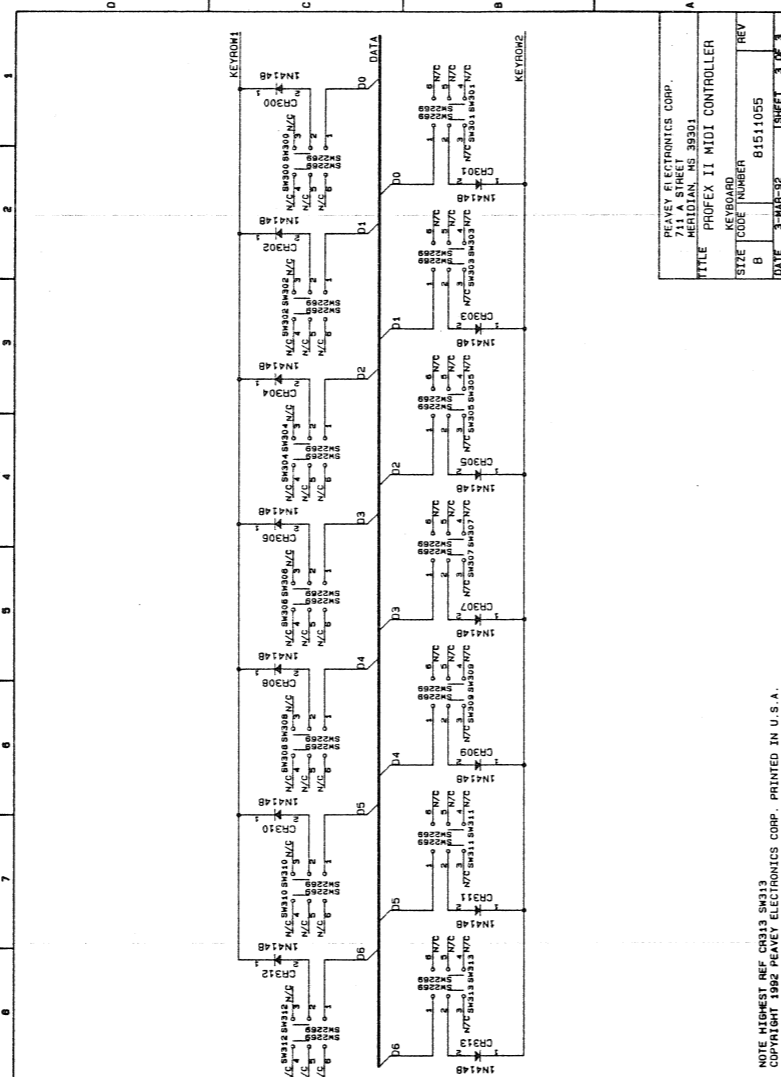
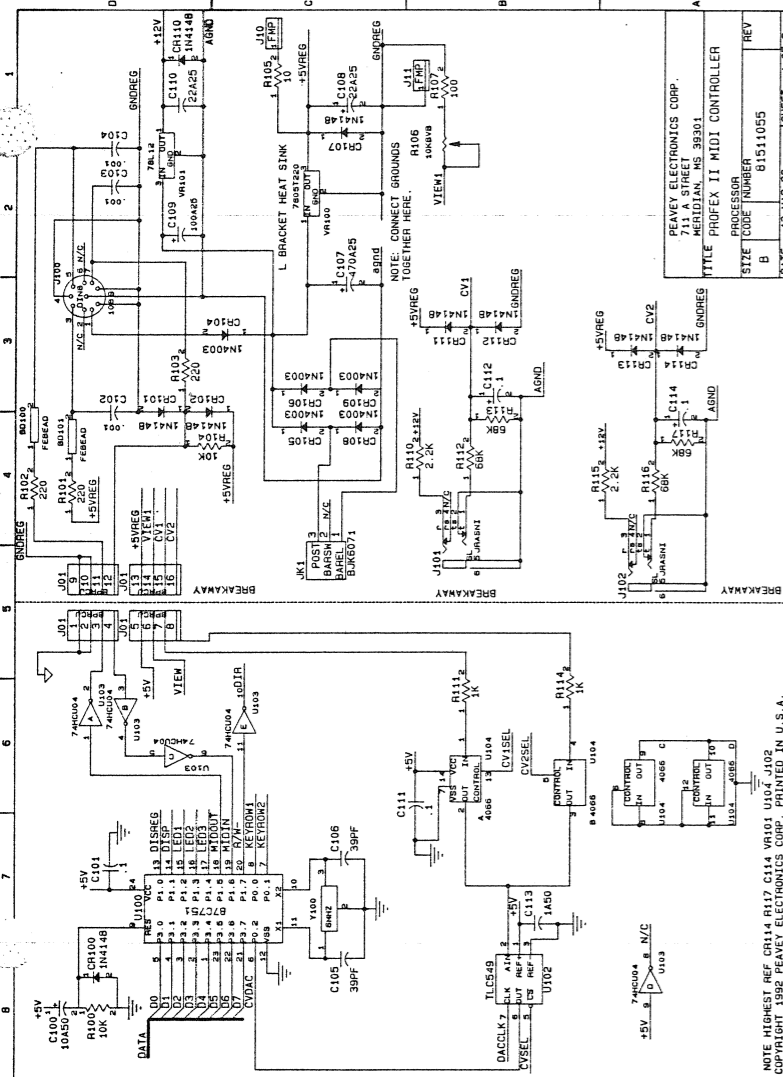


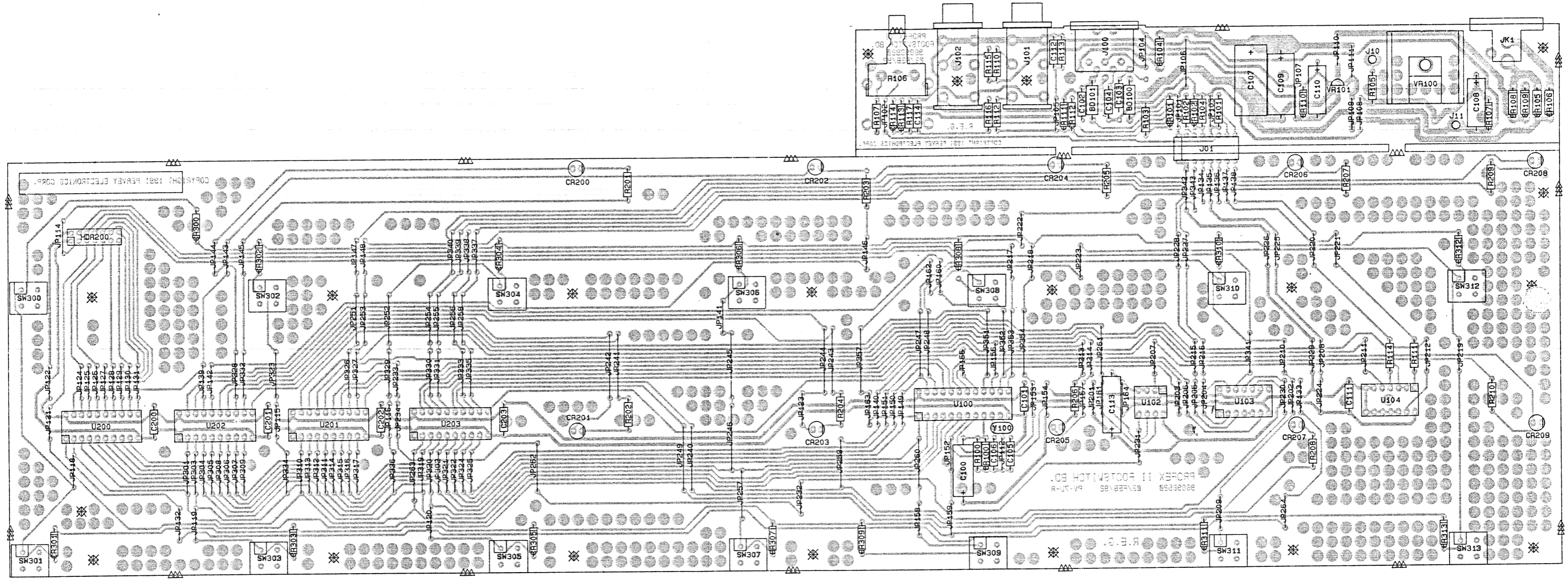
PROFEX II MIDI Controller

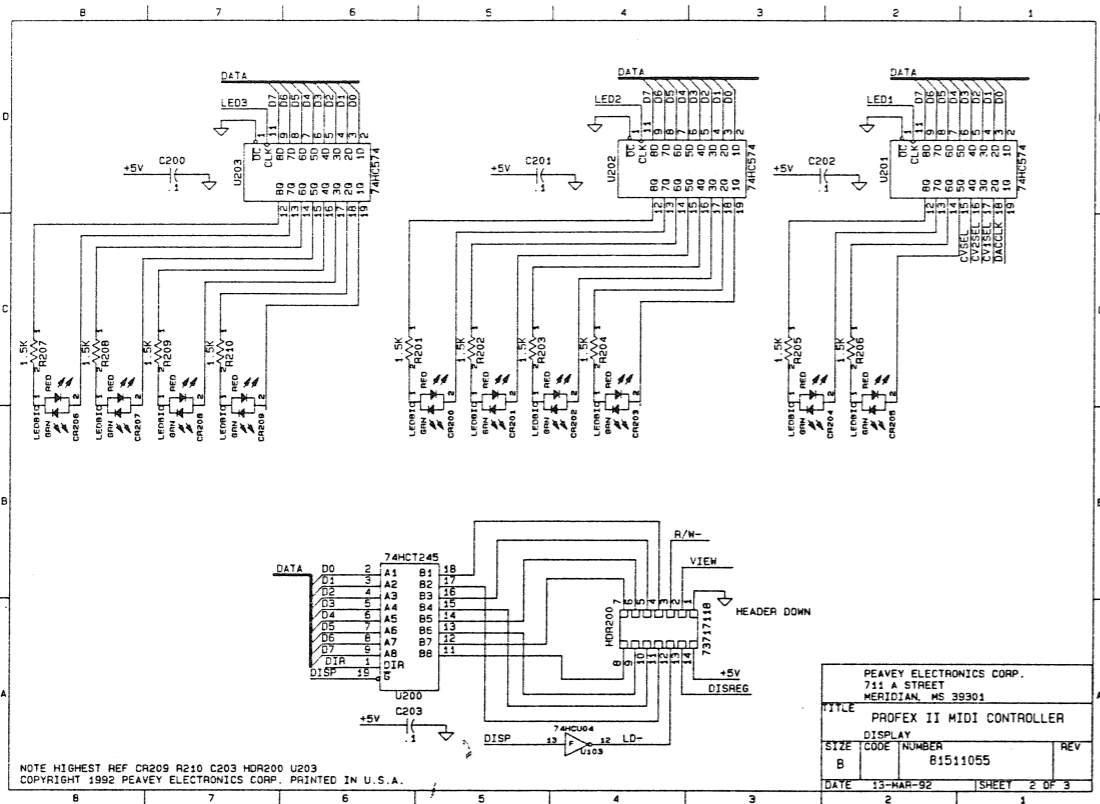
PROFEX II MIDI CONTROLLER



NAME	VALUE	NUMBER	DESCRIPTION
BD100	FEBEAD	70502122	FERRITE BEAD INDUCTOR
BD101	FEBEAD	70502122	FERRITE BEAD INDUCTOR
C100	10A50	70320112	10 MFD 50 V T&R
C101	.1	70340100	.1 MFD +80-20LV AX.LP.T&R
C102	.001	70340000	.001 MFD 10% 50V MON T&R
C103	.001	70340000	.001 MFD 10% 50V MON T&R
C104	.001	70340000	.001 MFD 10% 50V MON T&R
C105	39PF	70340052	39PF 50V TUB CER T&R
C106	39PF	70340052	39PF 50V TUB CER T&R
C107	470A25	70320168	470MF-20%-25VDC-EL-AXL
C108	22A25	70320012	22 MFD 25VDC LYT. CAP. T&R
C109	100A25	70320014	100 MFD 25 VDC LYTIC CAP
C110	22A25	70320012	22 MFD 25VDC LYT. CAP. T&R
C111	.1	70340100	.1 MFD +80-20LV AX.LP.T&R
C112	.1	70340100	.1 MFD +80-20LV AX.LP.T&R
C113	1A50	70320199	1 MFD LOW LEAKAGE CAP T&R
C114	.1	70340100	.1 MFD +80-20LV AX.LP.T&R
C200	.1	70340100	.1 MFD +80-20LV AX.LP.T&R
C201	.1	70340100	.1 MFD +80-20LV AX.LP.T&R
C202	.1	70340100	.1 MFD +80-20LV AX.LP.T&R
C203	.1	70340100	.1 MFD +80-20LV AX.LP.T&R
CR100	1N4148	70464148	1N4148 75V 10MA SILICON DIODE
CR101	1N4148	70464148	1N4148 75V 10MA SILICON DIODE
CR102	1N4148	70464148	1N4148 75V 10MA SILICON DIODE
CR104	1N4003	70464003	1N4003 200V SILICON DIODE
CR105	1N4003	70464003	1N4003 200V SILICON DIODE
CR106	1N4003	70464003	1N4003 200V SILICON DIODE
CR107	1N4148	70464148	1N4148 75V 10MA SILICON DIODE
CR108	1N4003	70464003	1N4003 200V SILICON DIODE
CR109	1N4003	70464003	1N4003 200V SILICON DIODE
CR110	1N4148	70464148	1N4148 75V 10MA SILICON DIODE
CR111	1N4148	70464148	1N4148 75V 10MA SILICON DIODE
CR112	1N4148	70464148	1N4148 75V 10MA SILICON DIODE
CR113	1N4148	70464148	1N4148 75V 10MA SILICON DIODE
CR114	1N4148	70464148	1N4148 75V 10MA SILICON DIODE
CR200	LEDBIC	70450037	LED, BI-COLOR (RED/GREEN)
CR201	LEDBIC	70450037	LED, BI-COLOR (RED/GREEN)
CR202	LEDBIC	70450037	LED, BI-COLOR (RED/GREEN)
CR203	LEDBIC	70450037	LED, BI-COLOR (RED/GREEN)
CR204	LEDBIC	70450037	LED, BI-COLOR (RED/GREEN)
CR205	LEDBIC	70450037	LED, BI-COLOR (RED/GREEN)
CR206	LEDBIC	70450037	LED, BI-COLOR (RED/GREEN)
CR207	LEDBIC	70450037	LED, BI-COLOR (RED/GREEN)
CR208	LEDBIC	70450037	LED, BI-COLOR (RED/GREEN)
CR209	LEDBIC	70450037	LED, BI-COLOR (RED/GREEN)
CR300	1N4148	70464148	1N4148 75V 10MA SILICON DIODE
CR301	1N4148	70464148	1N4148 75V 10MA SILICON DIODE
CR302	1N4148	70464148	1N4148 75V 10MA SILICON DIODE
CR303	1N4148	70464148	1N4148 75V 10MA SILICON DIODE
CR304	1N4148	70464148	1N4148 75V 10MA SILICON DIODE
CR305	1N4148	70464148	1N4148 75V 10MA SILICON DIODE
CR306	1N4148	70464148	1N4148 75V 10MA SILICON DIODE
CR307	1N4148	70464148	1N4148 75V 10MA SILICON DIODE
CR308	1N4148	70464148	1N4148 75V 10MA SILICON DIODE
CR309	1N4148	70464148	1N4148 75V 10MA SILICON DIODE
CR310	1N4148	70464148	1N4148 75V 10MA SILICON DIODE
CR311	1N4148	70464148	1N4148 75V 10MA SILICON DIODE
CR312	1N4148	70464148	1N4148 75V 10MA SILICON DIODE
CR313	1N4148	70464148	1N4148 75V 10MA SILICON DIODE
J100	DIN8	71466147	8P/180 DEG. R/A PCMNT DIN
J101	JRASNI	71466165	JK R/A 12.5MM NIN STEO-88
J102	JRASNI	71466165	JK R/A 12.5MM NIN STEO-88
JK1	BJK6071	71466071	FLUSH MOUNT 12VDC SOCKET
R100	10K	70240025	10K-1/4W-5%-CF-T&R
R101	220	70240058	220-1/4W-5%-CF-T&R
R102	220	70240058	220-1/4W-5%-CF-T&R
R103	220	70240058	220-1/4W-5%-CF-T&R
R104	10K	70240025	10K-1/4W-5%-CF-T&R
R105	10	70240003	10-1/4W-5%-CF-T&R
R106	10KBVB	71190510	10K LIN MIN VPC W/BRKT
R107	100	70240010	100-1/4W-5%-CF-T&R
R110	2.2K	70240020	2200-1/4W-5%-CF-T&R
R111	1K	70240017	1K-1/4W-5%-CF-T&R
R112	68K	70240032	68K-1/4W-5%-CF-T&R
R113	68K	70240032	68K-1/4W-5%-CF-T&R
R114	1K	70240017	1K-1/4W-5%-CF-T&R
R115	2.2K	70240020	2200-1/4W-5%-CF-T&R
R116	68K	70240032	68K-1/4W-5%-CF-T&R
R117	68K	70240032	68K-1/4W-5%-CF-T&R
R201	1.5K	70240018	1500-1/4W-5%-CF-T&R
R202	1.5K	70240018	1500-1/4W-5%-CF-T&R
R203	1.5K	70240018	1500-1/4W-5%-CF-T&R
R204	1.5K	70240018	1500-1/4W-5%-CF-T&R
R205	1.5K	70240018	1500-1/4W-5%-CF-T&R
R206	1.5K	70240018	1500-1/4W-5%-CF-T&R
R207	1.5K	70240018	1500-1/4W-5%-CF-T&R
R208	1.5K	70240018	1500-1/4W-5%-CF-T&R
R209	1.5K	70240018	1500-1/4W-5%-CF-T&R
R210	1.5K	70240018	1500-1/4W-5%-CF-T&R
SW300	SW2269	71322269	PUSH SWITCH MOMENTARY
SW301	SW2269	71322269	PUSH SWITCH MOMENTARY
SW302	SW2269	71322269	PUSH SWITCH MOMENTARY
SW303	SW2269	71322269	PUSH SWITCH MOMENTARY
SW304	SW2269	71322269	PUSH SWITCH MOMENTARY
SW305	SW2269	71322269	PUSH SWITCH MOMENTARY
SW306	SW2269	71322269	PUSH SWITCH MOMENTARY
SW307	SW2269	71322269	PUSH SWITCH MOMENTARY
SW308	SW2269	71322269	PUSH SWITCH MOMENTARY
SW309	SW2269	71322269	PUSH SWITCH MOMENTARY
SW310	SW2269	71322269	PUSH SWITCH MOMENTARY
SW311	SW2269	71322269	PUSH SWITCH MOMENTARY
SW312	SW2269	71322269	PUSH SWITCH MOMENTARY
SW313	SW2269	71322269	PUSH SWITCH MOMENTARY
U100	87C751	99000123	87C751 (PROFEX II FT CON)
U102	TLC549	70400549	TLC549 8-BIT A-D CONVTR
U103	74HCU04	70400104	74HCU04 HIGH SPEED CMOS INVERTER
U104	4066	70404066	CD4066B QUAD BILATERAL SWITCH
U200	74HCT245	70400245	74HCT245
U201	74HC574	70410574	74HC574 OCTAL REGISTER
U202	74HC574	70410574	74HC574 OCTAL REGISTER
U203	74HC574	70410574	74HC574 OCTAL REGISTER
VR100	7805T220	70427805	CM 7805 CT REG
VR101	78L12	70400012	78L12ACP 12VOLT 100MA REG
Y100	6MHZ	70800002	6 MHZ CRYSTAL

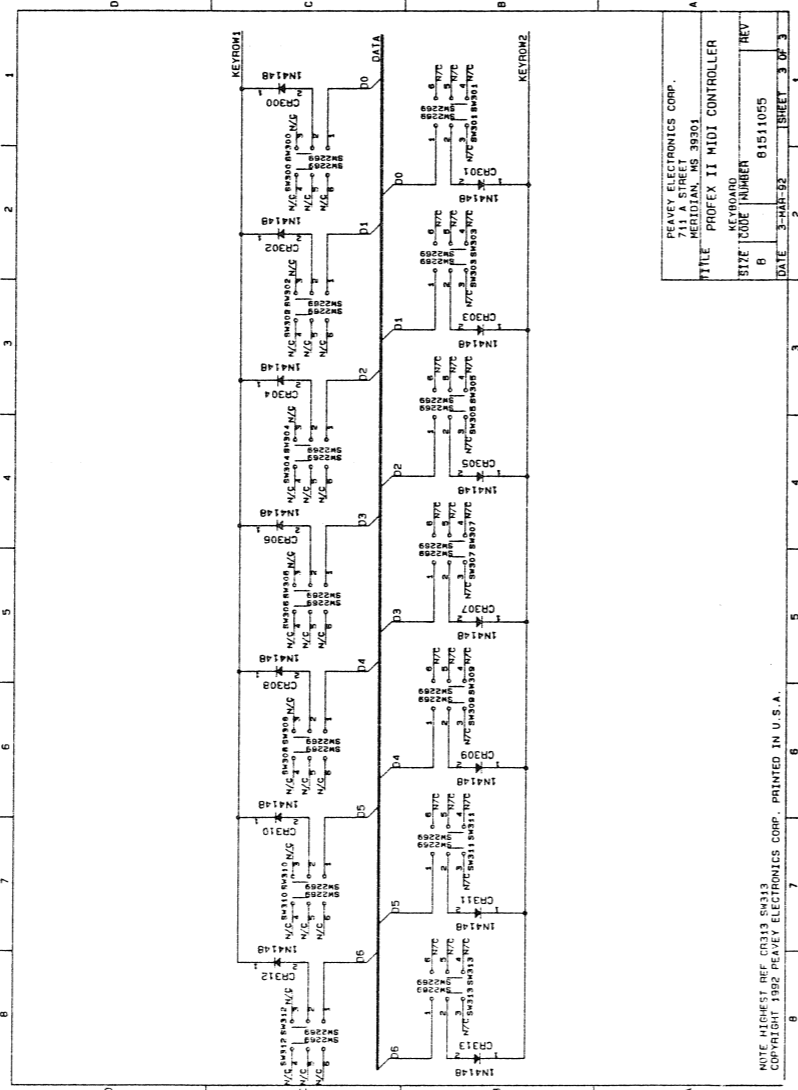
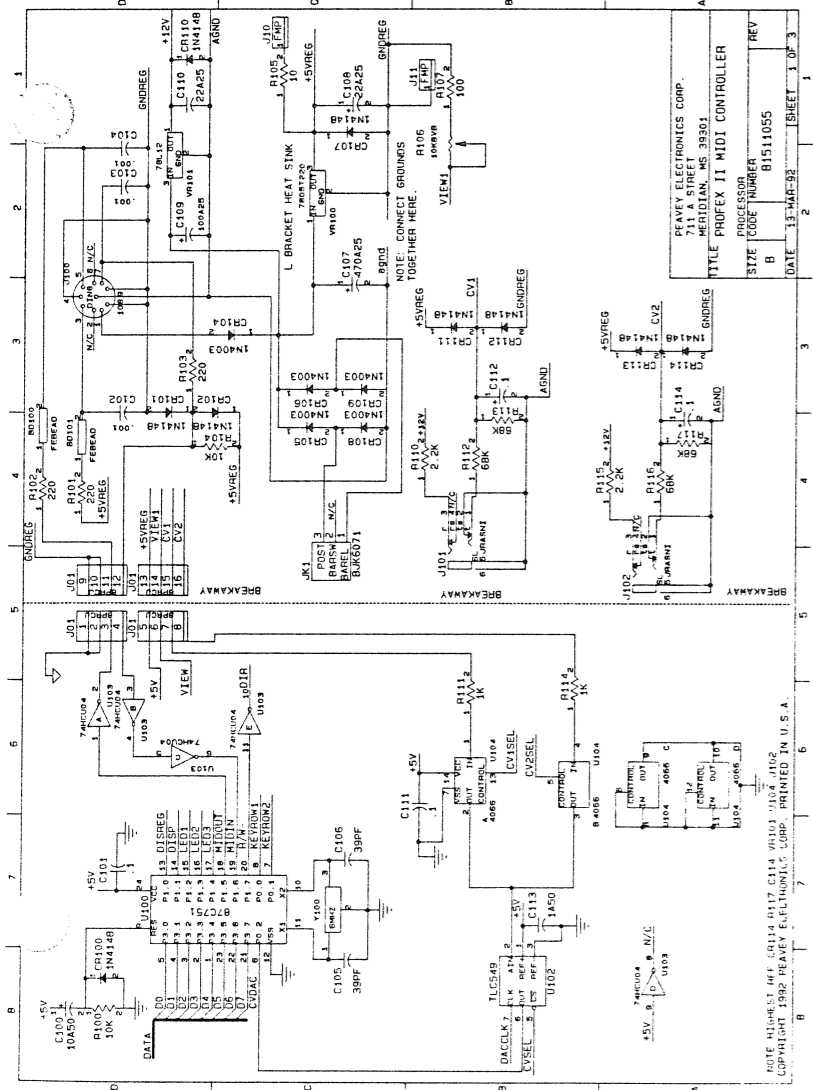




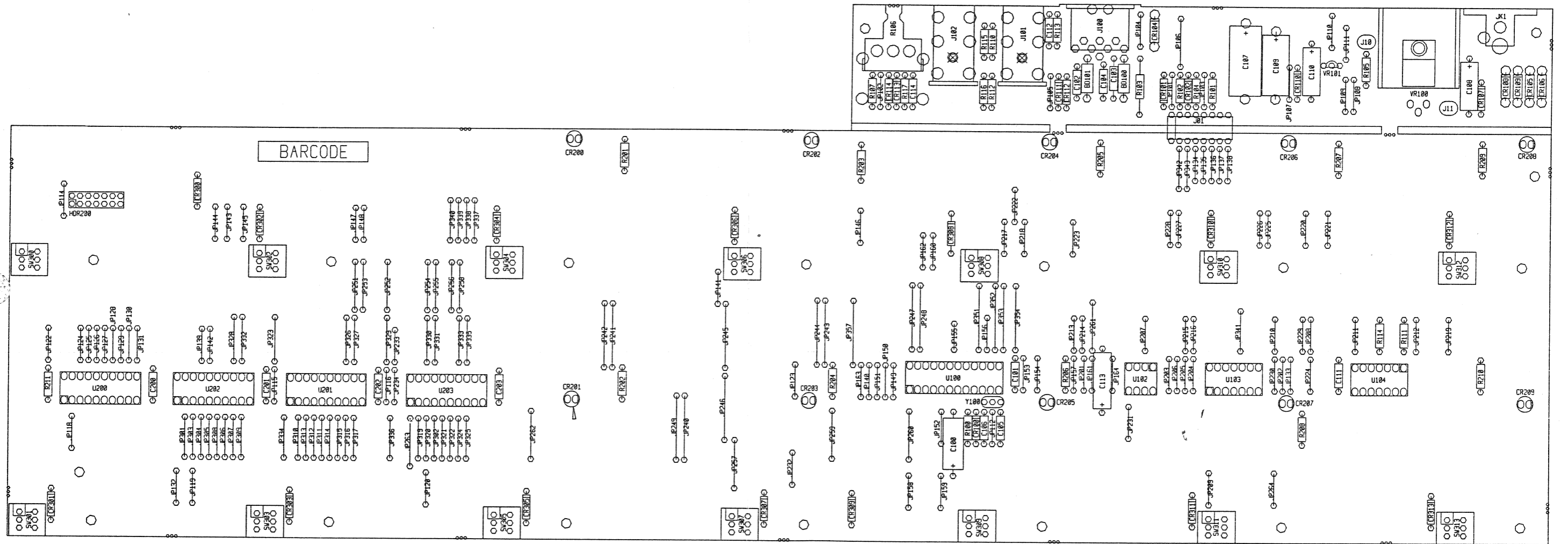


BOARD NAME: PROFEX2 FT SW
 ASSEMBLY LEVEL NUMBER: 99096921

* QTY.	NAME	VALUE	NUMBER	DESCRIPTION AND DEVICE DESIGNATIONS
2	FEBEAD	FEBEAD	70502122	FERRITE BEAD INDUCTOR BD100, BD101
1	10A35	10A35	70320112	10MFD 35VDC LY. CAP T&R C100
1	.1	.1	70340100	.1MF+80-20%-50VDC-AXL-T&R C101
3	.001	.001	70340000	.001MF-10%-50VDC-MON-T&R C102, C103, C104
2	39PF	39PF	70340052	39PF-50VDC-T/C-T&R C105, C106
1	470A25	470A25	70320168	470MF-20%-25VDC-EL-AXL C107
1	22A25	22A25	70320012	22MF-50/10%-25VDC-EL-T&R C108
1	100A25	100A25	70320014	100 MFD 25VDC LYTIC CAP C109
1	22A25	22A25	70320012	22MF-50/10%-25VDC-EL-T&R C110
2	.1	.1	70340100	.1MF+80-20%-50VDC-AXL-T&R C111, C112
1	1A50	1A50	70320199	1 MFD @ 50V LOW LEAKAGE T&R CAP C113
5	.1	.1	70340100	.1MF+80-20%-50VDC-AXL-T&R C114, C200, C201, C202, C203
3	1N4148	4148	70464148	1N4148 75V 10MA SILICON DIODE CR100, CR101, CR102
3	1N4003	1N4003	70464003	1N4003 200V SILICON DIODE CR104, CR105, CR106
1	1N4148	4148	70464148	1N4148 75V 10MA SILICON DIODE CR107
2	1N4003	1N4003	70464003	1N4003 200V SILICON DIODE CR108, CR109
5	1N4148	4148	70464148	1N4148 75V 10MA SILICON DIODE CR110, CR111, CR112, CR113, CR114
10	LEDBIC	LEDBIC	70450037	LED BI-COLOR (RED/GREEN) VERTICAL CR200, CR201, CR202, CR203, CR204, CR205, CR206, CR207, CR208, CR209
14	1N4148	4148	70464148	1N4148 75V 10MA SILICON DIODE CR300, CR301, CR302, CR303, CR304, CR305, CR306, CR307, CR308, CR309, CR310, CR311, CR312, CR313
1	73717118	73717118	73717118	14-DR-BA-RET/P-HD-.100 TIN HDR200
1	8PRCJ	8PRCJ	70600028	8C PRE-TIN .100 CTR 2.5" JUMPER J01
2	FMP	FMP	73711811	M118-171 C.B. FEMALE MOLEX PIN J10, J11
1	DIN8	71466147	71466147	CONN 8 POSITION R/A PCMT DIN J100
2	RASN6165	71466165	71466165	JK R/A 12.5MM NIN STEREO -88 J101, J102
1	BJK6071	71466071	71466071	FLUSH MOUNT 12VDC SOCKET JK1
1	10K	10K	70240025	10K-1/4W-5%-CF-T&R R100
3	220	220	70240058	220-1/4W-5%-CF-T&R R101, R102, R103
1	10K	10K	70240025	10K-1/4W-5%-CF-T&R R104
1	10	10	70240003	10-1/4W-5%-CF-T&R R105
1	POT0510	71190510	71190510	10K LIN. MIN. VPC W/BRACKET R106
1	100	100	70240010	100-1/4W-5%-CF-T&R R107
1	2.2K	2.2K	70240020	2.2K-1/4W-5%-CF-T&R R110
1	1K	1K	70240017	1K-1/4W-5%-CF-T&R R111
2	68K	68K	70240032	68K-1/4W-5%-CF-T&R R112, R113
1	1K	1K	70240017	1K-1/4W-5%-CF-T&R R114
1	2.2K	2.2K	70240020	2.2K-1/4W-5%-CF-T&R R115
2	68K	68K	70240032	68K-1/4W-5%-CF-T&R R116, R117
10	1.5K	1.5K	70240018	1.5K-1/4W-5%-CF-T&R R201, R202, R203, R204, R205, R206, R207, R208, R209, R210
1	220	220	70240058	220-1/4W-5%-CF-T&R R211
20	500SOWU	70900781	70900781	SPACER, 1/2, R (#4) .187 SWAGE ALUM. SO100, SO101, SO102, SO103, SO104, SO105, SO106, SO107, SO108, SO109, SO110, SO111, SO112, SO113, SO114, SO115, SO116, SO117, SO118, SO119
14	SW2269	SW2269	71322269	SHORT PUSH SW. MOM. SW300, SW301, SW302, SW303, SW304, SW305, SW306, SW307, SW308, SW309, SW310, SW311, SW312, SW313
1	87C751	87C751	70487751	87C751 I.C. CMOS MICROPROCESSOR U100
1	TLC549	TLC549	70400549	TLC549 LIN CMOS 8-BIT A/D PERIPHERAL U102



1	74HCU04	74HCU04	70400104	74HCU04 HIGH SPEED CMOS INVERTER U103
1	CD4066	CD4066	70404066	IC, CD4066 QUAD ANALOG SWITCH U104
1	74HCT245	74HCT245	70400245	74HCT245 U200
3	74HC574	74HC574	70410574	74HC574 OCTAL REGISTER U201, U202, U203
1	7805T220	7805	70427805	VR CT REG VR100
1	78L12	78L12	70400012	78L12ACP 12VOLT 100MA REG VR101
1	CRES6.0	CRES6.0	70800004	CRYSTAL RESONATOR Y100



Profex II Footswitch