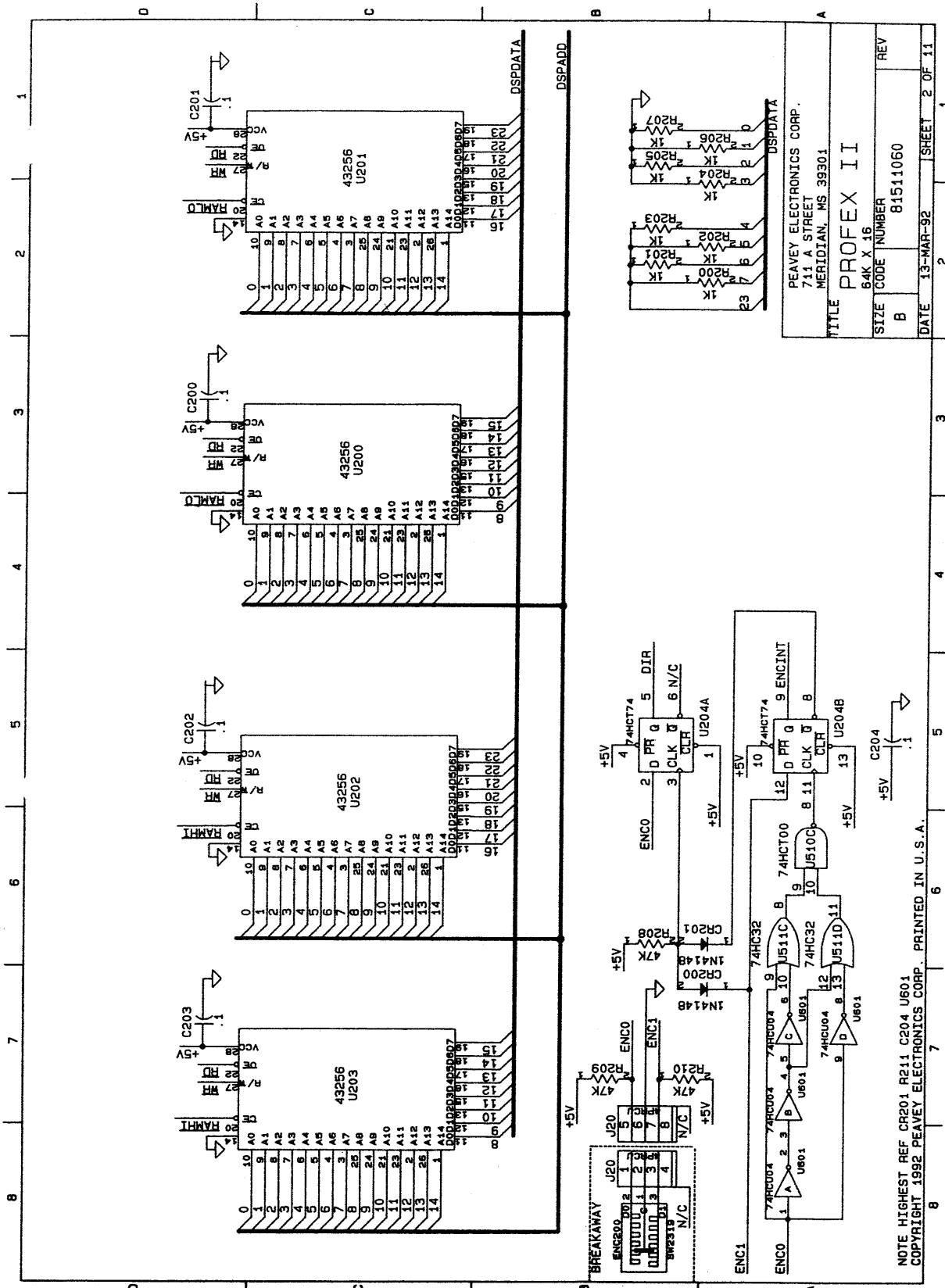


note: these pins must be connected to pin 7.

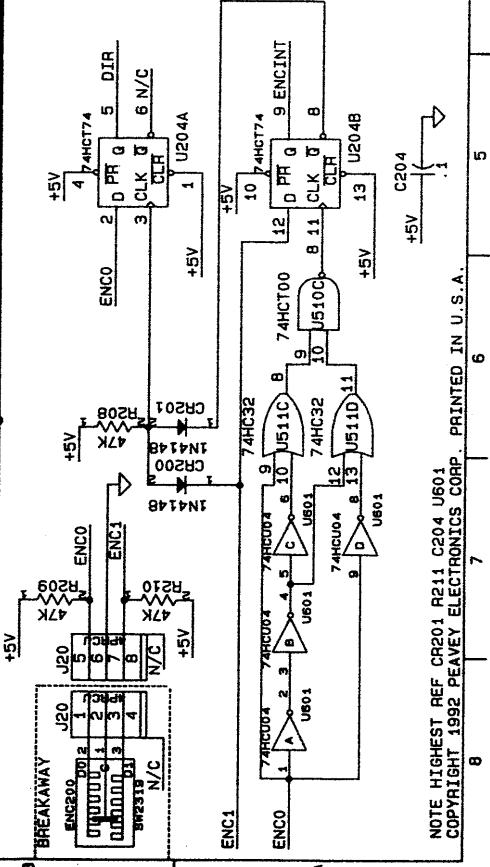
74HCU04 9 B N/C  
 U101D 74HCU04 10 N/C  
 U101E 74HCU04 12 N/C  
 U101F U101F 13

PEAVEY ELECTRONICS CORP. 714 A STREET MERIDIAN, MS 39301	
TITLE PROFEX II	
SIZE 56000	NUMBER 81511060
CODE B	REV
DATE 13-MAR-92	SHEET 1 OF 11

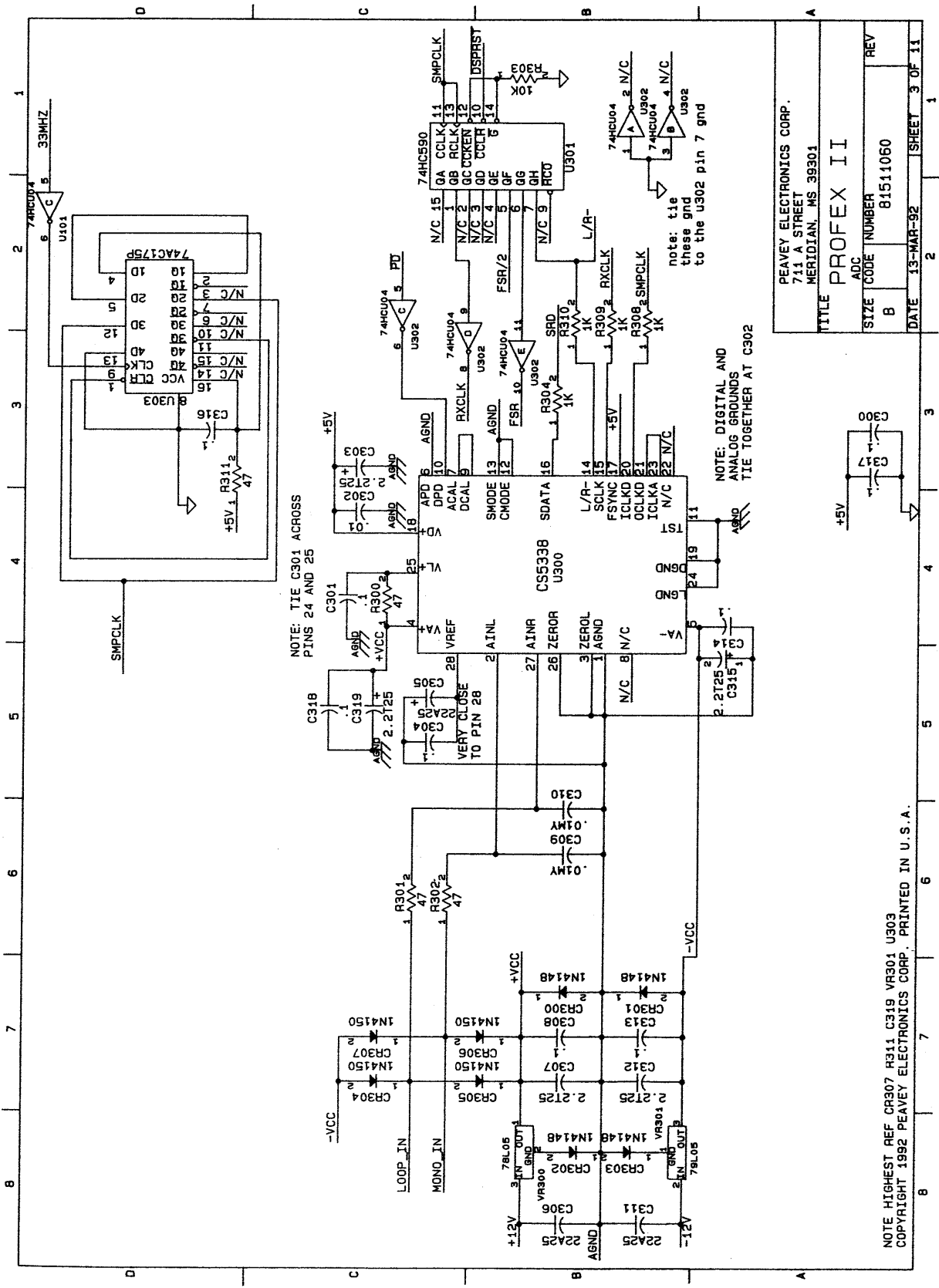
NOTE HIGHEST REF C111 R107 L100 U101  
 COPYRIGHT 1992 PEAVEY ELECTRONICS CORP., PRINTED IN U.S.A.



PEAVEY ELECTRONICS CORP. 711 A STREET MERIDIAN, MS 39301	
TITLE	PROFEX II
SIZE	64K X 16
CODE	B
NUMBER	81511060
REV	
DATE	13-MAR-92
SHEET	2 OF 11



NOTE HIGHEST REF CR201 R211 C204 U601  
 COPYRIGHT 1992 PEAVEY ELECTRONICS CORP. PRINTED IN U.S.A.

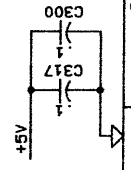


NOTE: TIE C301 ACROSS PINS 24 AND 25

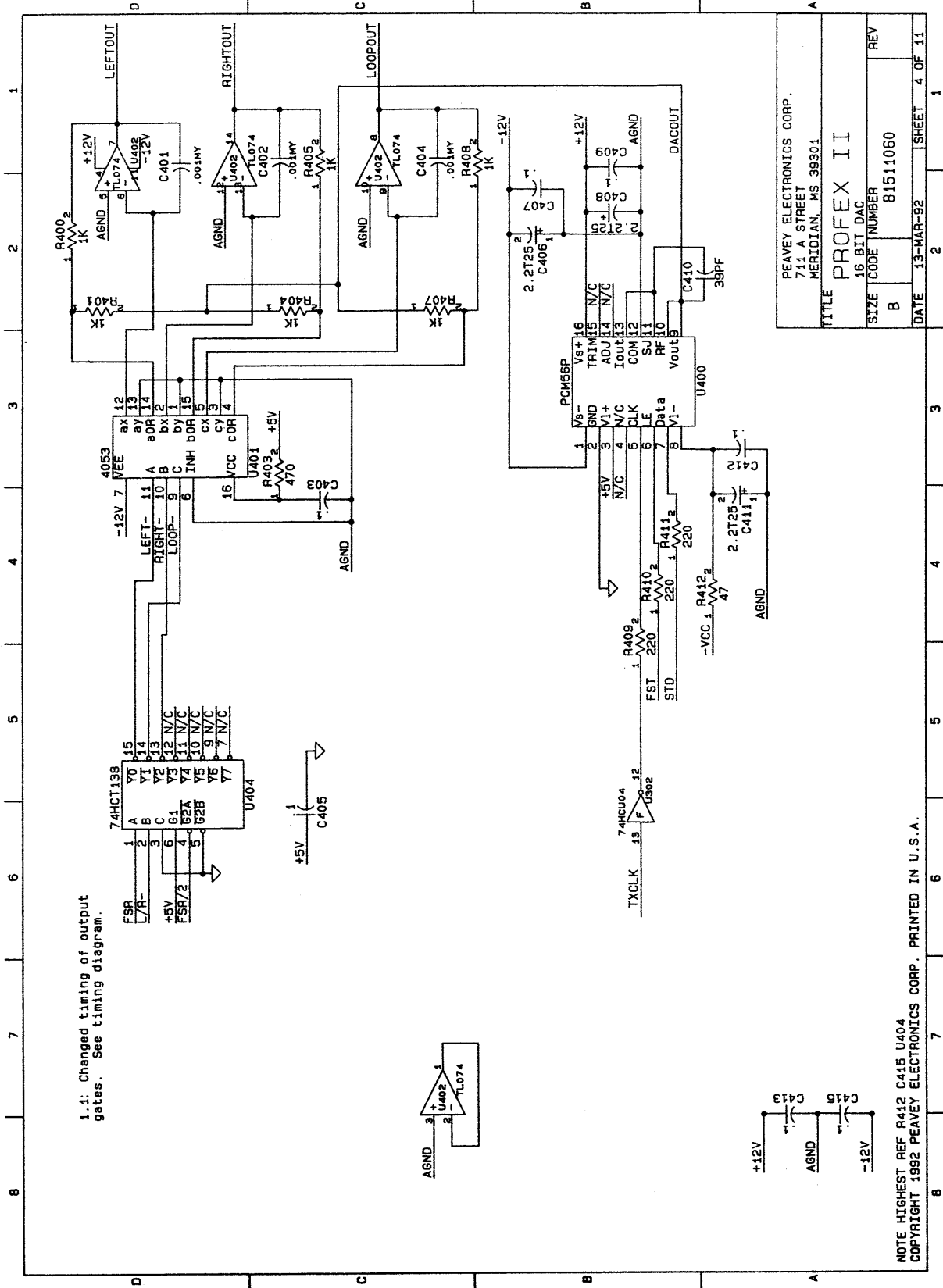
NOTE: DIGITAL AND ANALOG GROUNDS TIE TOGETHER AT C302

note: tie these and to the U302 pin 7 gnd

PEAVEY ELECTRONICS CORP. 711 A STREET MERIDIAN, MS 39301	
TITLE PROFEX II	
ADC	REV
SIZE CODE NUMBER	81511060
B	
DATE 13-MAR-92	SHEET 3 OF 11



NOTE HIGHEST REF CR307 R311 C319 VR301 U303  
COPYRIGHT 1992 PEAVEY ELECTRONICS CORP. PRINTED IN U.S.A.

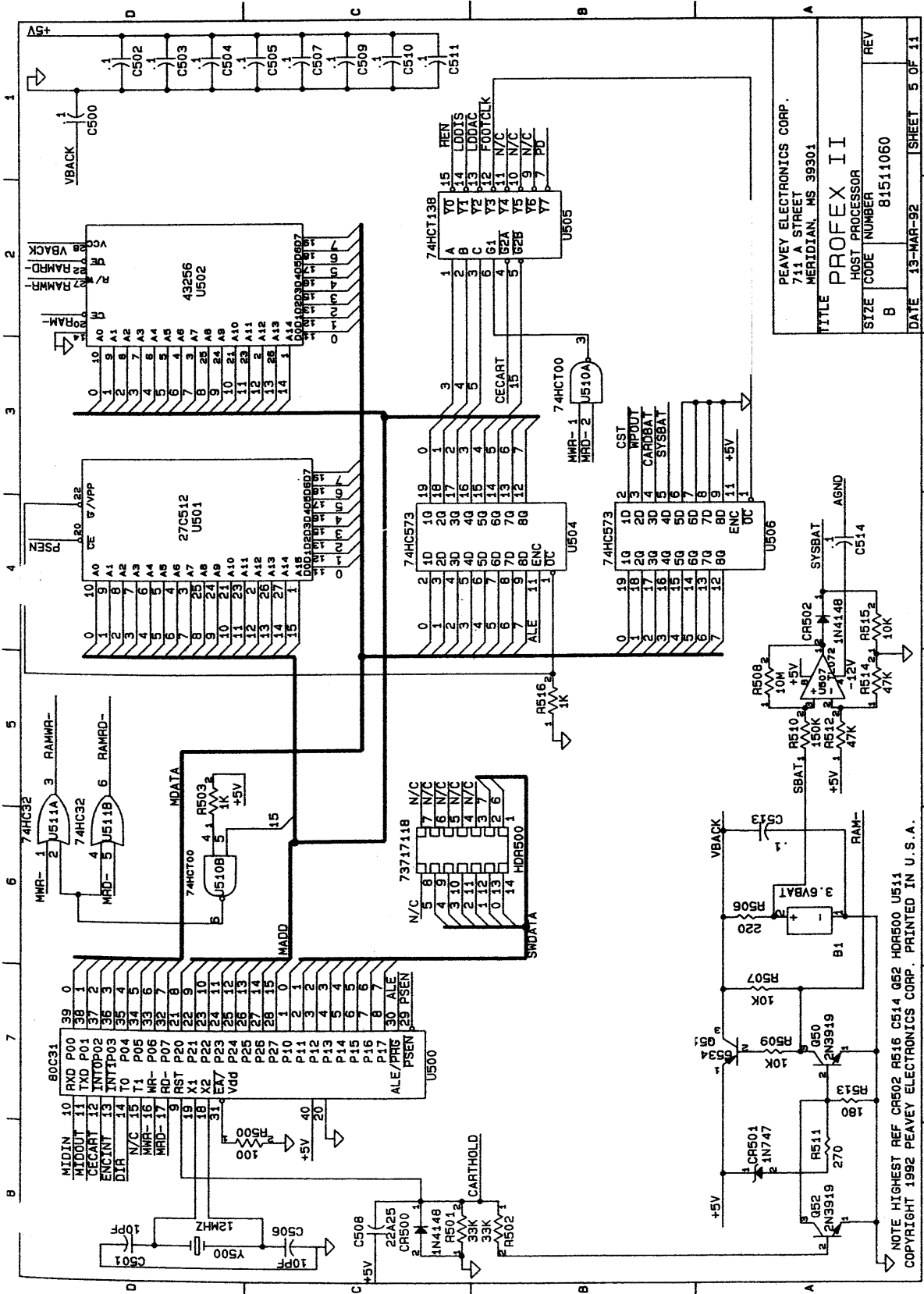


1.1: Changed timing of output gates. See timing diagram.

PEAVEY ELECTRONICS CORP.  
 711 A STREET  
 MERIDIAN, MS 39301

TITLE PROFEX II  
 SIZE 16 BIT DAC  
 CODE NUMBER B 81511060  
 DATE 13-MAR-92 SHEET 4 OF 11

NOTE HIGHEST REF R412 C415 U404  
 COPYRIGHT 1992 PEAVEY ELECTRONICS CORP. PRINTED IN U.S.A.



PEAVEY ELECTRONICS CORP.  
 711 A STREET  
 MERIDIAN, MS 39301

TITLE  
**PROFEX II**

HOST PROCESSOR

SIZE  
 B

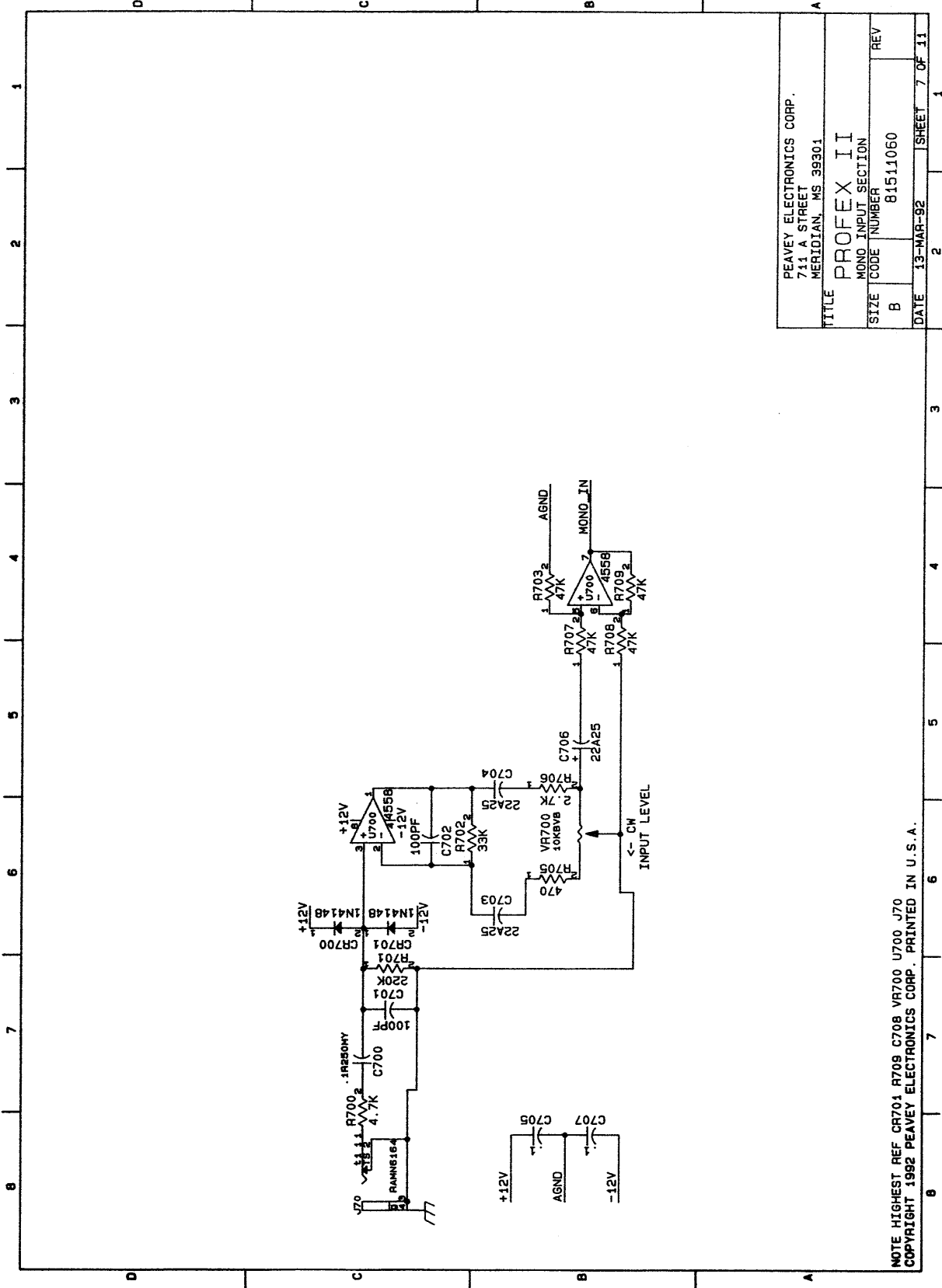
CODE NUMBER  
 81511060

REV

DATE 13-MAR-92 SHEET 5 OF 11

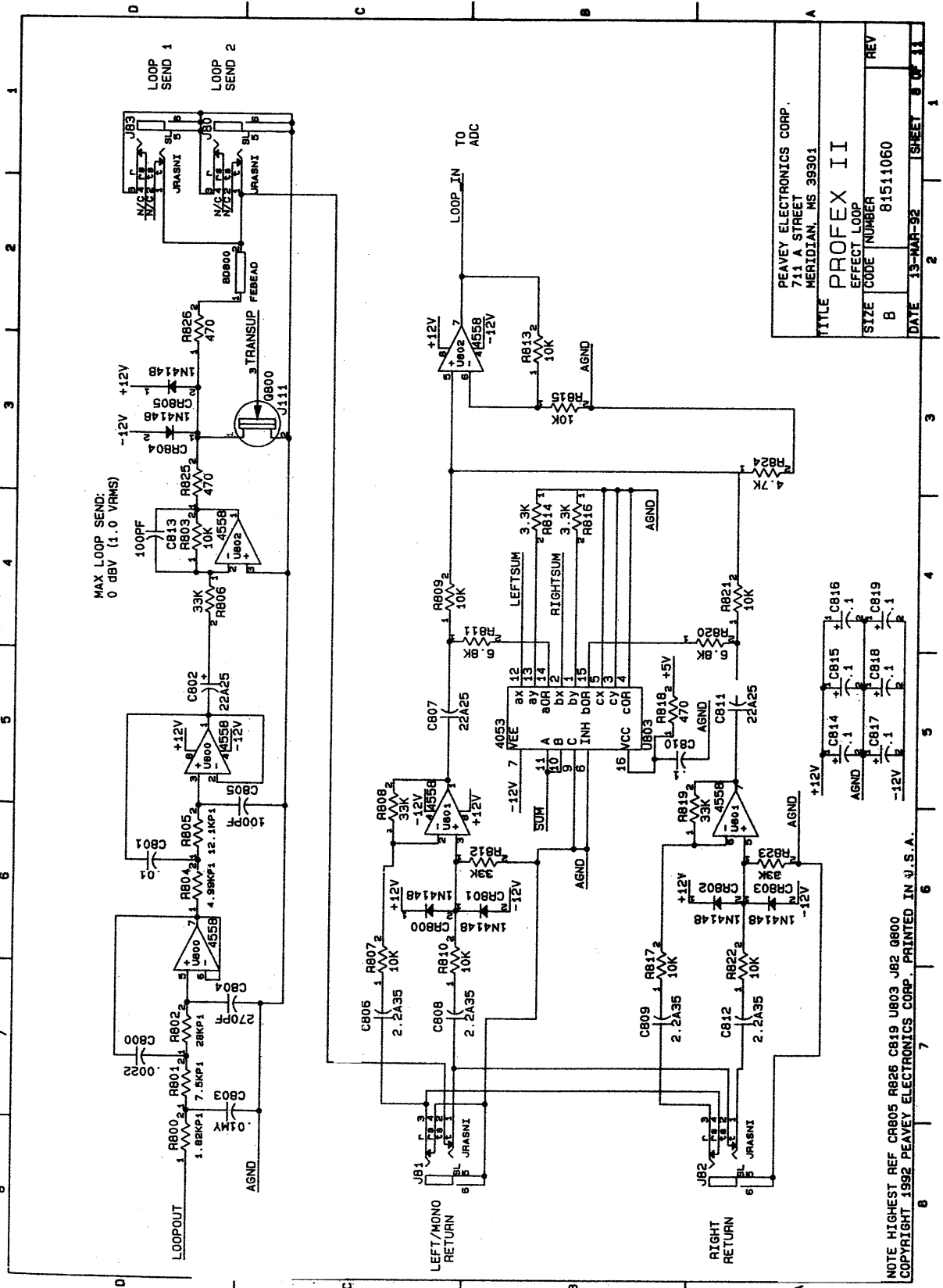
NOTE HIGHEST REF CR502 R516 C514 G52 HDR500 U511  
 COPYRIGHT 1992 PEAVEY ELECTRONICS CORP. PRINTED IN U.S.A.





PEAVEY ELECTRONICS CORP. 711 A STREET MERIDIAN, MS 39301	
TITLE PROFEX II	
MONO INPUT SECTION	REV
SIZE B	NUMBER 81511060
DATE 13-MAR-92	SHEET 7 OF 11

NOTE HIGHEST REF CR701 R709 C708 VR700 U700 J70  
 COPYRIGHT 1992 PEAVEY ELECTRONICS CORP. PRINTED IN U.S.A.

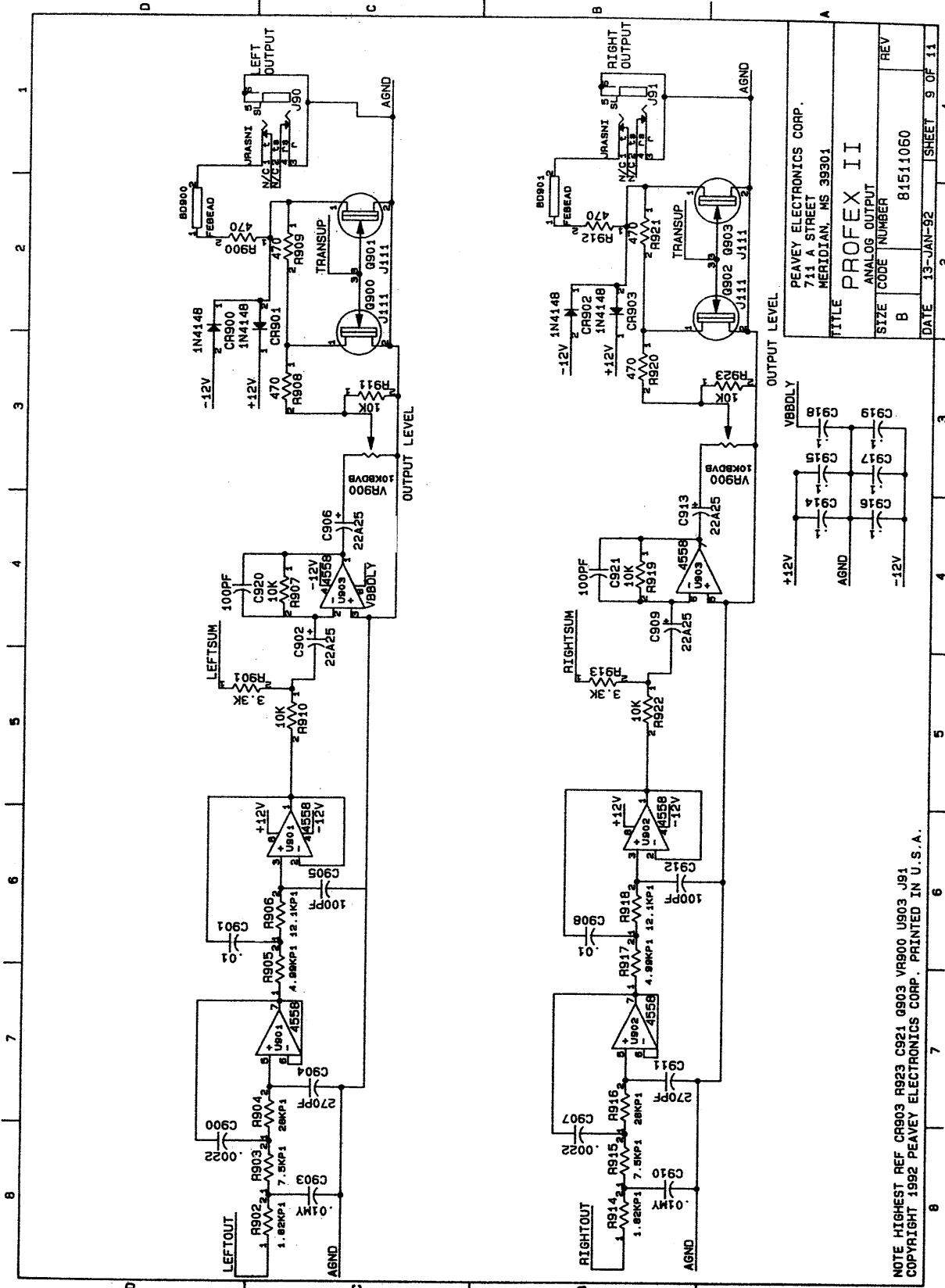


MAX LOOP SEND:  
0 dBV (1.0 VRMS)

PEAVEY ELECTRONICS CORP. 711 A STREET MERIDIAN, MS 39301	
TITLE <b>PROFEX II</b>	
EFFECT LOOP	REV
SIZE CODE NUMBER B	81511060
DATE 13-MAR-92	SHEET 8 OF 11

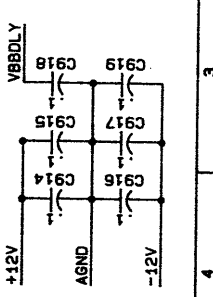
NOTE HIGHEST REF CR805 R826 C819 U803 J82 Q800  
COPYRIGHT 1992 PEAVEY ELECTRONICS CORP. PRINTED IN U.S.A.

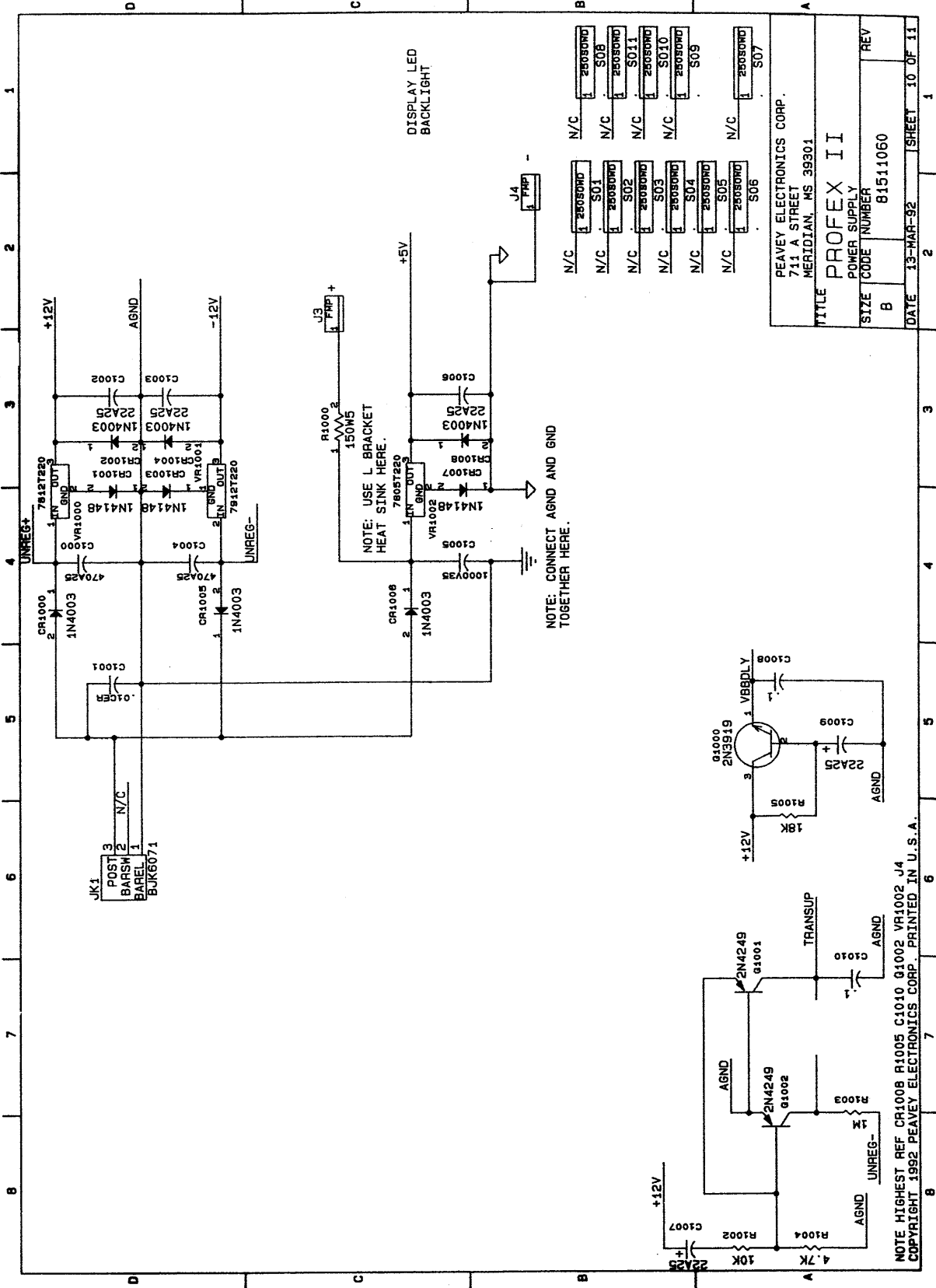




NOTE HIGHEST REF CR903 R923 C921 G903 VR900 U903 J91  
 COPYRIGHT 1992 PEAVEY ELECTRONICS CORP. PRINTED IN U.S.A.

PEAVEY ELECTRONICS CORP. 711 A STREET MERIDIAN, MS 39301	
TITLE PROFEX II	
SIZE B	ANALOG OUTPUT
CODE NUMBER	81511060
DATE 13-JAN-92	SHEET 9 OF 11





TITLE PROFEX II	
POWER SUPPLY	
SIZE	B
CODE	81511060
NUMBER	REV
DATE 13-MAR-92	
SHEET 10 OF 11	

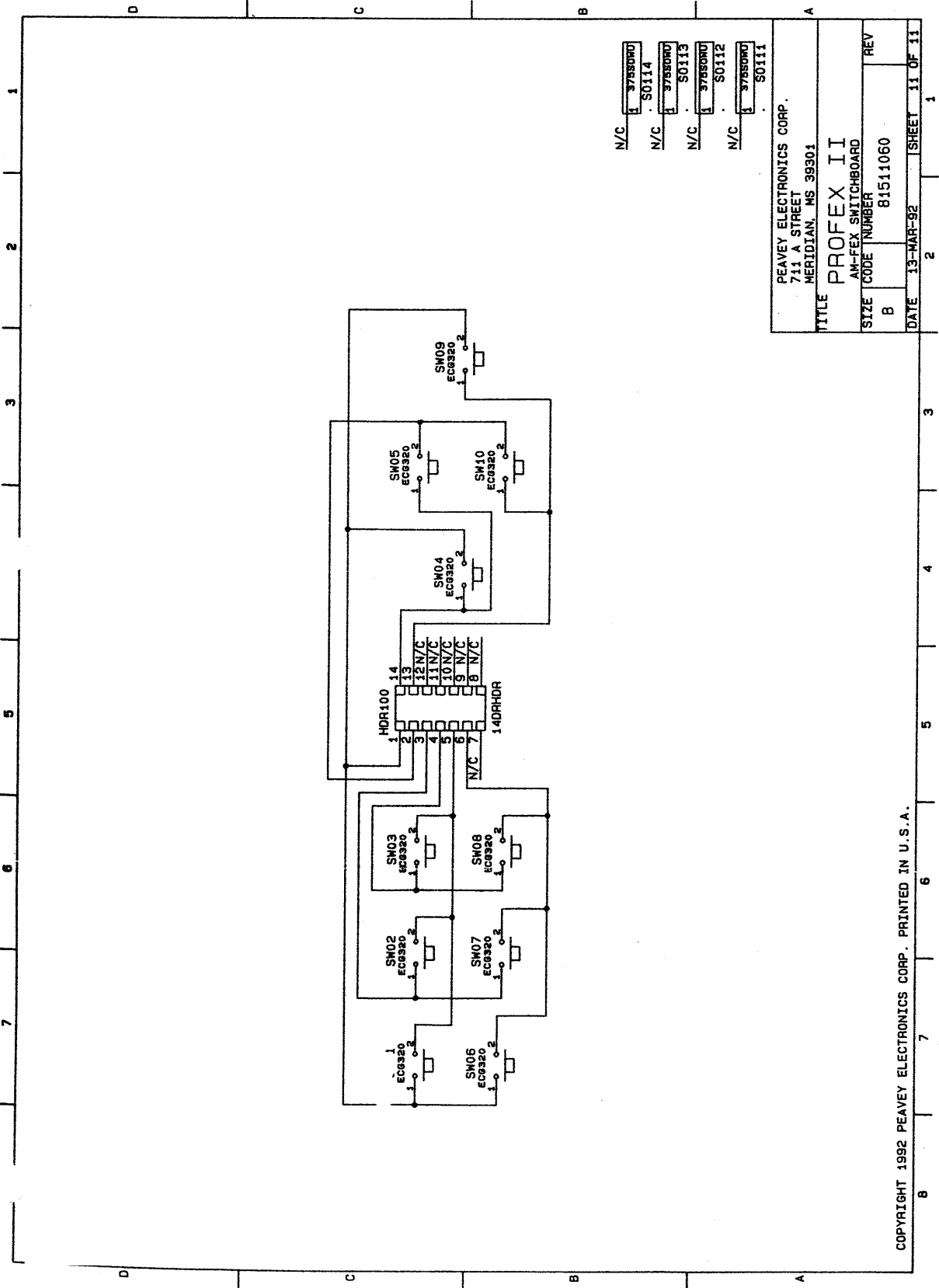
N/C	1	28050RND	S01
N/C	1	28050RND	S02
N/C	1	28050RND	S03
N/C	1	28050RND	S04
N/C	1	28050RND	S05
N/C	1	28050RND	S06
N/C	1	28050RND	S07
N/C	1	28050RND	S08
N/C	1	28050RND	S09
N/C	1	28050RND	S10
N/C	1	28050RND	S11
N/C	1	28050RND	S12
N/C	1	28050RND	S13
N/C	1	28050RND	S14
N/C	1	28050RND	S15
N/C	1	28050RND	S16
N/C	1	28050RND	S17
N/C	1	28050RND	S18
N/C	1	28050RND	S19
N/C	1	28050RND	S20

PEAVEY ELECTRONICS CORP.  
711 A STREET  
MERIDIAN, MS 39301

DISPLAY LED  
BACKLIGHT

NOTE: USE L BRACKET  
HEAT SINK HERE.

NOTE: CONNECT AGND AND GND  
TOGETHER HERE.



- N/C 1 3755000
- N/C . S0114
- N/C 1 3755000
- N/C . S0113
- N/C 1 3755000
- N/C . S0112
- N/C 1 3755000
- N/C . S0111

PEAVEY ELECTRONICS CORP. 711 A STREET MERIDIAN, MS 39301	
TITLE PROFEX II	
AM-FEX SWITCHBOARD	REV
SIZE B	CODE NUMBER 81511060
DATE 13-MAR-82	SHEET 11 OF 11

COPYRIGHT 1982 PEAVEY ELECTRONICS CORP. PRINTED IN U.S.A.

