

REVISION RECORD			
LTR	ECO NO.	APPROVED	DATE

D

D

C

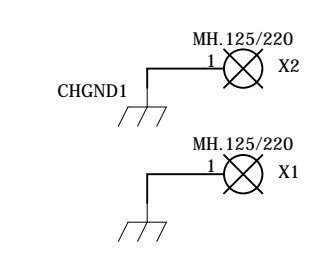
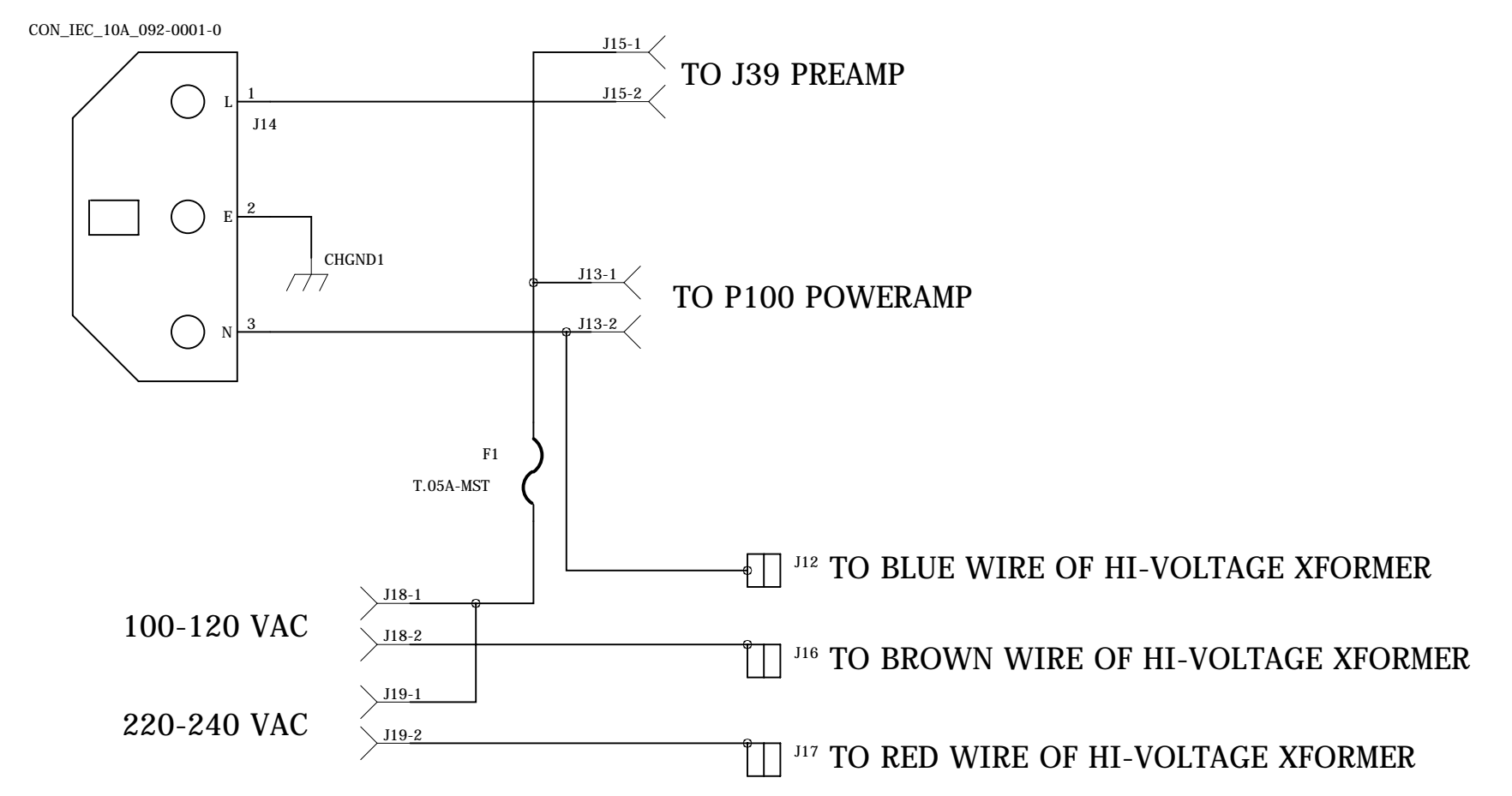
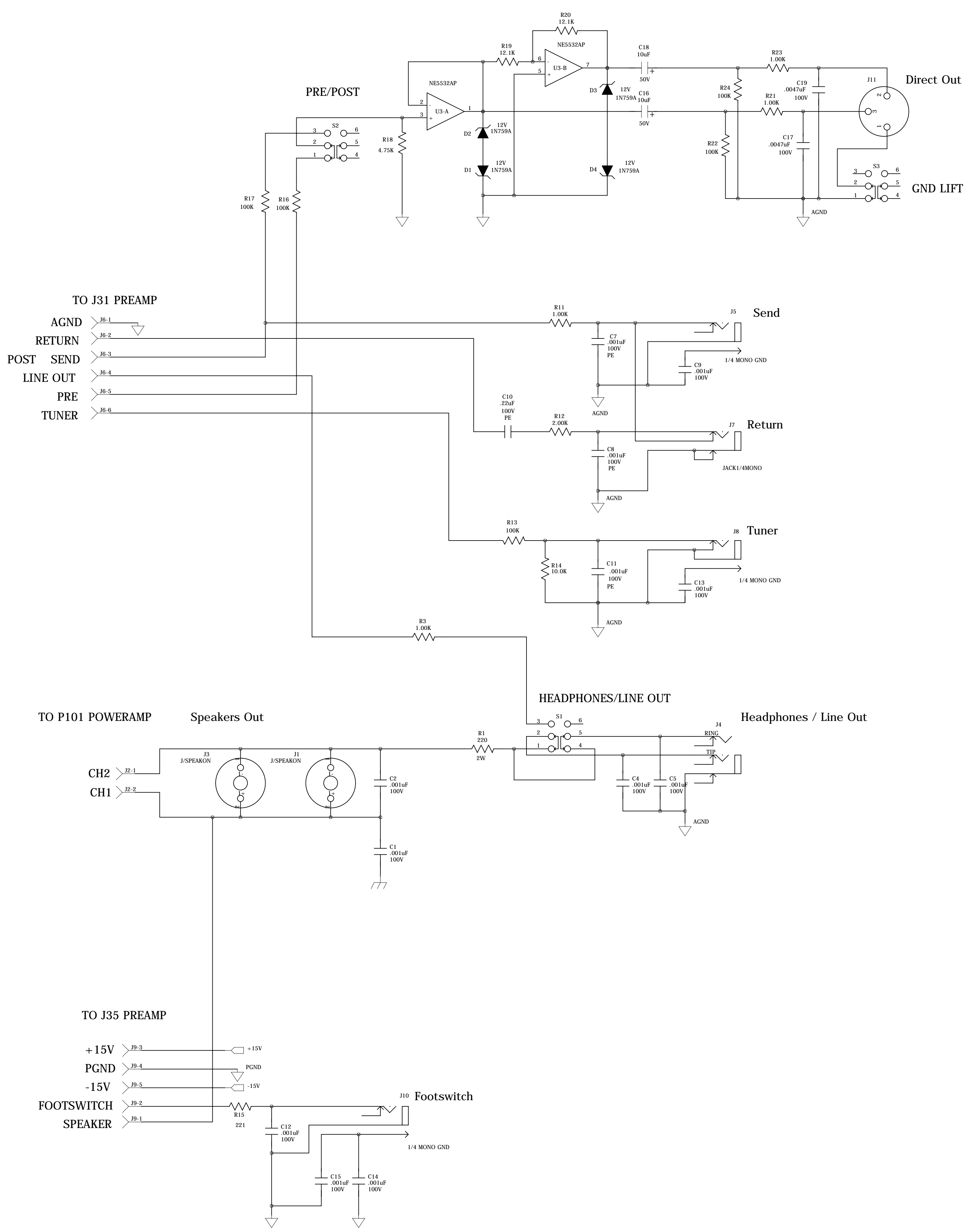
C

B

B

A

A



NOT VALID UNLESS STAMP IS RED

gallien

technology

2234 INDUSTRIAL DRIVE
STOCKTON CA. 95206
VOICE: 209-234-7300
FAX: 209-234-8420

NOTE: C0 1. REMOVE HOUSING TYPE CONNECTOR J12. 2. ADD 3 FASTON TYPE CONNECTOR J12, J16, J17 FOR HIGH VOLTAGE TRANSFORMER 3. ADD HOUSING TYPE CONNECTOR J18 & J19 FOR VOLTAGE SELECTION C1: ADDED FUSE F1		<table border="1" style="width: 100%; border-collapse: collapse;"> <thead> <tr> <th colspan="2">APPROVALS</th> <th colspan="2">TITLE:</th> </tr> <tr> <th>INIT</th> <th>DATE</th> <th>SIZE</th> <th>DRAWING NO:</th> </tr> </thead> <tbody> <tr> <td>DESIGNED: R.A.G.</td> <td>1-31-01</td> <td>B</td> <td>1206-0541-C1</td> </tr> <tr> <td>DRAWN: D.O.</td> <td>3/18/09</td> <td></td> <td>PART NO: 206-0541-C1</td> </tr> <tr> <td>ELEC:</td> <td></td> <td></td> <td>COMPANY: GALLIEN-KRUEGER</td> </tr> <tr> <td>MOD BY: D.O.</td> <td>1/13/10</td> <td></td> <td>FILENAME: 6541C1.SCH</td> </tr> <tr> <td>Q/A:</td> <td></td> <td></td> <td></td> </tr> <tr> <td>RELEASED:</td> <td></td> <td></td> <td></td> </tr> </tbody> </table>		APPROVALS		TITLE:		INIT	DATE	SIZE	DRAWING NO:	DESIGNED: R.A.G.	1-31-01	B	1206-0541-C1	DRAWN: D.O.	3/18/09		PART NO: 206-0541-C1	ELEC:			COMPANY: GALLIEN-KRUEGER	MOD BY: D.O.	1/13/10		FILENAME: 6541C1.SCH	Q/A:				RELEASED:			
APPROVALS		TITLE:																																	
INIT	DATE	SIZE	DRAWING NO:																																
DESIGNED: R.A.G.	1-31-01	B	1206-0541-C1																																
DRAWN: D.O.	3/18/09		PART NO: 206-0541-C1																																
ELEC:			COMPANY: GALLIEN-KRUEGER																																
MOD BY: D.O.	1/13/10		FILENAME: 6541C1.SCH																																
Q/A:																																			
RELEASED:																																			