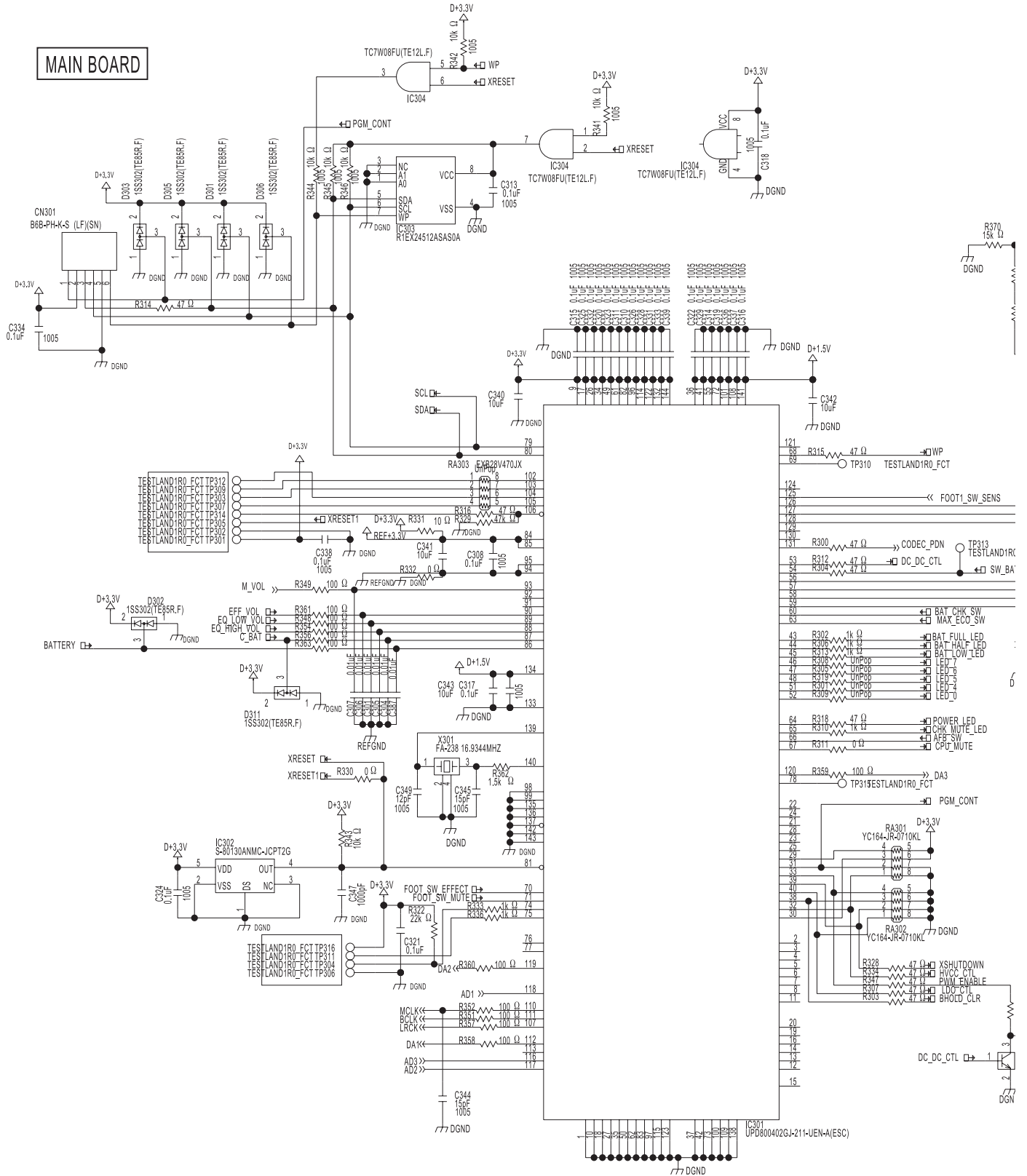
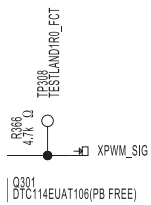
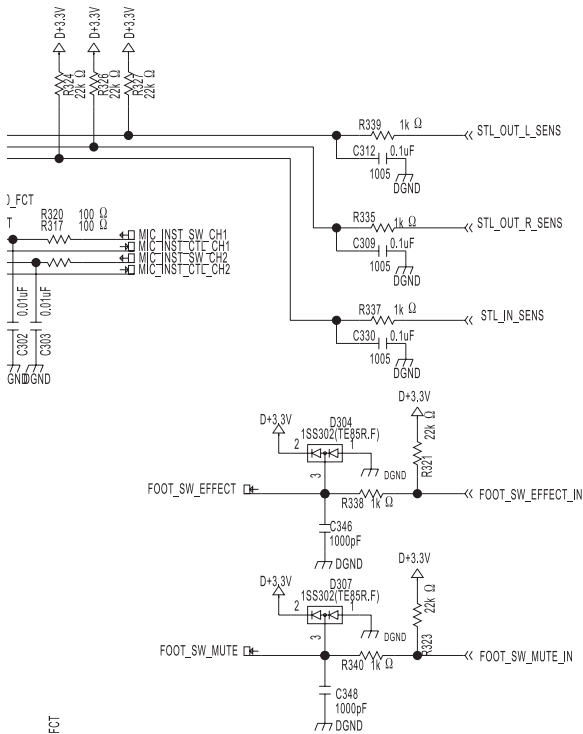
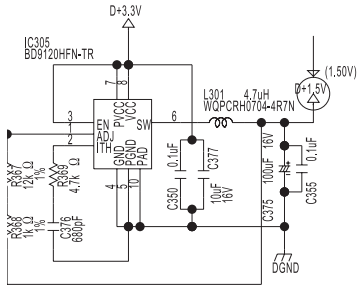
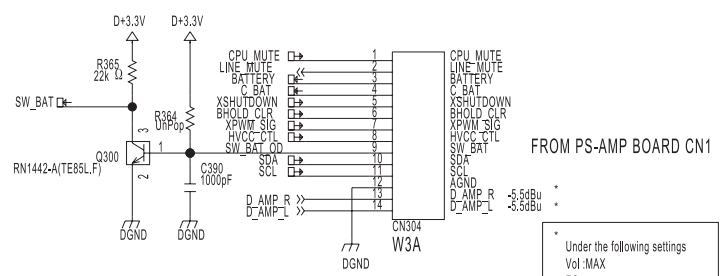
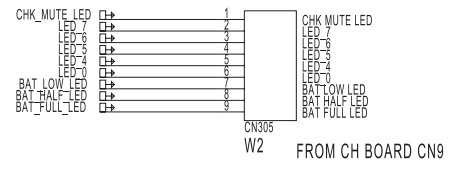
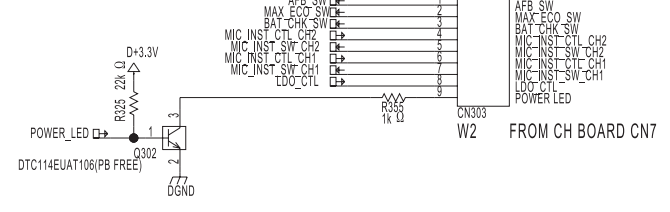
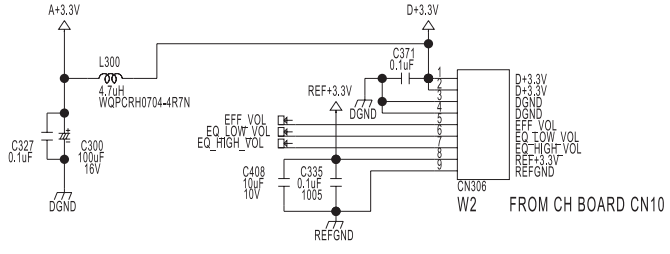


Circuit Diagram (Main Board: 1/2)

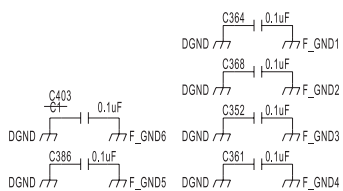




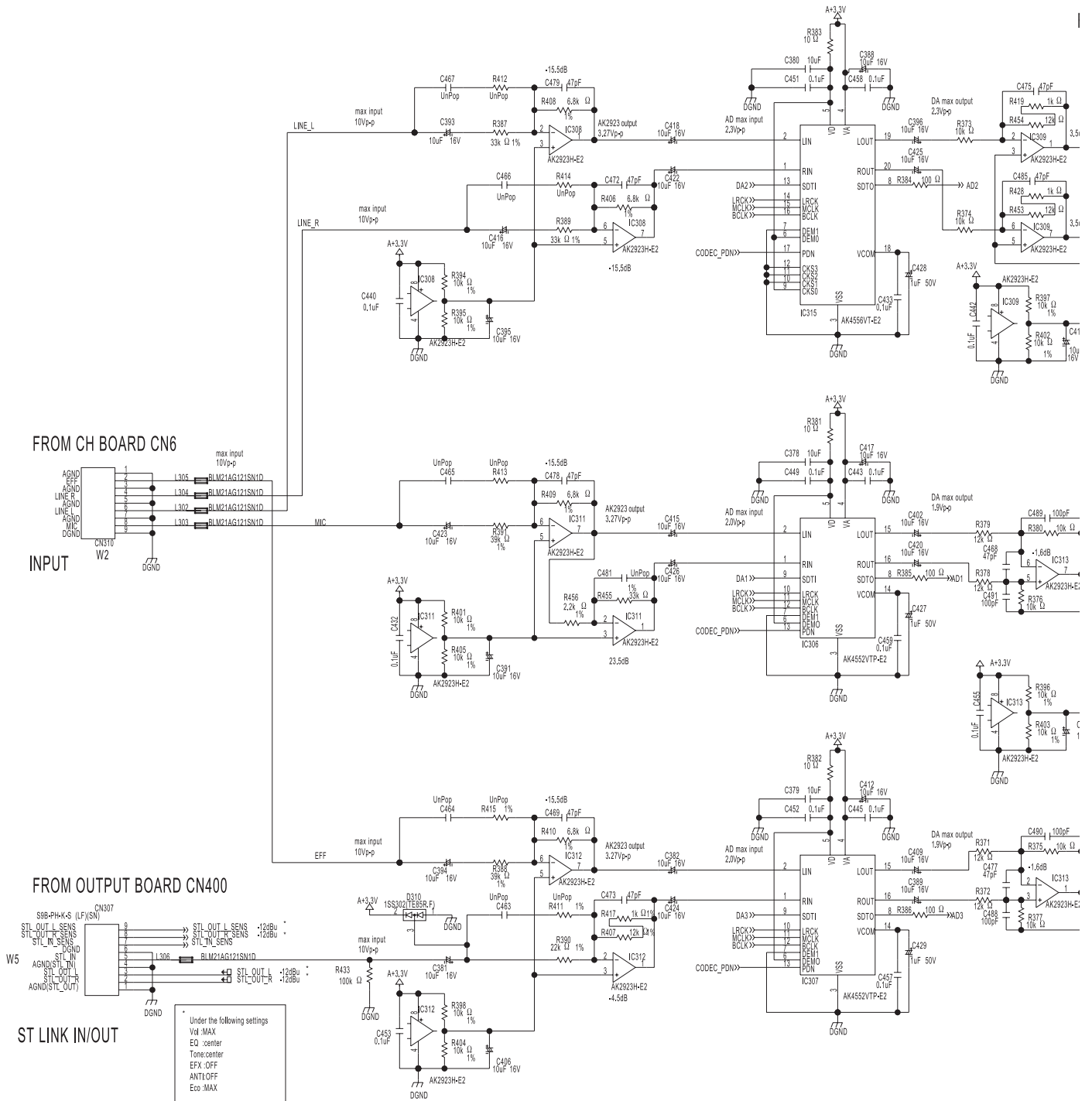
D

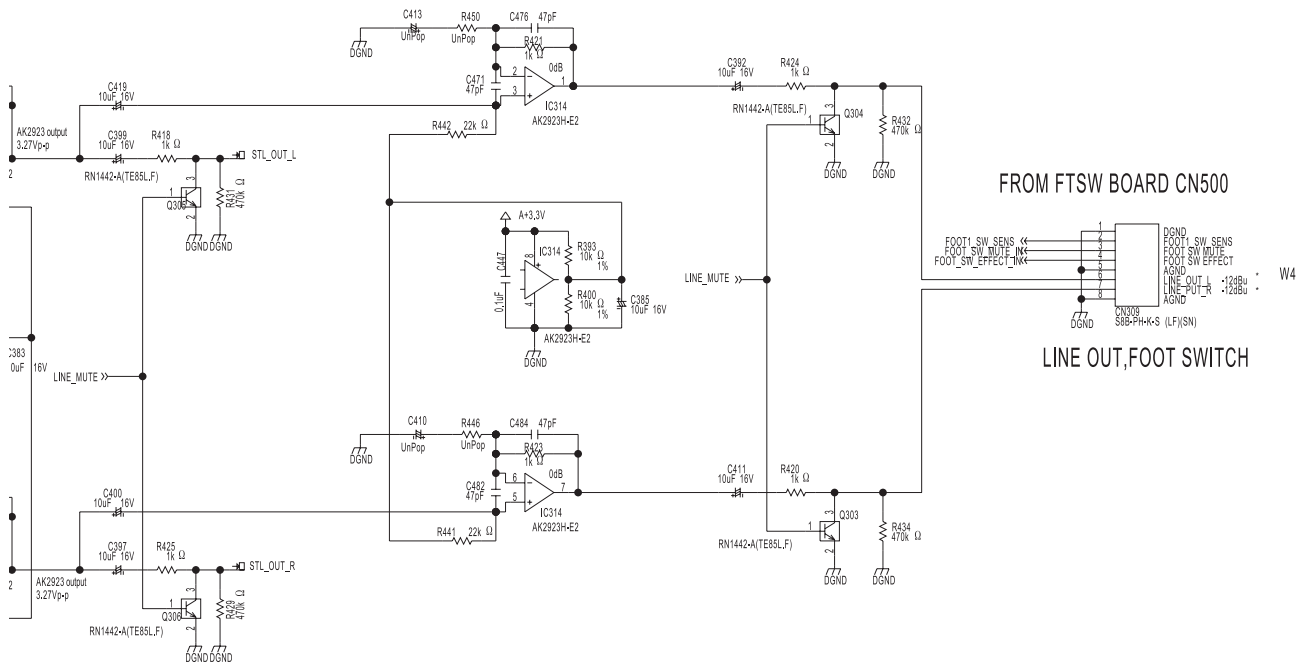
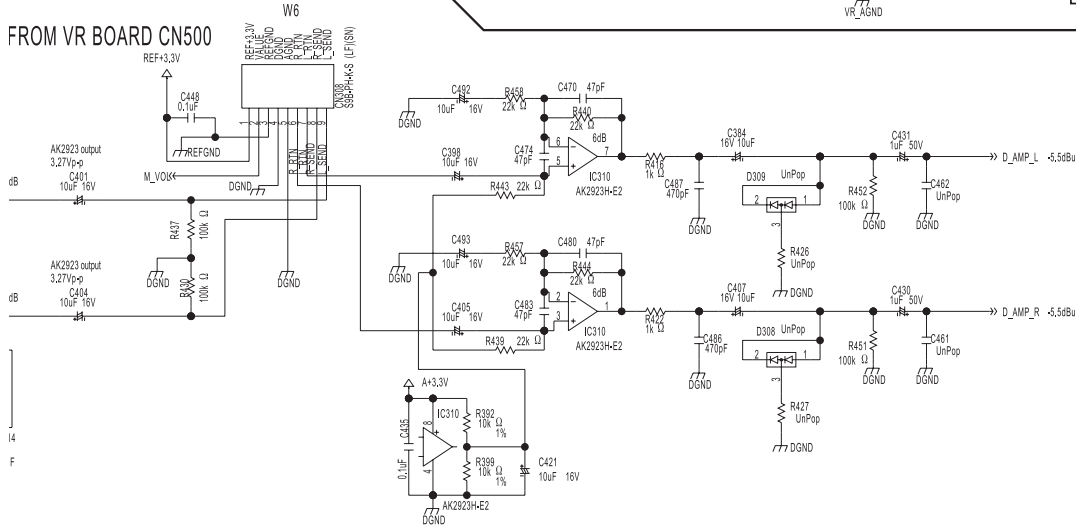
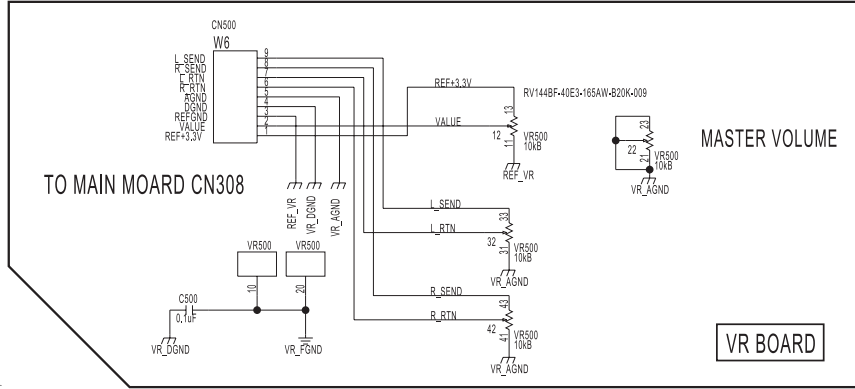


Under the following settings
 Vol:MAX
 EQ :center
 Tone:center
 EFX :OFF
 ANTI:OFF
 Eco :MAX

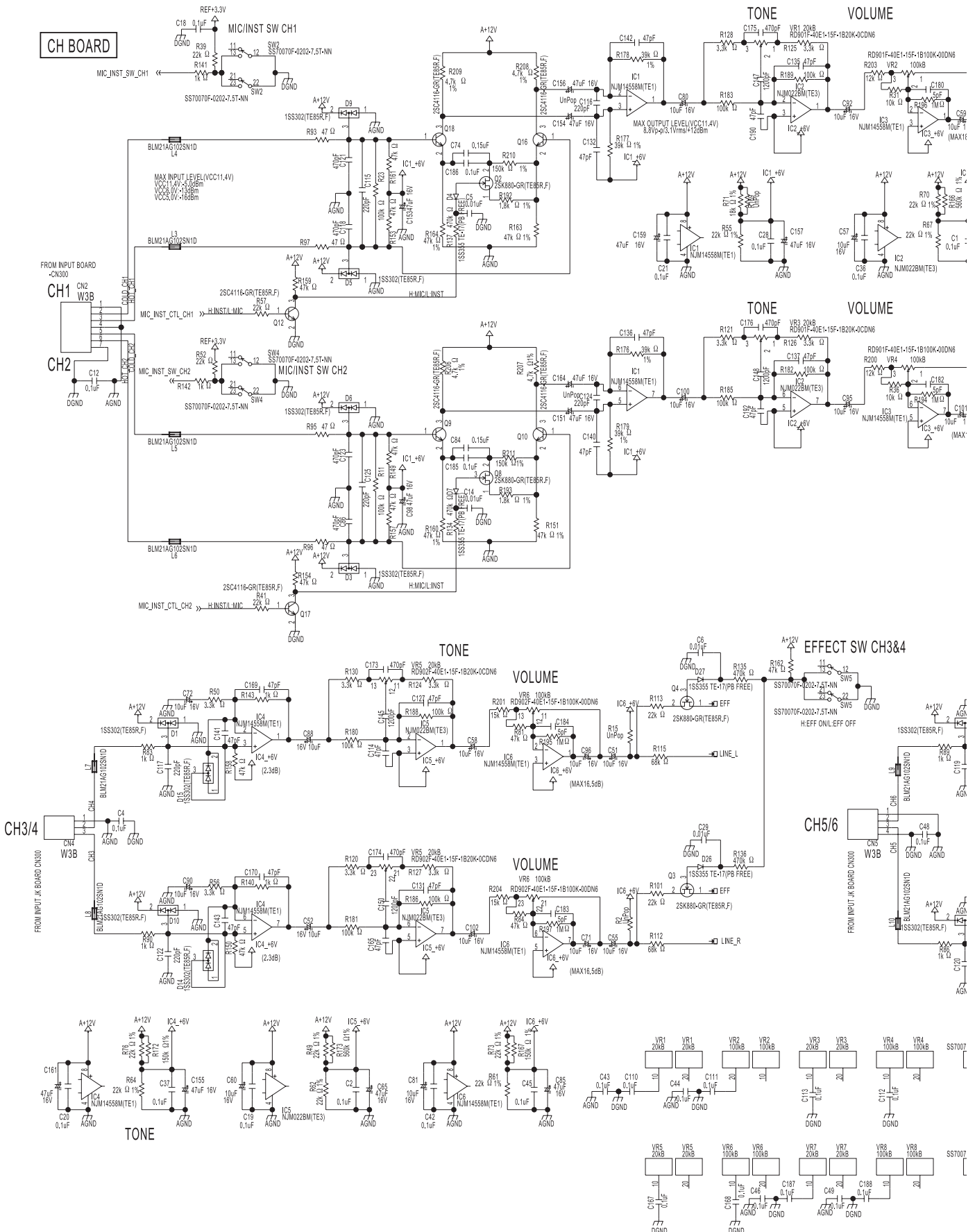


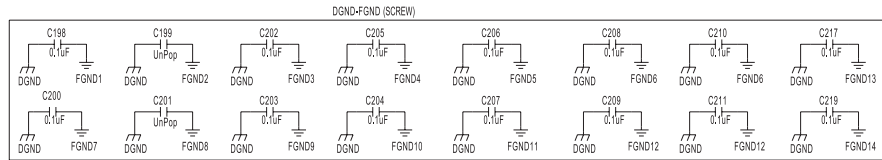
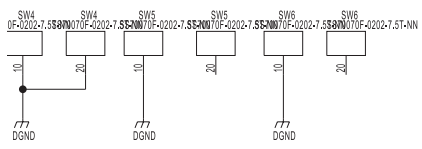
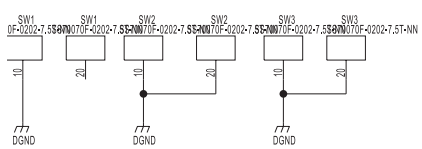
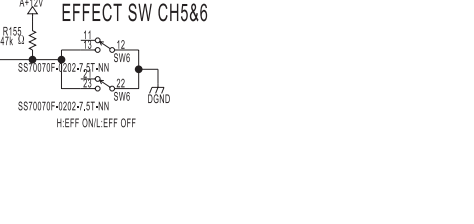
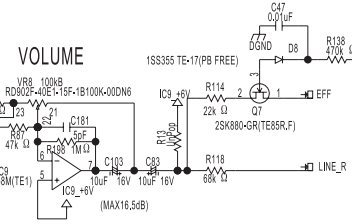
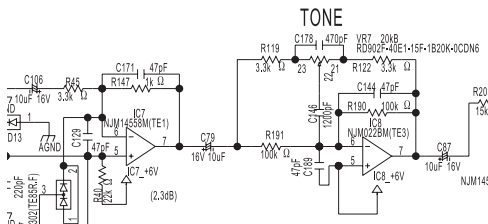
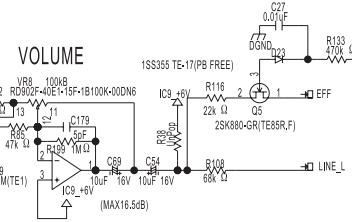
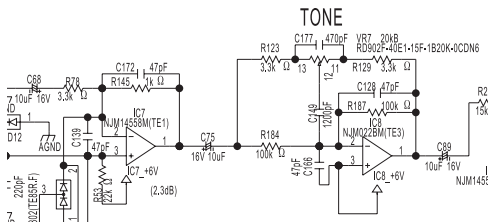
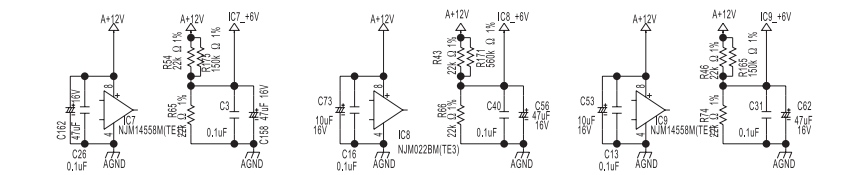
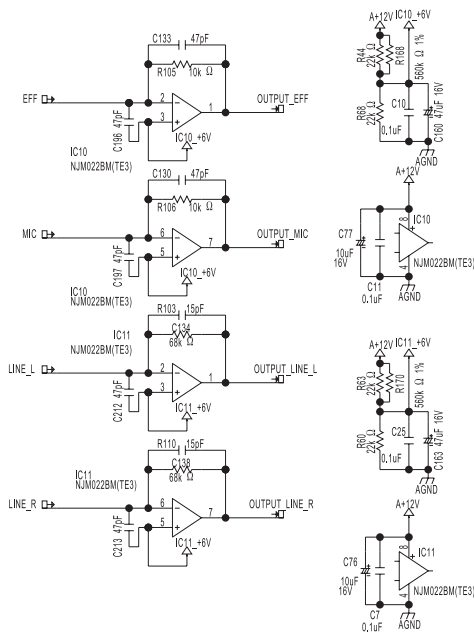
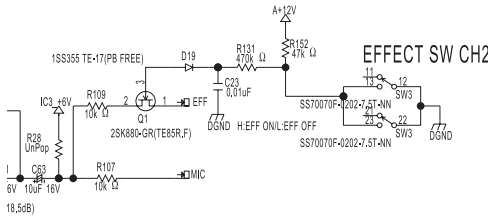
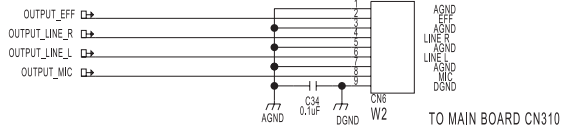
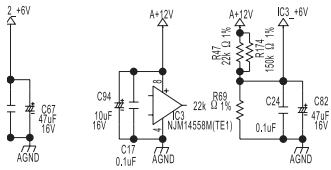
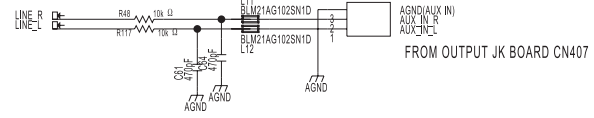
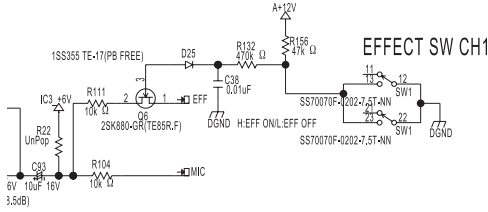
Circuit Diagram (Main Board: 2/2, VR Board)





Circuit Diagram (CH Board: 1/2)





Circuit Diagram (CH Board: 2/2)

