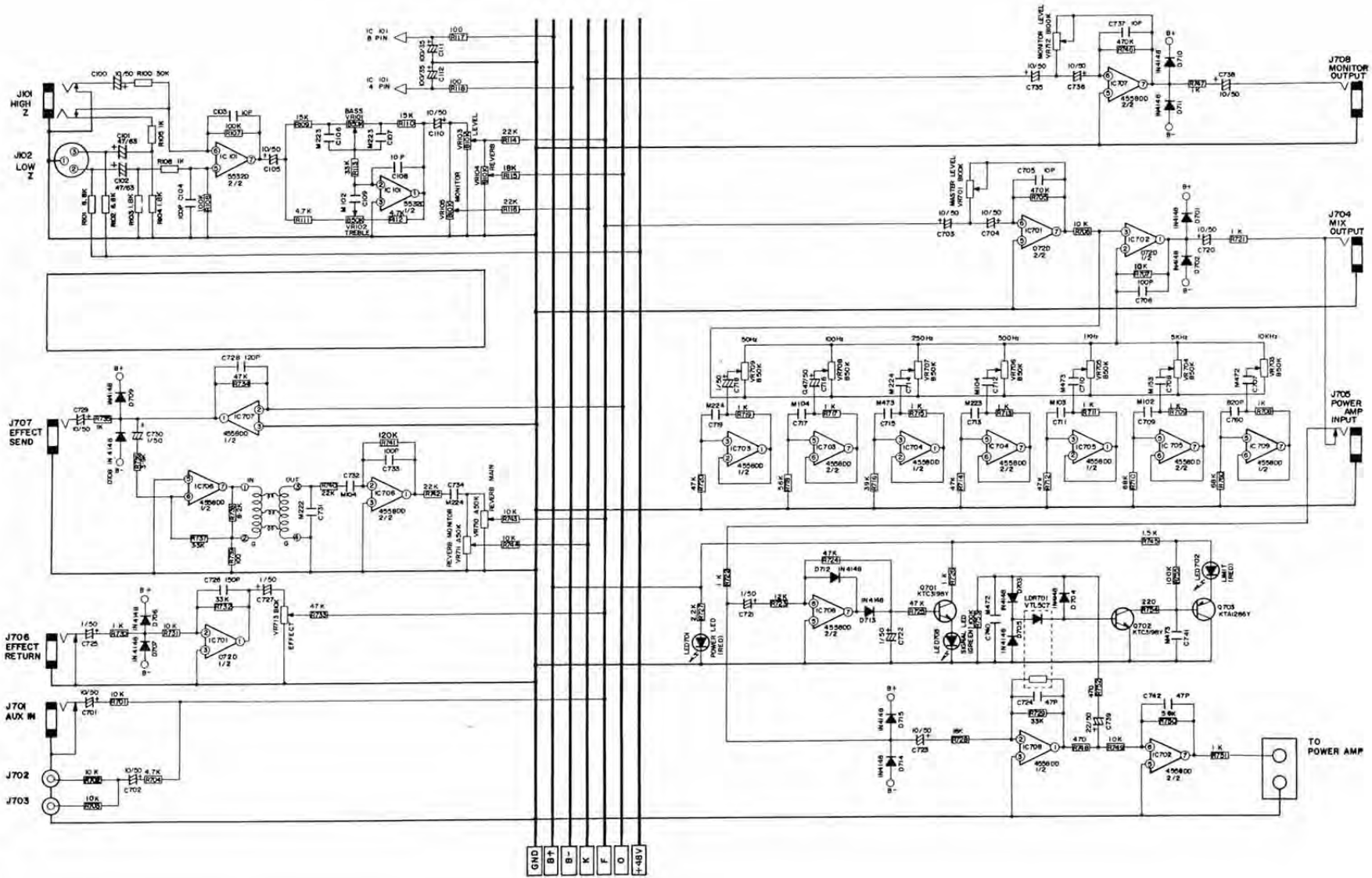
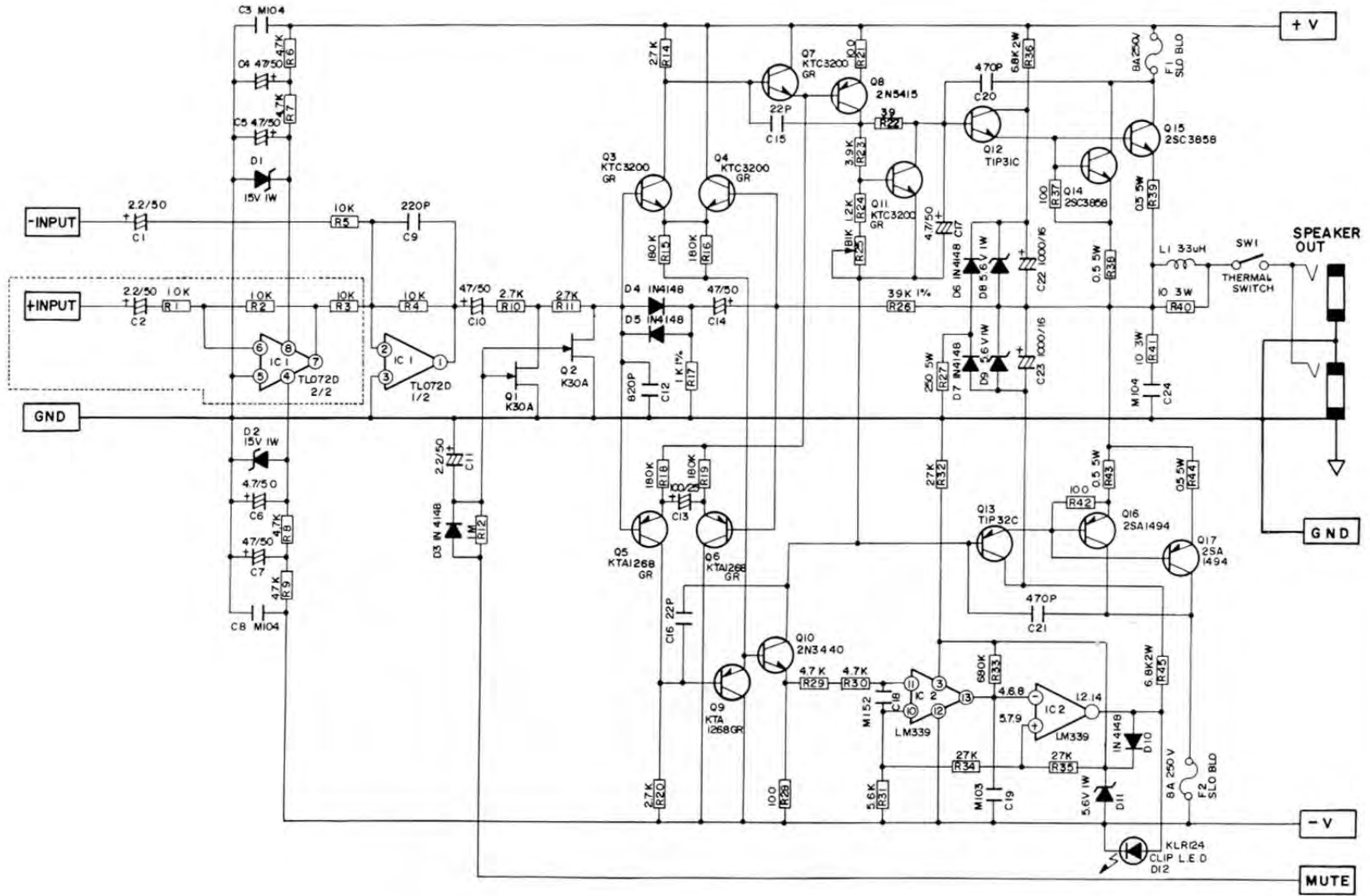


# INPUT AND MASTER



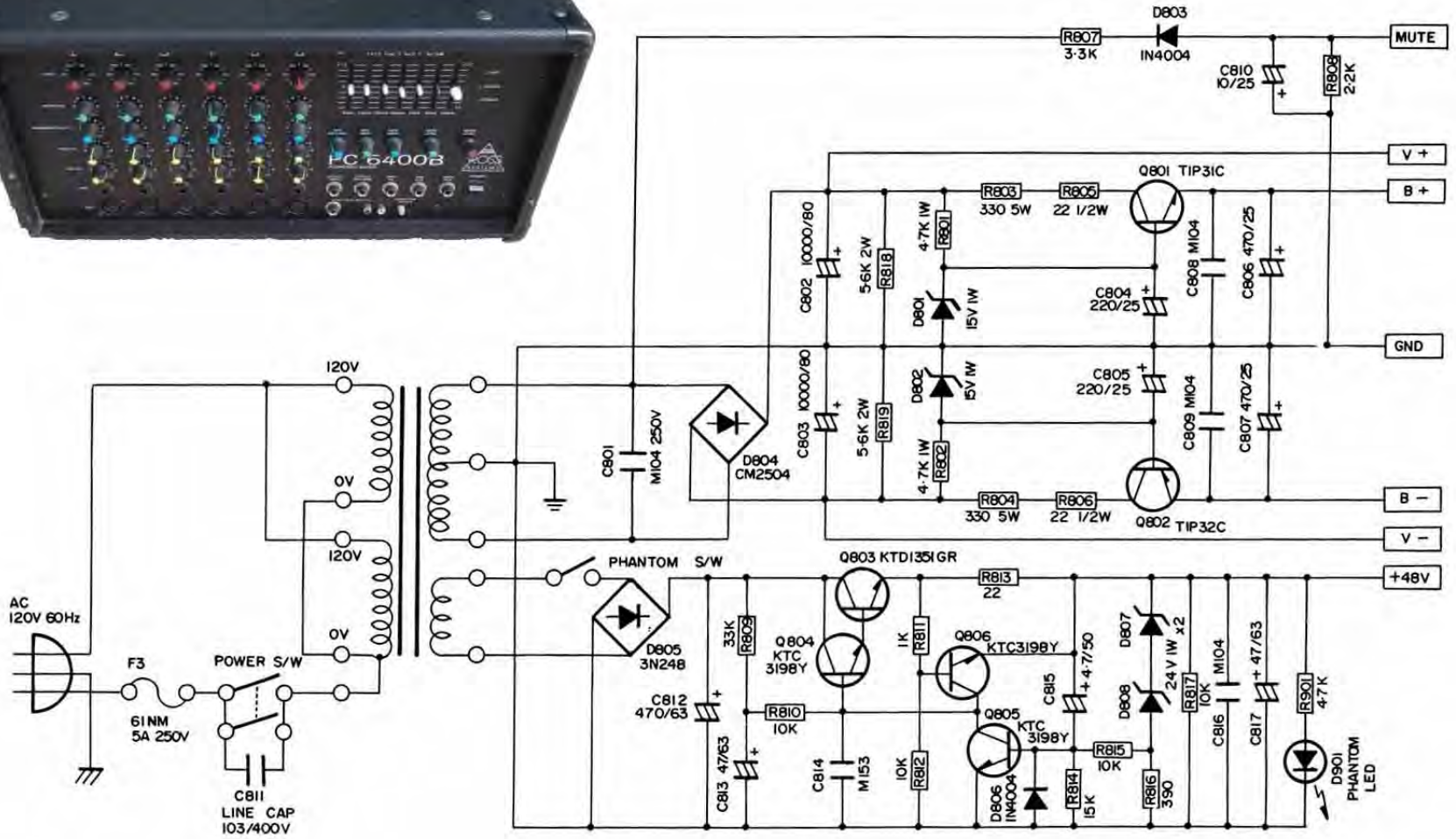
POWERED MIXER **PC6400B**

# POWER AMPLIFIER



POWERED MIXER **PC6400B**

# POWER SUPPLY



POWERED MIXER **PC6400B**

# PARTS LIST

## PC6400B CHANNEL PCB ASSY

### I.M.C.

PART #		COMPONENT #
REI00500	I.C. OP AMP 5532D	IC101
REJ00920	Phone Jack 3SPCMTI RCS	J101
REJ01420	XLR Female RCS	J102
REV00700	VR Rotary B10K	VR103, 104, 105
REV01600	VR Rotary B50K	VR101, 102
REC16350	Capacitor, 10MFD 50V EL-RD	C100, 105, 110
REC18750	Capacitor, 47MFD 63V EL-RD	C101, 102
REC19800	Capacitor, 100MFD 35V EL-RD	C111, 112
REC05505	Capacitor, 1NFD M102 50V	C109
REC12005	Capacitor, .22MFD M224 50V	C106, 107
REC00600	Capacitor, 10PFD CER	C103, 108
REC02200	Capacitor, 100PFD CER	C104

## PC6400B MASTER PCB ASSY

REI00100	I.C. OP AMP 072D	IC701, 702
REI00400	I.C. OP AMP 4558	IC703-708
RET03432	Transistor, KTA 1266	Q703
RET02860	Transistor, 2SC3198L	Q701, 702
RED02100	LED, Red Round 3MM	LED701, 702
RED02020	LED, Green Round 3MM	LED703
REI00620	IC OPTO Isolator VTL5C7	LDR701
REJ01050	Phone Jack, 5SCHMTI	J701, 704-708
REV01520	VR Rotary A50K 6400B	VR710, 711
REV00810	VR Rotary B10K 6400B	VR713
REV02520	VR Rotary B100K 6400B	VR701, 712
REV03860	VR Slide B50K 6400B	VR703-709
REC12400	Capacitor, .47MFD 50V EL-RD	C716
REC13000	Capacitor, 1MFD 50V EL-RD	C718, 721, 722, 725, 727, 730
REC16500	Capacitor, 10MFD 50V EL-RD	C701-704, 720, 723, 729, 735, 736, 738
REC17400	Capacitor, 22MFD 50V EL-RD	C739
REC05505	Capacitor, 1NFD M102 50V	C709
REC06600	Capacitor, 2.2NFD PFILM	C731
REC07000	Capacitor, 4.7NFD PFILM	C740
REC08600	Capacitor, 10NFD MYLAR	C711
REC08900	Capacitor, 15NFD PFILM	C708
REC09400	Capacitor, 22NFD PFILM	C707, 713
REC10100	Capacitor, 47NFD PFILM	C710, 715, 741
REC11300	Capacitor, .1MFD MYLAR	C712, 717, 732
REC12005	Capacitor, .22MFD M224 50V	C714, 719, 734
REC00600	Capacitor, 2.2NFD PFILM	C705, 737
REC01600	Capacitor, 46PFD CER	C724, 742
REC02200	Capacitor, 100PFD CER	C706, 733
REC02600	Capacitor, 120PFD CER	C728
REC03000	Capacitor, 150PFD CER	C726

## PC6400B RCA PCB ASSY

REJ01310	RCA Jack, 6400B	J702, 703
RES01120	Switch, Push RCS	Phantom Sw.
RED02100	LED, Red Round 3MM	D901

## PC6400B MAIN PCB ASSY

REI00100	I.C. OP AMP 072D	IC101
REI00175	I.C. Comparator LM339	IC102
RET03433	Transistor, KTA1268GR	Q105, 106, 109
RET01100	Transistor, 2SA1494	A116, 117
RET03800	Transistor, 2N5415	Q108
RET04200	Transistor, TIP32C	Q113
RET03437	Transistor, KTC 3200GR	Q103, 104, 107, 111
RET03000	Transistor, 2SC3858	Q114, 115
RET03700	Transistor, 2N3440	Q110
RET04100	Transistor, TIP31C	Q112
RET03410	Transistor, K30A	Q101, 102
RED01600	Diode, 1N4148	D103-107, 110
RED00400	Diode, Zener 15V 1 watt	D101, 102

### I.M.C.

PART #		COMPONENT #
RED00100	Diode, Zener 5.6V 1 watt	D108, 109, 111
RED02100	LED, Red Round 3MM	D112
REV05620	VR Rotary Trimptot B1K MA8B	R125
RHW00345	Connector, Con 103 MA8B	CON103, 106
RHW00355	Connector, Con 104 MA8B	CON104
RHW00330	Connector, Pin, TPI, 2 MA8B	TP101, 102
RER27550	Resistor, .5 ohm 5 watt	R138, 139, 143, 144
RER32900	Resistor, 250 ohm 5 watt	R127
RER30300	Resistor, 10 ohm 3 watt	R140, 141
RER33900	Resistor, 6.8K ohm 2 watt	R136, 145
REC13750	Capacitor, 2.2MFD 50V EL-RD	C101, 111
REC15300	Capacitor, 4.7MFD 50V EL-RD	C105, 106, 110, 117
REC18700	Capacitor, 47MFD 50V E-RD	C104, 107, 114
REC19500	Capacitor, 100MFD 25V EL-RD	C113
REC22200	Capacitor, 1,000MFD 16V EL-RD	C122, 123
REC05800	Capacitor, 1.5NFD PFILM	C118
REC08200	Capacitor, 10NFD PFILM	C119
REC11320	Capacitor, .1MFD M104 100V	C103, 108, 124
REC01100	Capacitor, 22PFD CER	C115, 116
REC03500	Capacitor, 220PFD CER	C109
REC04300	Capacitor, 470PFD CER	C120, 121
REC04960	Capacitor, 820PFD CER	C112
RCI00100	Inductor, 3.3UH Power amp coil	L101
REF02300	Fuse Holder 30MM PC.MT	
REF00920	Fuse 8A 250V	Fuse 101, 102

## PC6400B PSU PCB ASSY

RET04200	Transistor, TIP32C	Q802
RET03420	Transistor, KTD1351 NPN	Q803
RET02860	Transistor, 2SC3198L	Q804, 805, 806
RET04100	Transistor, TIP31C	Q801
RED01700	Diode, 1N4004	D803, 806
RED00400	Diode, Zener 15V 1 watt	D801, 802
RED00600	Diode, Zener 24V 1 watt	D807, 808
RED01159	Bridge Rectifier, 3N248 6400B	D805
RER33120	Resistor, 330 ohm 5 watt	R803, 804
RER33850	Resistor, 5.6K ohm 2 watt	R818, 819
RER33690	Resistor, 4.7K ohm 1 watt	R801, 802
REC15300	Capacitor, 4.7MFD 50V EL-RD	C815
REC16200	Capacitor, 10MFD 25V EL-RD	C810
REC18750	Capacitor, 47MFD 63V EL-RD	C813, 817
REC20800	Capacitor, 220MFD 25V EL-RD	C804, 805
REC21700	Capacitor, 470MFD 25V EL-RD	C806, 807
REC21900	Capacitor, 470MFD 63V EL-RD	C812
REC25500	Capacitor, 10,000MFD 80VVV EL	C802, 803
REC08920	Capacitor, 15NFD 100V M153	C814
REC11310	Capacitor, .1MFD 50V M104	C808, 809
REC11320	Capacitor, .1MFD M104 100V	C816
REC11340	Capacitor, .1MFD 250V A C	C801

## PC6400B FINAL ASSEMBLY

RTX02060	Transformer, 6400B 120/240V	Power Transformer
RTX02050	Transformer, 6400B 110/220V	Power Transformer
REF01300	Fuse Holder	
RED01160	Bridge Rectifier SB252 MA80016	D804
RES00200	Switch, Rocker	Power on/off
RES01200	Switch, Thermal 110 degree C	SW101
RPC00100	Power Cord A.C. 3 cond open 1	AC120V
REC05205	Capacitor, .01MFD 400V AC LINE	C811
RSR00250	Reverb Unit, BS3FB2C1B 6400B	
RSK01202	Knob, VR Soft Blue	
RSJ01203	Knob, VR Soft Red	
RSK01204	Knob, VR Soft Yellow	
RSK01206	Knob, VR Soft Green	
RSK01300	Knob, Rubber E.Q. (White)	
RSK01220	Knob, Push SW Gray	
RHW01920	Corner, PC6400B	
RHW02750	Rubber Feet, MA800B	
REJ00920	Phone Jack 3SPCMTI RCS	SPK OUT
REF00920	Fuse 8A 250V	AC FUSE

