



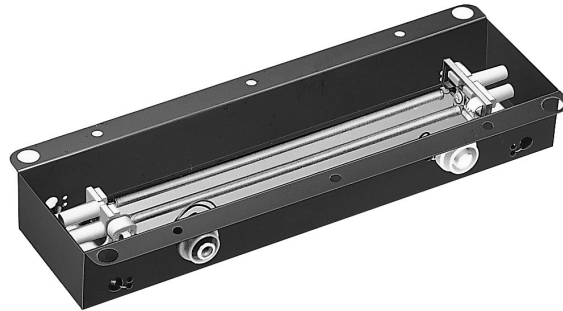
A full rich, sweet sound of reverb throughout the audio frequency range

Features

- 2-3 natural coil spring type
- In-out put impedance are changeable
- Small and Large size are available

Applications

- For electric organs, guitar amplifier
- For professional audio mixer
- For system to control room acoustics



REVERBERATION UNIT

ROTARY SWITCH

ENCODER SWITCH

VACUUM TUBE SOCKET & SHIELD

POWER ENTRY

JACK & XLR SOCKET

• 2 Springs Type

Input Impedance	Output Impedance	Decay Time	Connectors	Locking Device	Mounting Plane
8 Ohm A	500 Ohm A	Short	1 Input Grounded Output Grounded	A No Lock	1 Horizontal Open Side Up
150 Ohm B	2250 Ohm B	Medium	2 Input Grounded Output Insulated	B	Horizontal Open Side Down
200 Ohm C	4000 Ohm C	Long	3 Input Insulated Output Grounded	C	Vertical Connectors Up
250 Ohm D	10000 Ohm D		Input Insulated Output Insulated	D	Vertical Connectors Down
600 Ohm E			10" Leads No Outer Channel	E	On End Input up
1475 Ohm F			3" Leads No Outer Channel	F	On End Output up
1925 Ohm G					Tray

• 3 Springs Type

Input Impedance	Output Impedance	Decay Time	Connectors	Locking Device	Mounting Plane
10 Ohm A	600 Ohm A	Short	1 Input Grounded Output Grounded	A No Lock	1 Horizontal Open Side Up
190 Ohm B	2575 Ohm B	Medium	2 Input Grounded Output Insulated	B	Horizontal Open Side Down
240 Ohm C	4000 Ohm C	Long	3 Input Insulated Output Grounded	C	Vertical Connectors Up
310 Ohm D	12000 Ohm D		Input Insulated Output Insulated	D	Vertical Connectors Down
800 Ohm E			10" Leads No Outer Channel	E	On End Input up
1925 Ohm F			3" Leads No Outer Channel	F	On End Output up



Belton Engineering Co., Ltd.

Unit 1208, Daerung Techno town 8,
481-11, Gasan-Dong,
Geumcheon-Gu, Seoul, Korea

TEL : (822)2163-0060~0065
FAX : (822)2163-0066
E-mail : belton@unitel.co.kr



ELECTRONIC REVERBERATION UNIT

BELTON

(GENERAL)

CAT. NO.: BRU - 2

Suggested Ordering Procedure

- To specify the reverberation unit required, please compose desired part numbers from data below and fill the specification you desire in the following square.

Example (with outcase type)

Logo. of BELTON	Size	Type	No. of spring	Input imp.	Output imp.	Decay	Connect	Lock	Mount
B	S	N	2	A	B	2	C	1	B
B-abbreviation of BELTON	SIZE M-MINI S-SMALL L-LARGE	TYPE EMPTY-OLD VERSION N-NEW VERSION	NO. OF SPRING 2-SPRINGS 3-SPRINGS	INPUT IMP. SEE BELOW TABLE	OUTPUT IMP. SEE BELOW TABLE	DECAY TIME 1-SHORT DECAY 2-MEDIUM DEACY 3-LONG DEACY	CONNECT SEE PAGE 2 TABLE	LOCK SEE PAGE 2 TABLE	MOUNT SEE PAGE 2 TABLE
							TRAY T-WITH TRAY EMPTY-WITHOUT TRAY		

Electrical Specifications

• 2 Springs Type

	Impedance @1KHz ± 10%	Inductance In mH ± 10%	DC Resistance In Ohms ± 10%	Recommended AC Drive mA For Approx 3.5A-T
INPUT	A	8 Ohm	1.3	28.0
	B	150 Ohm	23.0	6.5
	C	200 Ohm	32.0	5.8
	D	250 Ohm	40.0	5.0
	E	600 Ohm	95.0	3.1
	F	1475 Ohm	235.0	200
OUTPUT	A	500 Ohm	80.0	Typical Decay Time Short=1.2 to 2.0 Sec Medium=1.75 to 3.0 Sec Long=2.75 to 4.0 Sec
	B	2250 Ohm	350.0	
	C	4000 Ohm	630.0	

• 3 Springs Type

	Impedance @1KHz ± 10%	Inductance In mH ± 10%	DC Resistance In Ohms ± 10%	Recommended AC Drive mA For Approx 3.5A-T
INPUT	A	10 Ohm	1.5	28.0
	B	190 Ohm	30.0	6.5
	C	240 Ohm	38.0	5.8
	D	310 Ohm	43.0	5.0
	E	800 Ohm	150.0	3.1
	F	1925 Ohm	300.0	200
OUTPUT	A	600 Ohm	94.0	Typical Decay Time Short=1.2 to 2.0 Sec Medium=1.75 to 3.0 Sec Long=2.75 to 4.0 Sec
	B	2575 Ohm	400.0	
	C	4000 Ohm	630.0	



Belton Engineering Co., Ltd.

Unit 1208, Daerung Techno town 8,
481-11, Gasan-Dong,
Geumcheon-Gu, Seoul, Korea

TEL : (822)2163-0060~0065
FAX : (822)2163-0066
E-mail : belton@unitel.co.kr



ELECTRONIC REVERBERATION UNIT

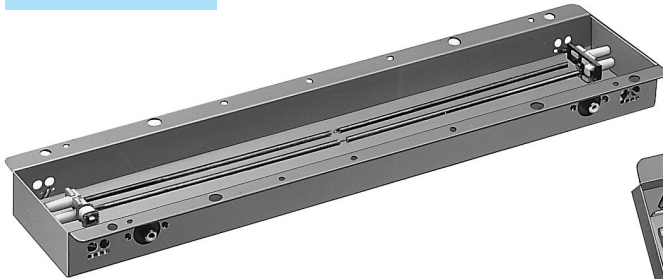
BELTON

(BL SERIES)

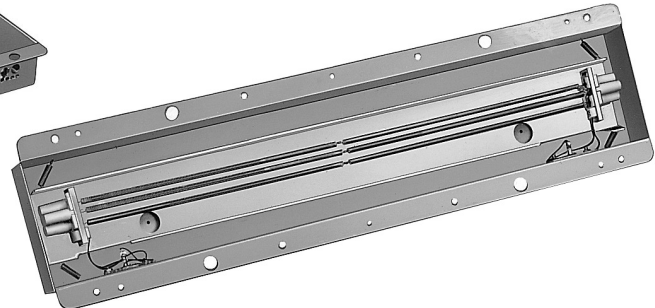
(Large size)

CAT. NO.: BL - 1

BL2 series



BL3 series



REVERBERATION UNIT

ROTARY SWITCH

ENCODER SWITCH

VACUUM TUBE SOCKET & SHIELD

POWER ENTRY

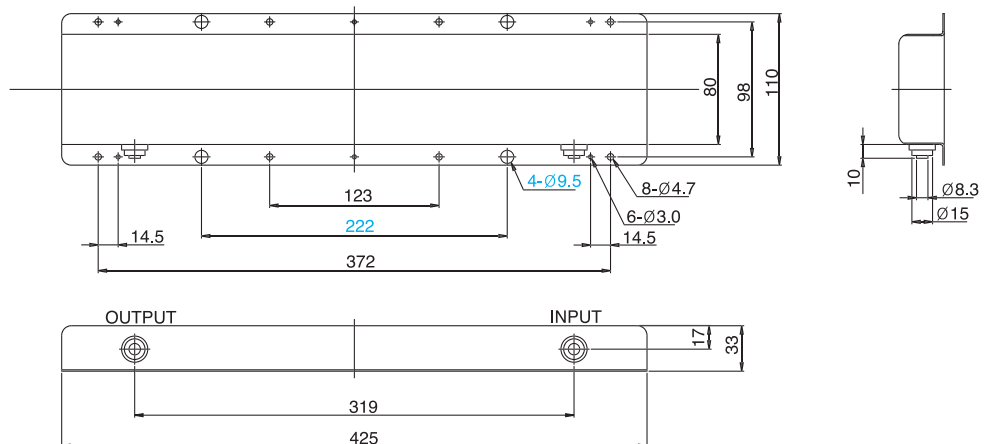
JACK & XLR SOCKET

- Deep reverb effect with 4 springs reverb
- Smooth and rich sound reverb

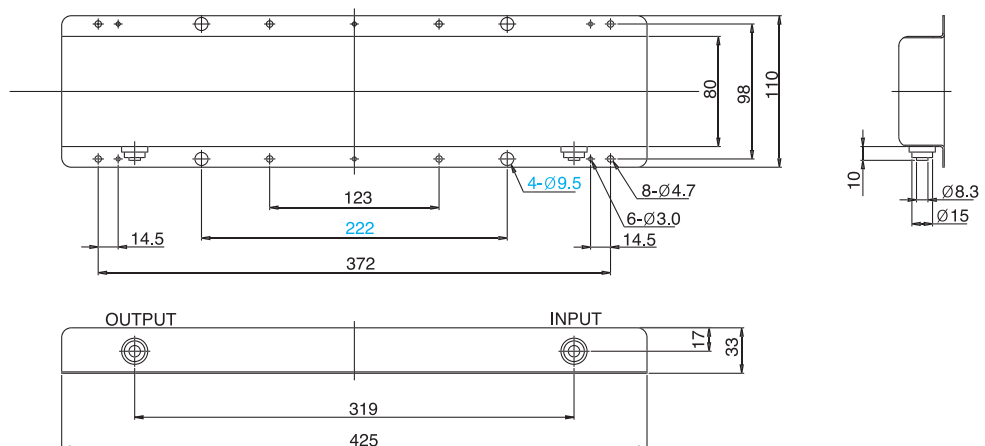
- For the studio quality reverb
- A full rich, sweet sound effect with using 6 different springs

Dimensions

BL2AB2C1B



BL3AB2C1B



Belton Engineering Co., Ltd.

Unit 1208, Daerung Techno town 8,
481-11, Gasan-Dong,
Geumcheon-Gu, Seoul, Korea

TEL : (822)2163-0060~0065
FAX : (822)2163-0066
E-mail : belton@unitel.co.kr