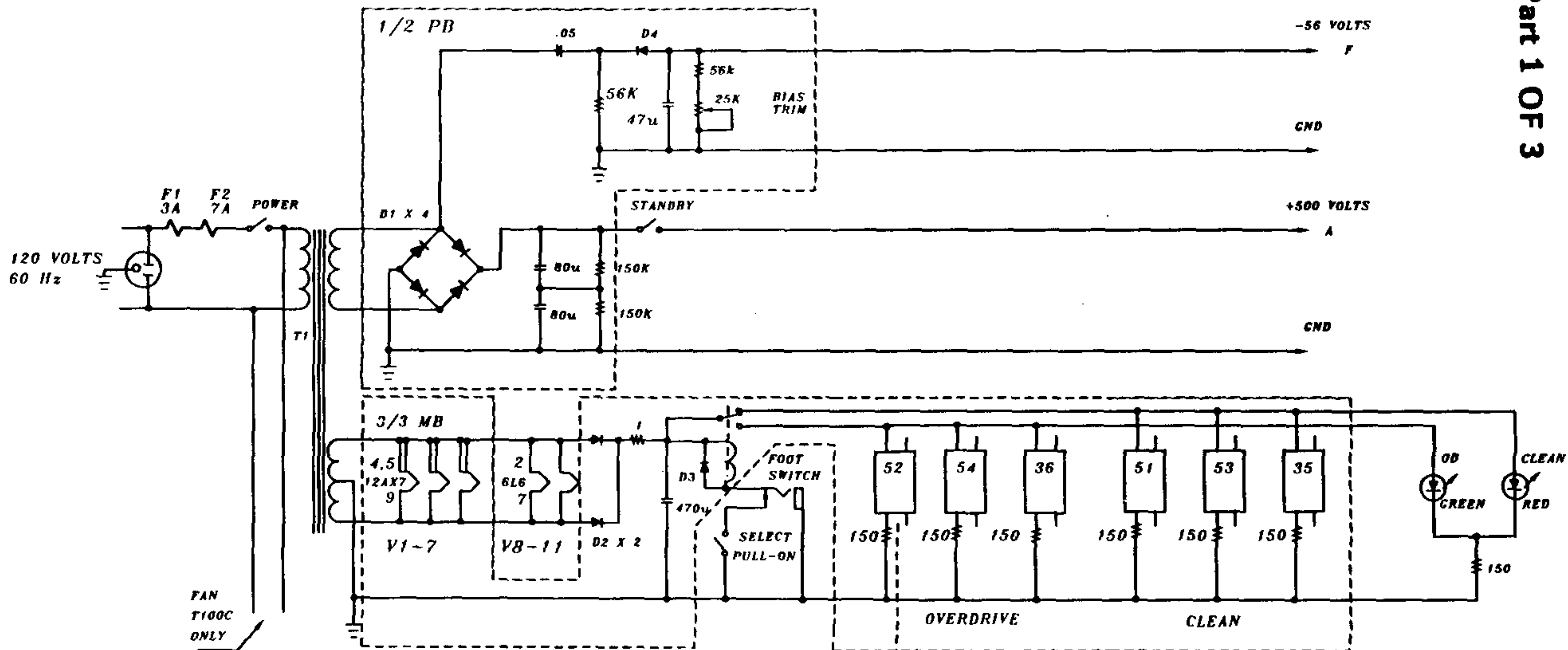


POWER SUPPLY

T50-100

YAMAHA

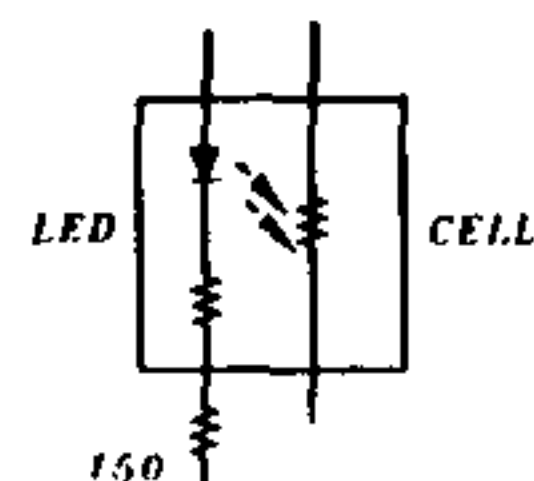
MONITOR THE OUTPUT WITH AN OSCILLOSCOPE.
BIAS TRIM - ADJUST FOR MINIMUM CROSSOVER DISTORTION
AT MAXIMUM POWER OUTPUT.



POWER TRANSFORMER

T50 - T50C
T1 = P-51Y-1
T100 - T100C
T1 = P-101Y-1

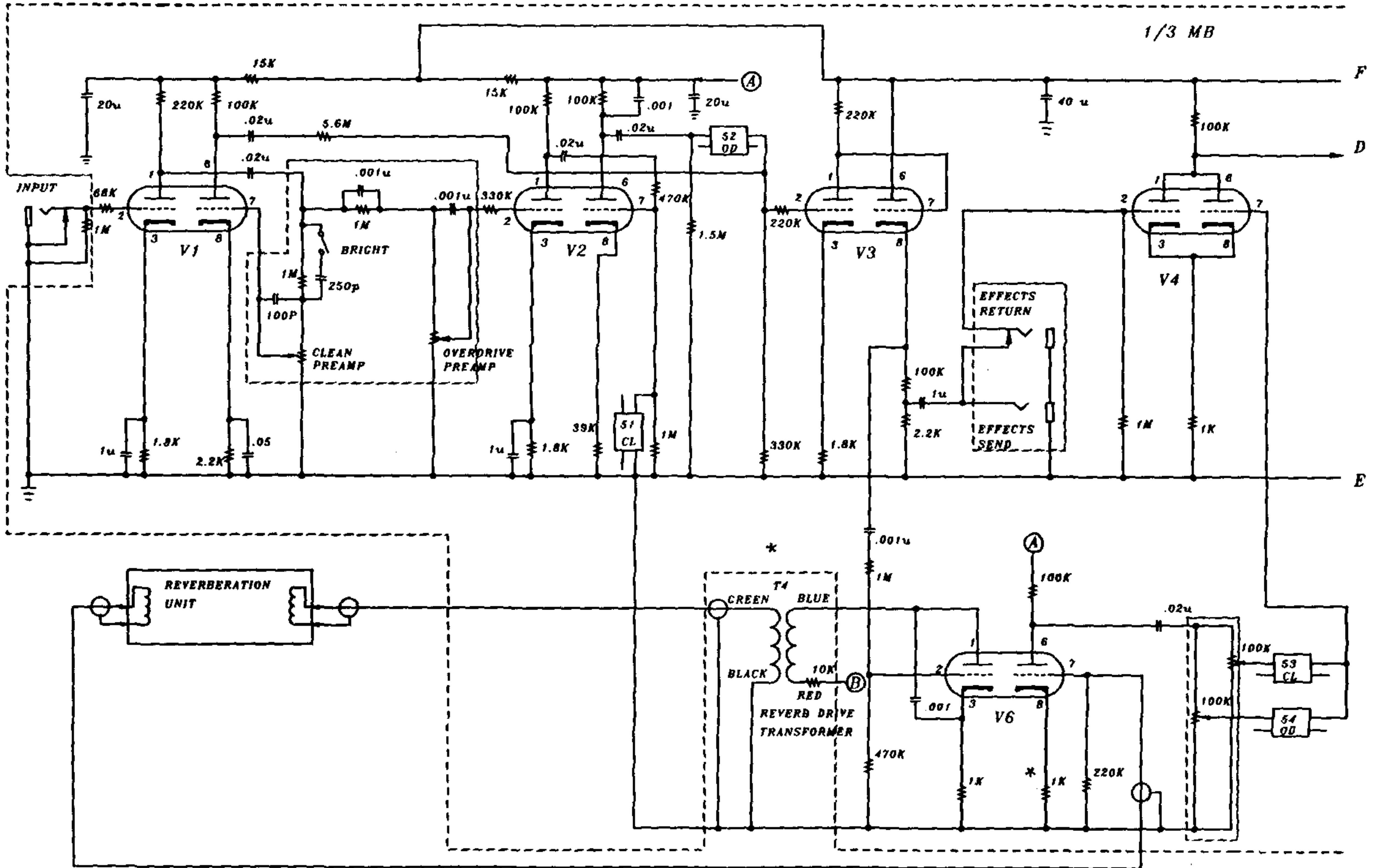
T50, T50C
F1 = 3A



PRE-AMPLIFIER SECTION

YAMAHA

SCHEMATIC PART 2 OF 3



21

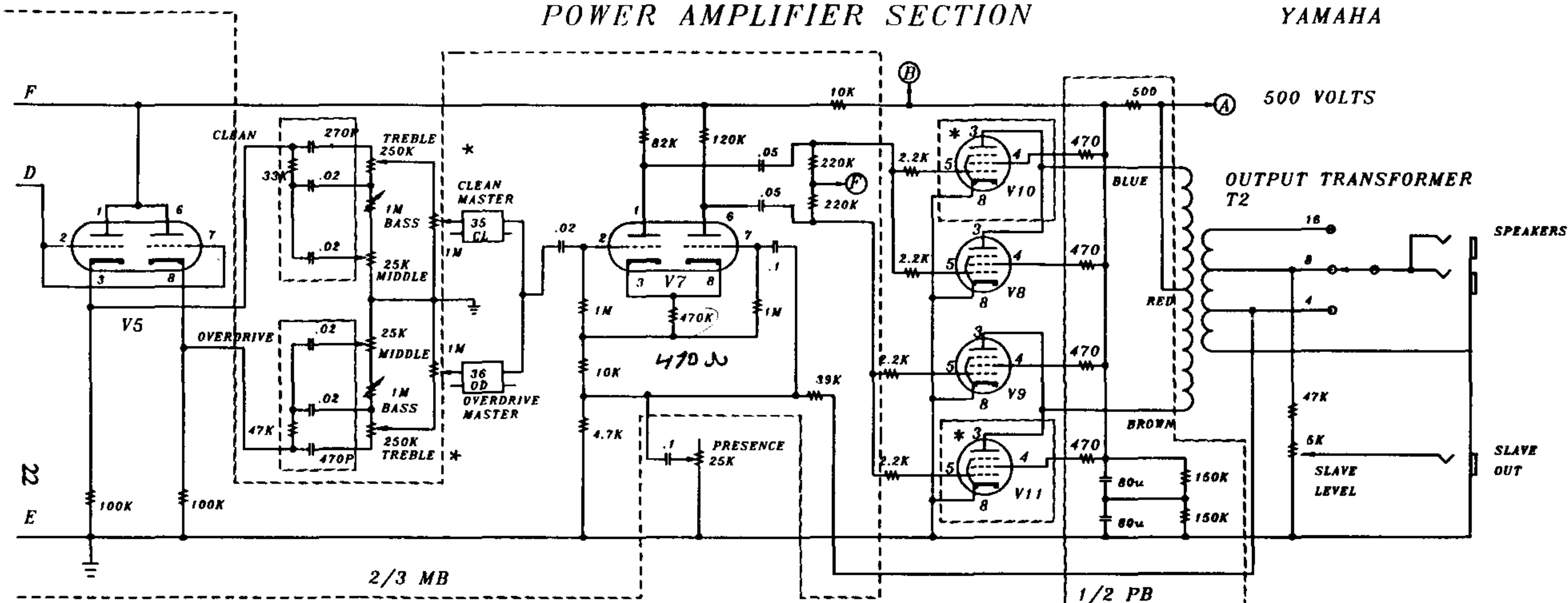
V1 - G = 12AX7

* Please read Production up-dates page 14

REVERB RETURN

POWER AMPLIFIER SECTION

YAMAHA



* - T100 ONLY

PIN NUMBERS

TUBE #	1	2	3	4	5	6	7	8	9
V1	156		1.2			222		1.8	
V2	209		1.5			285		3.3	
V3	164		1.6			329		3.3	
V4	189		1.4			189		1.4	
V5	329		190			329		190	
V6	428		2.7			170		1.2	
V7	213		34			204		34	
V8			470	462	-50			0	
V9			470	462	-50			0	

THE DC VOLTAGE LISTED IN THE TABLE IS THE NOMINAL DC VOLTAGE FOR THAT PIN BASED ON 117 VOLTS AC LINE.

ALL VOLTAGE IS MEASURED WITH RESPECT TO POWER GROUND

* Please read Production up-dates page 14

T2 - OUTPUT TRANSFORMER
 T50-T50C = 0-51Y-1
 T100-T100C = 0-101Y-1

V5 - 7 = 12AX7
 V8, 9 = 6L6GC
 V10, 11 = 6L6GC T100 ONLY