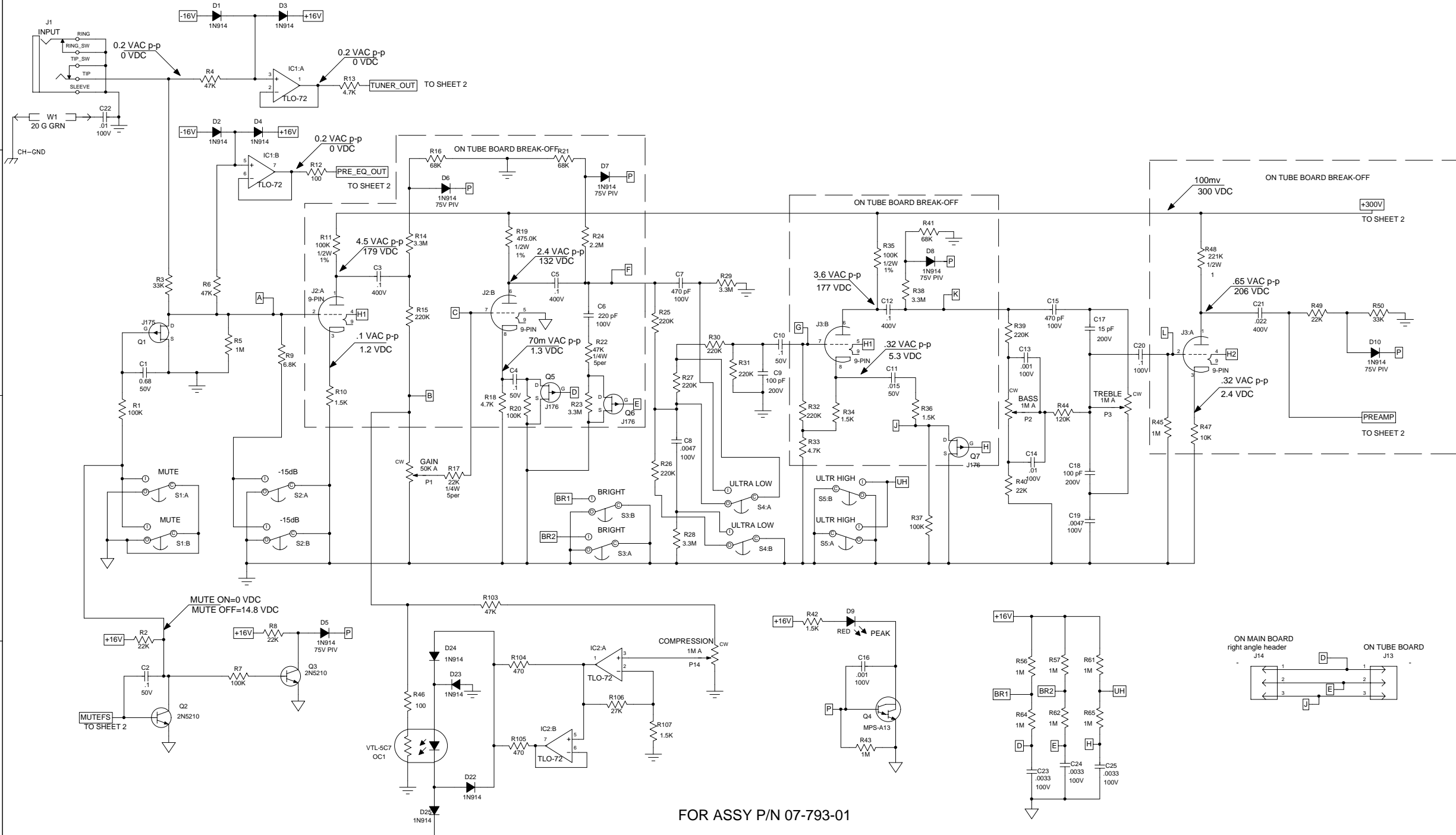


TEST POINT CONDITIONS:
 INPUT SIGNAL: 0.2Vp-p 1 KHz SINE WAVE.
 LINE OUTPUT CONTROL @ "10".
 PRE/POST "OUT"

ALL CONTROLS @ '5' EXCEPT COMPRESSION @ '0'.
 AND TUBE VOLTAGE @ '10'. ALL SWITCHES 'OUT'.

1
2
3
4
5

1
2
3
4
5

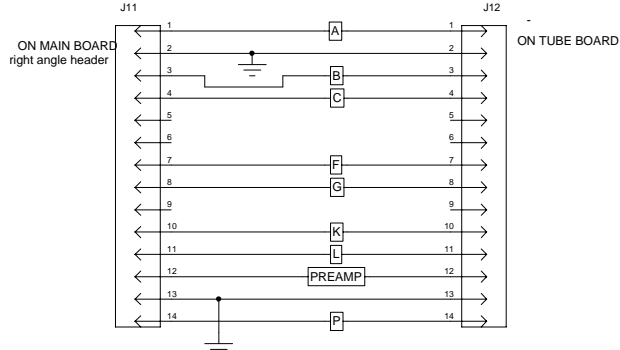


FOR ASSY P/N 07-793-01

NOTE: COMPONENTS WITHIN DASHES ARE ON TUBE BREAK-OFF PCB.

CAUTION:
 THIS SCHEMATIC IS PROVIDED FOR USE BY QUALIFIED PERSONNEL. TO AVOID RISK OF ELECTRIC SHOCK, REFER SERVICING TO QUALIFIED SERVICE PERSONNEL. DO NOT PERFORM ANY SERVICING BEYOND THAT EXPLAINED IN THE OPERATING INSTRUCTIONS.

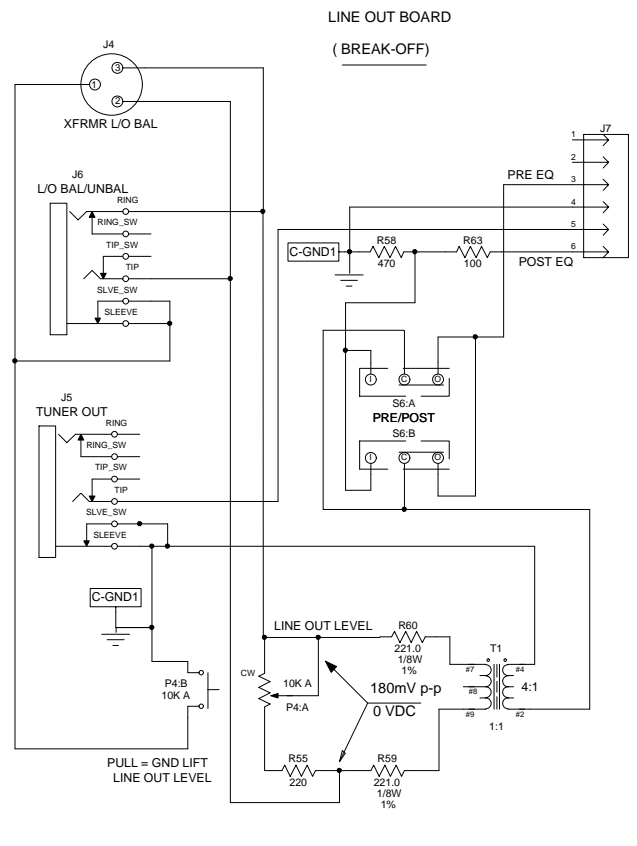
NOTES:
 1) CAUTION: SHOCK HAZARD!! THIS UNIT CONTAINS HAZARDOUS VOLTAGE. DISCONNECT POWER AND BE SURE POWER SUPPLY IS DISCHARGED BEFORE TOUCHING INTERNAL PARTS.
 2) UNLESS NOTED, RESISTOR VALUES IN OHMS, 1/4W-5% TOL. CAPACITOR VALUES IN MICROFARADS, 50V-10% TOL.
 3) VOLTAGES ARE MEASURED WITH 1 MEGOHM OSCILLOSCOPE AND 10 MEGOHM DIGITAL VOLTMETER.



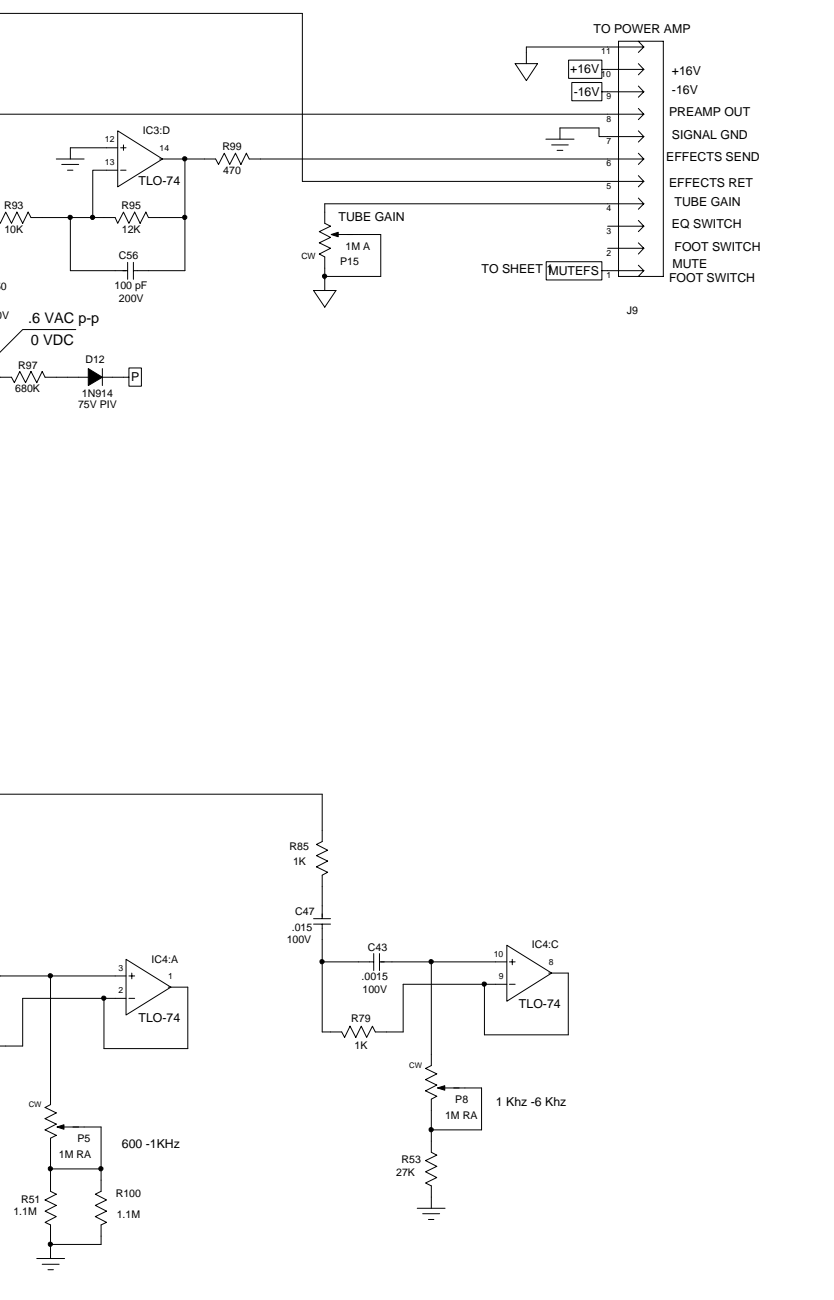
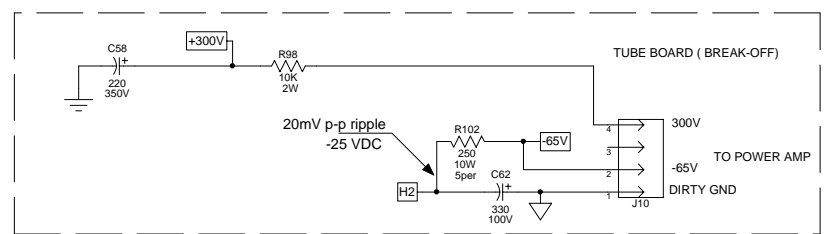
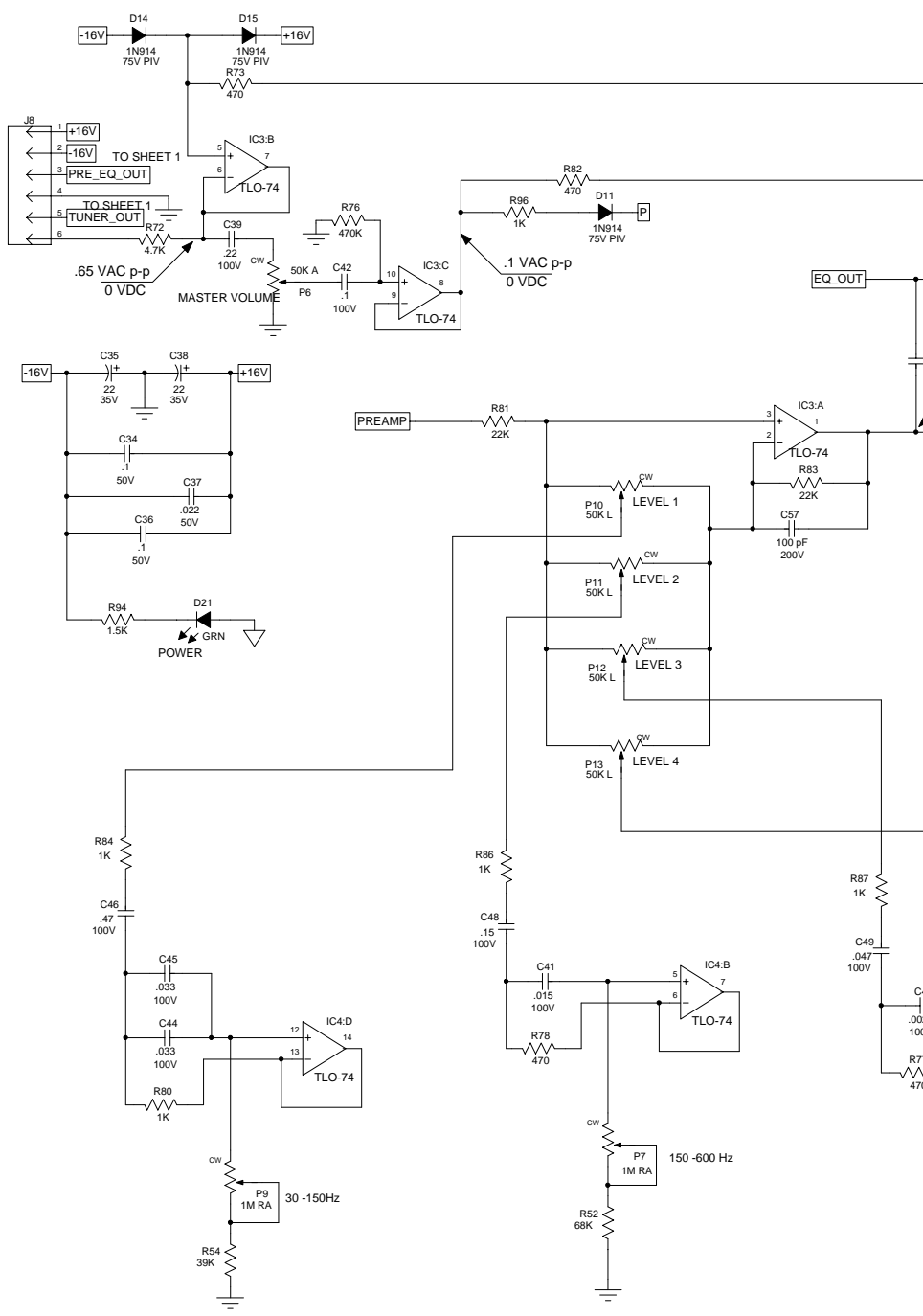
0	09/30/05	CONTROL ISSUE				REM
A	8/15/05	INITIAL ISSUE				
REV	Date	DESCRIPTION	Ecr(s)/Ecn(s)	Chgd By	Appvd by	Date
THE INFORMATION CONTAINED ON THIS DRAWING IS PROPRIETARY TO ST. LOUIS MUSIC, INC.						
Signatures:		Date:		 1901 Congressional, St. Louis, MO 63146		
Drawn:		REM		06/02/05		
Checked:				First Used On:		
Released:						
Plot Date: Fri Sep 30, 2005		Drawing Size: C		Drawing Title: SCHEMATIC - PREAMP		
Plot Time: 06:46:27		Drawing Type: Schematic		Drawing Number: 07S793		
Tolerance:		Class Code: NONE		Sheet 1 of 2		

5

5



Power Table		
RefDes	-16V	+16V
IC1	4	8
IC2	4	8
IC3	11	4
IC4	11	4



CAUTION:
THIS SCHEMATIC IS PROVIDED FOR USE BY QUALIFIED PERSONNEL. TO AVOID RISK OF ELECTRIC SHOCK, REFER SERVICING TO QUALIFIED SERVICE PERSONNEL. DO NOT PERFORM ANY SERVICING BEYOND THAT EXPLAINED IN THE OPERATING INSTRUCTIONS.

NOTES:
1) CAUTION: SHOCK HAZARD!! THIS UNIT CONTAINS HAZARDOUS VOLTAGE. DISCONNECT POWER AND BE SURE POWER SUPPLY IS DISCHARGED BEFORE TOUCHING INTERNAL PARTS.
2) UNLESS NOTED, RESISTOR VALUES IN OHMS, 1/4W-5% TOL. CAPACITOR VALUES IN MICROFARADS, 50V-10% TOL.
3) VOLTAGES ARE MEASURED WITH 1 MEGOHM OSCILLOSCOPE AND 10 MEGOHM DIGITAL VOLTMETER.

REV	Date	DESCRIPTION	Ecr(s)/Ecn(s)	Chgd By	Appvd by	Date
0	09/30/05	CONTROL ISSUE				REM
A	8/15/05	INITIAL ISSUE				

THE INFORMATION CONTAINED ON THIS DRAWING IS PROPRIETARY TO ST. LOUIS MUSIC, INC.

Signatures:		Date:
Drawn: REM		06/02/05
Checked:		1901 Congressional, St. Louis, MO 63146
Released:		First Used On:
Plot Date: Fri Sep 30, 2005	Drawing Size: C	Drawing Title: SCHEMATIC - PREAMP
Plot Time: 06:46:27	Drawing Type: Schematic	Drawing Number: 07S793
Tolerance:	Class Code: NONE	Sheet 2 of 2

164.7 V DC

284.7V DC

165.8V DC

81.8V DC

84.8V DC

64.8V DC

163.2V DC

66.5 V DC

8mV DC

+17.4 and -17.4 DC testing at IC1(2) increases fan speed

3.2mV DC

-80.8V DC

-83.3V DC

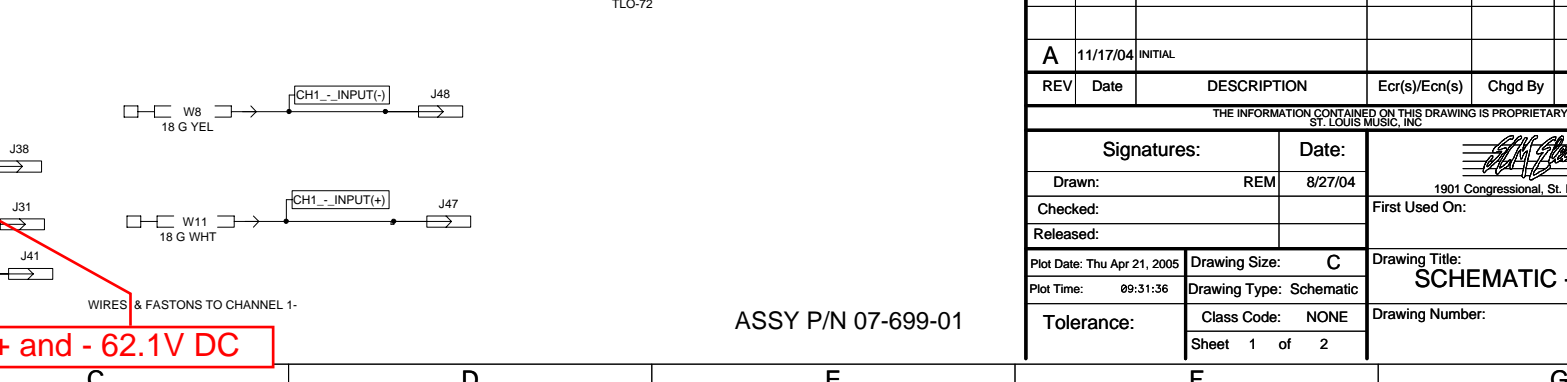
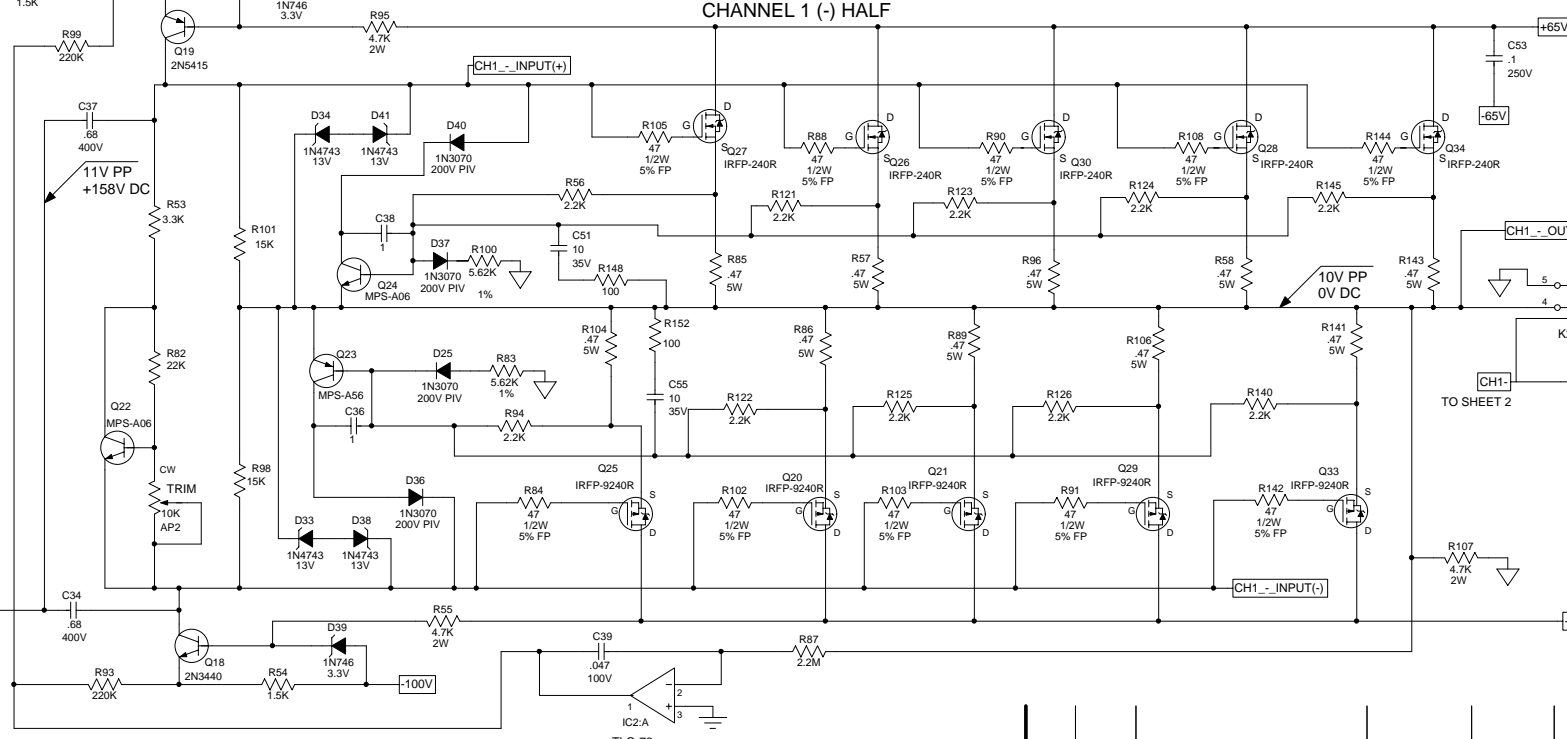
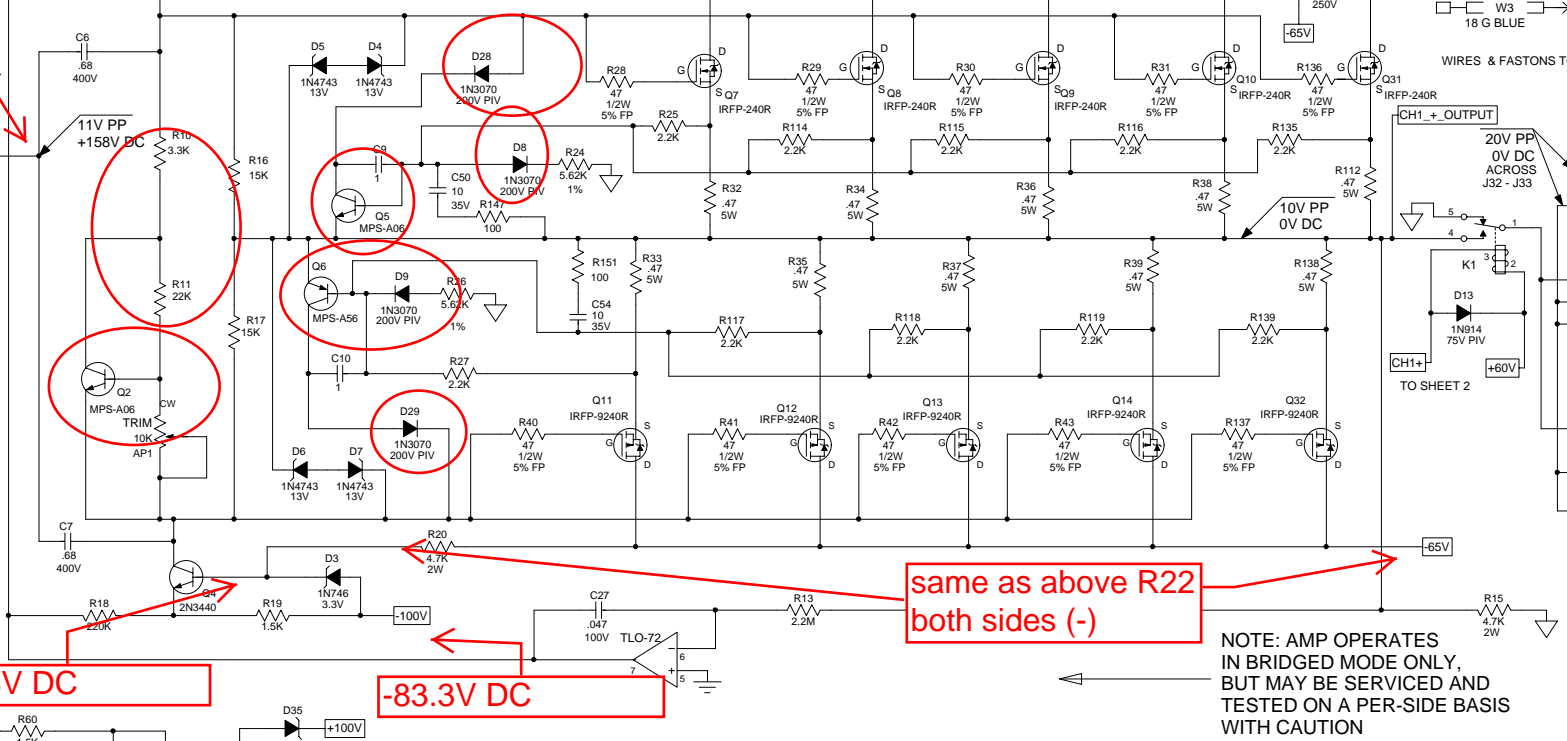
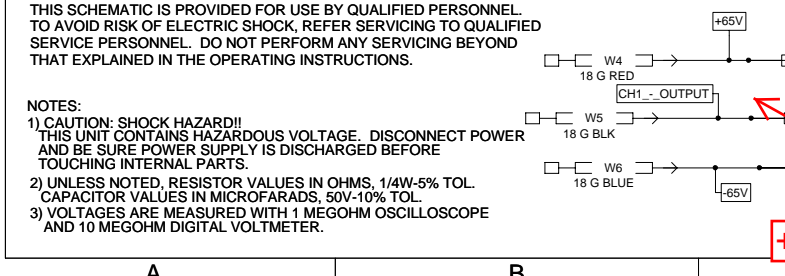
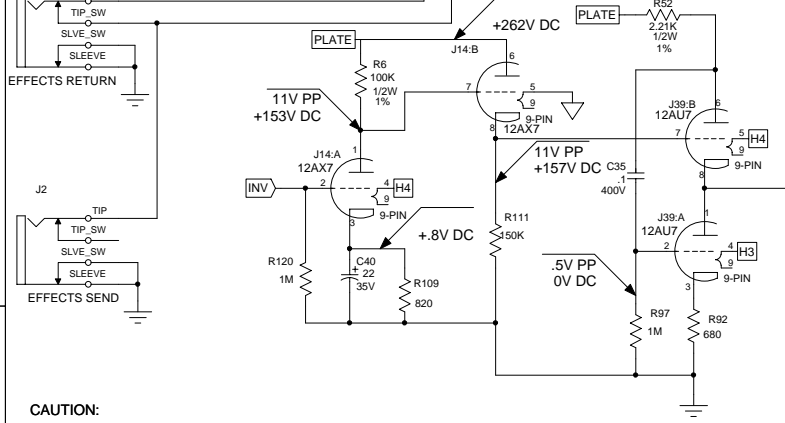
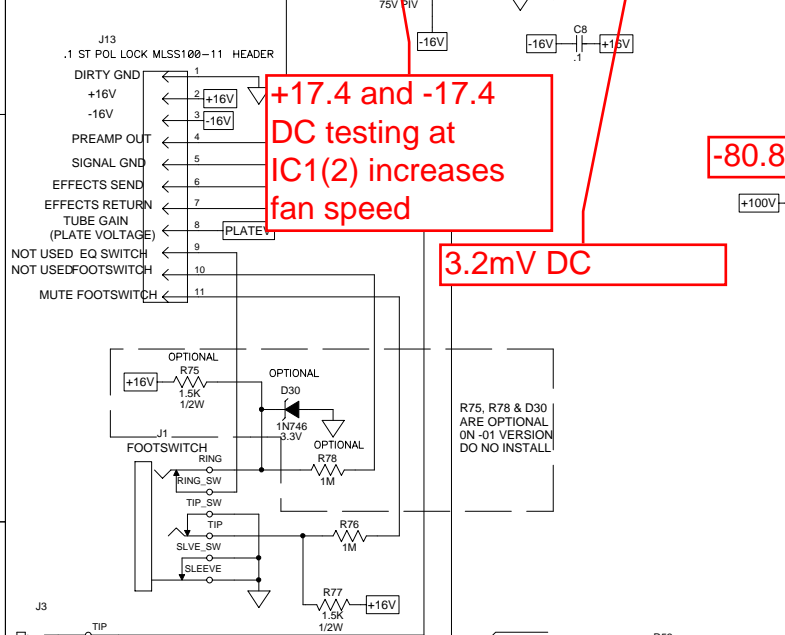
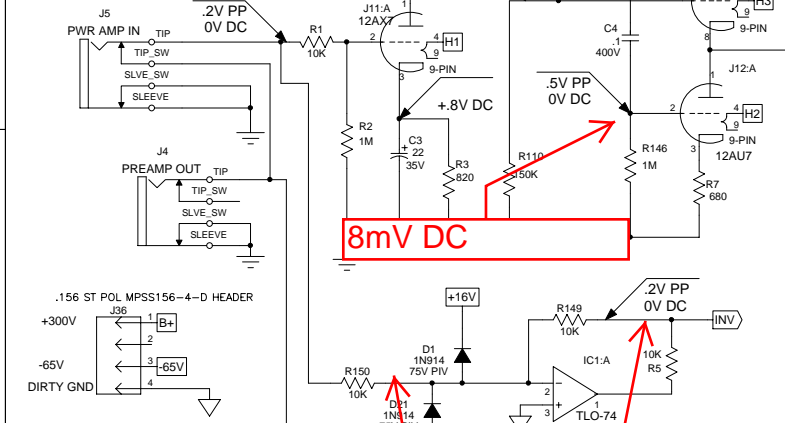
same as above R22 both sides (-)

NOTE: AMP OPERATES IN BRIDGED MODE ONLY, BUT MAY BE SERVICED AND TESTED ON A PER-SIDE BASIS WITH CAUTION

1
2
3
4
5

1
2
3
4
5

TEST POINT CONDITIONS:
INPUT SIGNAL: 0.2V p-p 1 kHz SINE WAVE.
OUTPUT SIGNAL: CLEAN SINE WAVE.
LINE OUTPUT CONTROL @ "10".
PRE/POST OUT



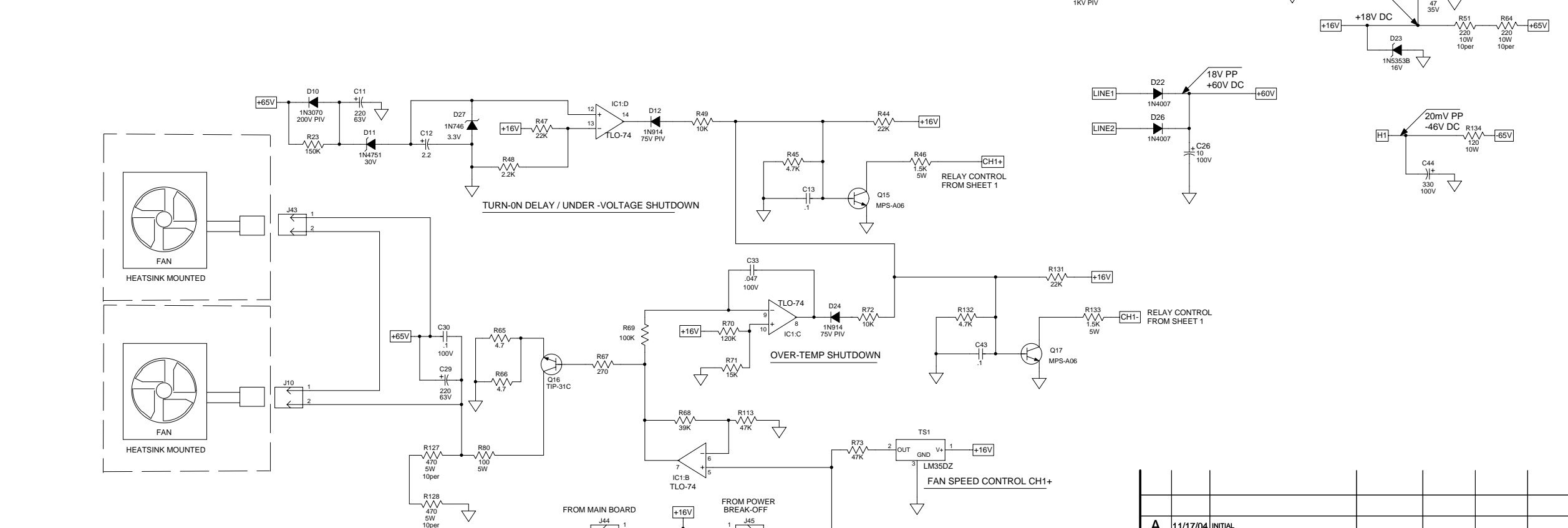
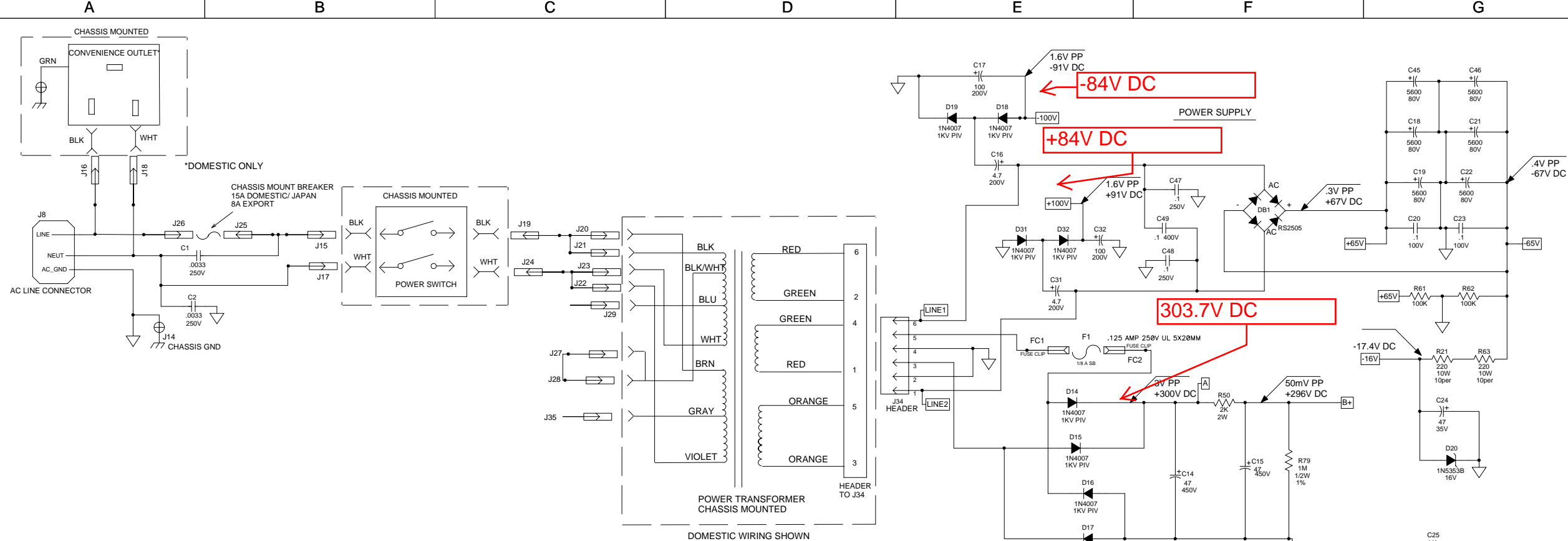
CAUTION:
THIS SCHEMATIC IS PROVIDED FOR USE BY QUALIFIED PERSONNEL TO AVOID RISK OF ELECTRIC SHOCK, REFER SERVICING TO QUALIFIED SERVICE PERSONNEL. DO NOT PERFORM ANY SERVICING BEYOND THAT EXPLAINED IN THE OPERATING INSTRUCTIONS.

NOTES:
1) CAUTION: SHOCK HAZARD!! THIS UNIT CONTAINS HAZARDOUS VOLTAGE. DISCONNECT POWER AND BE SURE POWER SUPPLY IS DISCHARGED BEFORE TOUCHING INTERNAL PARTS.
2) UNLESS NOTED, RESISTOR VALUES IN OHMS, 1/4W-5% TOL. CAPACITOR VALUES IN MICROFARADS, 50V-10% TOL.
3) VOLTAGES ARE MEASURED WITH 1 MEGOHM OSCILLOSCOPE AND 10 MEGOHM DIGITAL VOLTMETER.

A		11/17/04		INITIAL		
REV	Date	DESCRIPTION	Ecr(s)/Ecn(s)	Chgd By	Appvd by	Date
THE INFORMATION CONTAINED ON THIS DRAWING IS PROPRIETARY TO ST. LOUIS MUSIC, INC.						
Signatures:		Date:		1901 Congressional, St. Louis, MO 63146		
Drawn: REM		8/27/04		First Used On:		
Checked:						
Released:						
Plot Date: Thu Apr 21, 2005		Drawing Size: C		Drawing Title: SCHEMATIC - PWR AMP		
Plot Time: 09:31:36		Drawing Type: Schematic		Drawing Number: 07S699		
Tolerance:		Class Code: NONE		Sheet 1 of 2		

ASSY P/N 07-699-01

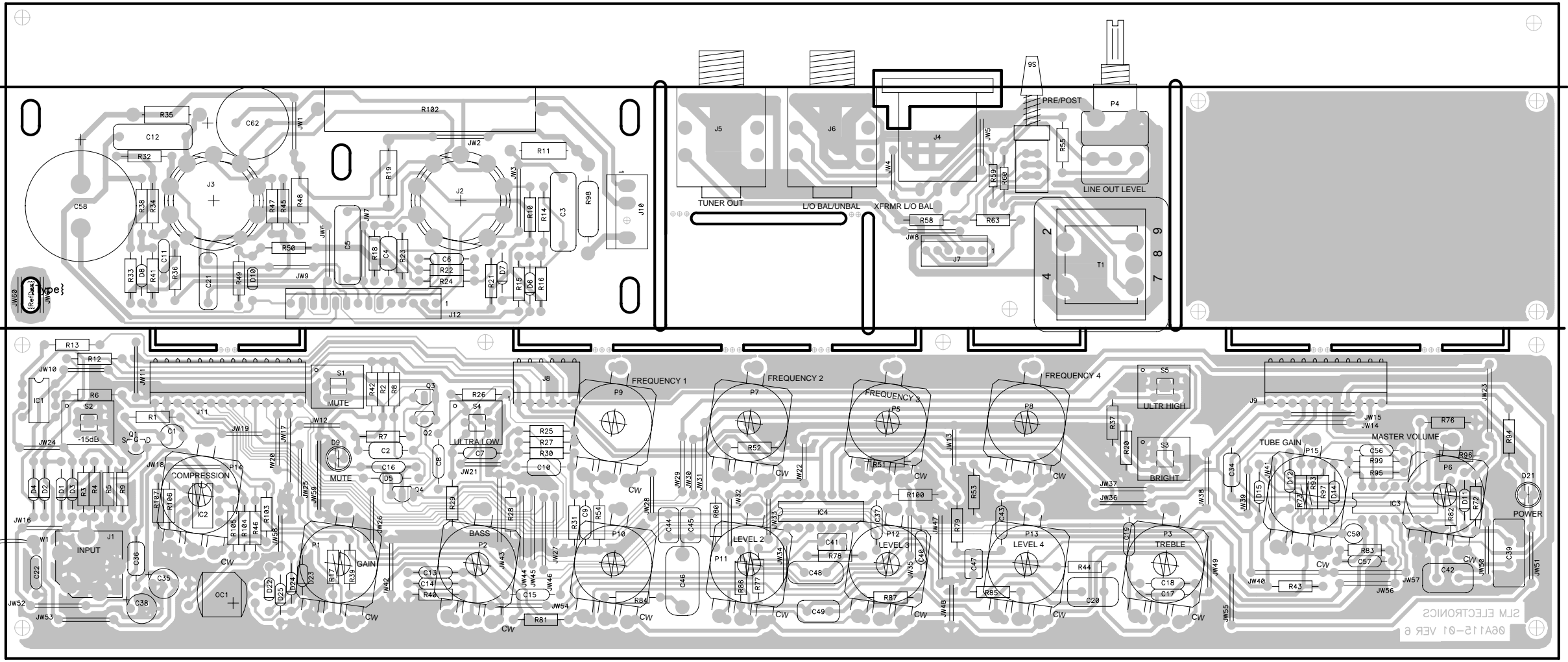
+ and - 62.1V DC



CAUTION:
 THIS SCHEMATIC IS PROVIDED FOR USE BY QUALIFIED PERSONNEL TO AVOID RISK OF ELECTRIC SHOCK, REFER SERVICING TO QUALIFIED SERVICE PERSONNEL. DO NOT PERFORM ANY SERVICING BEYOND THAT EXPLAINED IN THE OPERATING INSTRUCTIONS.

NOTES:
 1) CAUTION: SHOCK HAZARD!! THIS UNIT CONTAINS HAZARDOUS VOLTAGE. DISCONNECT POWER AND BE SURE POWER SUPPLY IS DISCHARGED BEFORE TOUCHING INTERNAL PARTS.
 2) UNLESS NOTED, RESISTOR VALUES IN OHMS, 1/4W-5% TOL. CAPACITOR VALUES IN MICROFARADS, 50V-10% TOL.
 3) VOLTAGES ARE MEASURED WITH 1 MEGOHM OSCILLOSCOPE AND 10 MEGOHM DIGITAL VOLTMETER.

A	11/17/04	INITIAL				
REV	Date	DESCRIPTION	Ecr(s)/Ecn(s)	Chgd By	Appvd by	Date
THE INFORMATION CONTAINED ON THIS DRAWING IS PROPRIETARY TO ST. LOUIS MUSIC, INC.						
Signatures:		Date:		 1901 Congressional, St. Louis, MO 63146		
Drawn: REM		8/27/04				
Checked:				First Used On:		
Released:				Drawing Title:		
Plot Date: Thu Apr 21, 2005		Drawing Size: C		SCHEMATIC - PWR AMP		
Plot Time: 09:31:36		Drawing Type: Schematic		Drawing Number:		
Tolerance:		Class Code: NONE		07S699		
		Sheet 2 of 2				



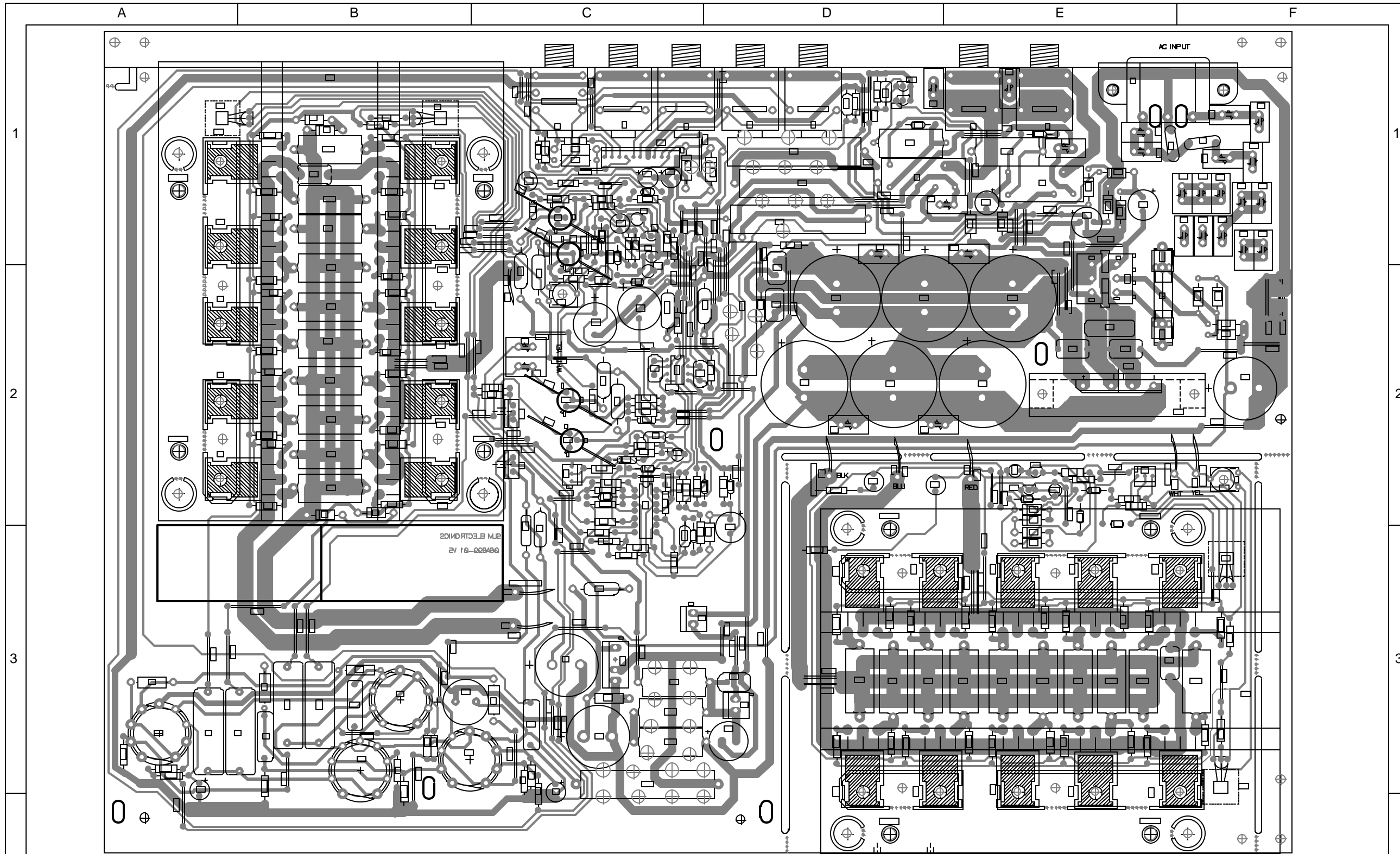
ASSY PART # 07-115-01

FOR ASSEMBLY P/N: 07-115-01
 USE SCHEMATIC # 07S115

NOTES:
 1. APPLY RTV SILICONE SEALANT PER SLM DOCUMENT NUMBER 00A005-00

CAUTION:
 THIS ASSEMBLY DRAWING IS PROVIDED FOR USE BY QUALIFIED PERSONNEL.
 TO AVOID RISK OF ELECTRIC SHOCK, REFER SERVICING TO QUALIFIED SERVICE PERSONNEL.
 DO NOT PERFORM ANY SERVICING BEYOND THAT EXPLAINED IN THE OPERATING INSTRUCTIONS.

REV	Date	DESCRIPTION	Ecr(s)/Ecn(s)	Chgd By	Appvd by	Date
A	4-18-05	INITIAL ISSUE				
THE INFORMATION CONTAINED ON THIS DRAWING IS PROPRIETARY TO ST. LOUIS MUSIC, INC.						
Signatures:		Date:				
Drawn:	REM	8/19/04				
Checked:			First Used On:			
Released:						
Plot Date:	Tue Apr 26, 2005	Drawing Size:	B	Drawing Title:		
Plot Time:	07:11:57	Drawing Type:	ASSEMBLY	PWA - BASS PREAMP		
Tolerance:		Class Code:	NONE	Drawing Number:		07-115
		Sheet	1 of 1			



FOR ASSEMBLY P/N: 07-699-01
 USE SCHEMATIC # 07S699

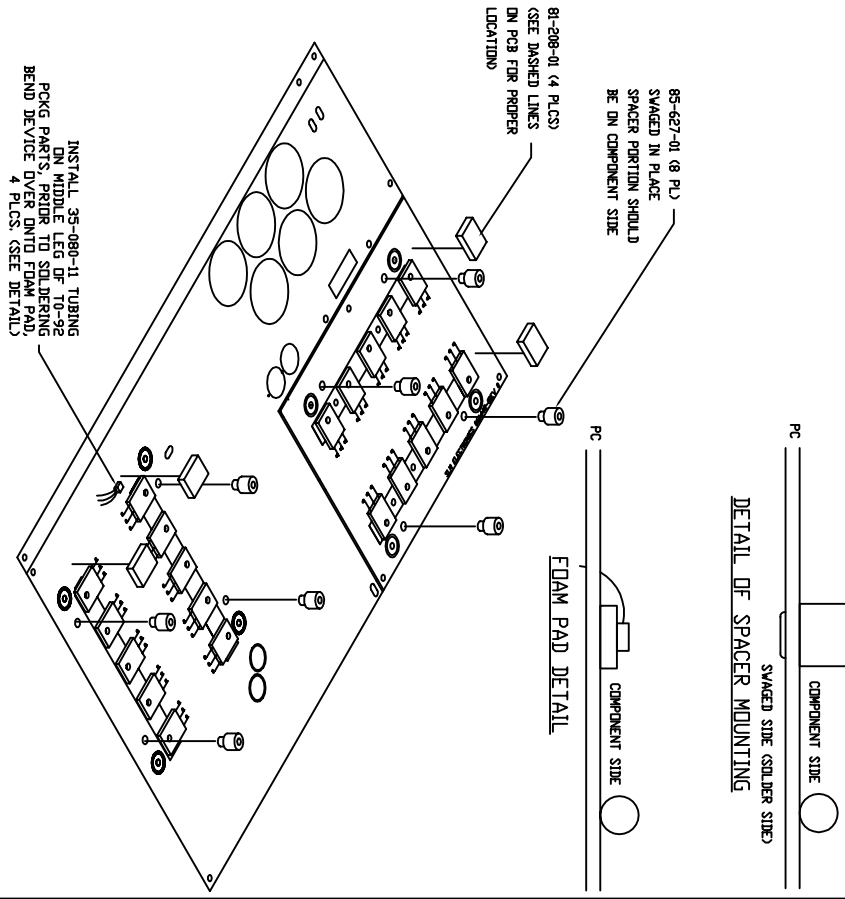
NOTES:
 1. APPLY RTV SILICONE SEALANT PER SLM DOCUMENT NUMBER 00A005-00

CAUTION:
 THIS ASSEMBLY DRAWING IS PROVIDED FOR USE BY QUALIFIED PERSONNEL. TO AVOID RISK OF ELECTRIC SHOCK, REFER SERVICING TO QUALIFIED SERVICE PERSONNEL. DO NOT PERFORM ANY SERVICING BEYOND THAT EXPLAINED IN THE OPERATING INSTRUCTIONS.

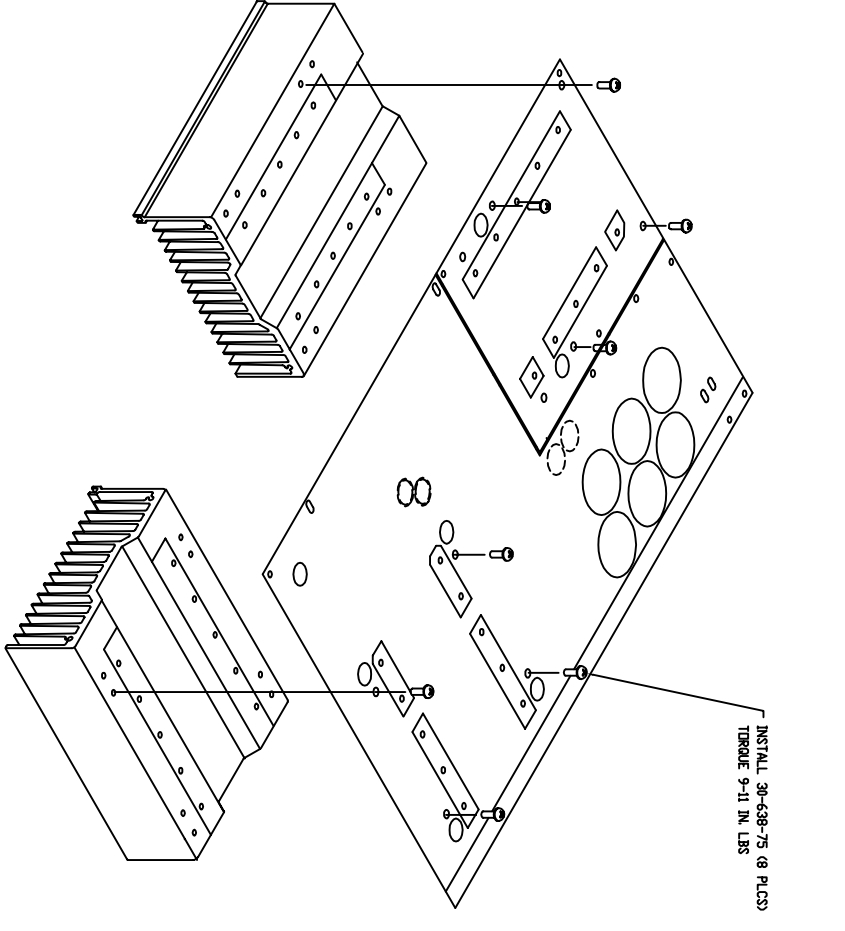
REV	Date	DESCRIPTION	Ecr(s)/Ecn(s)	Chgd By	Appvd by	Date
B	05/13/05	ADDED SHEET 2	R01642	WFB		
A	03/11/05	INITIAL ISSUE				

THE INFORMATION CONTAINED ON THIS DRAWING IS PROPRIETARY TO ST. LOUIS MUSIC, INC.			
Signatures:		Date:	
Drawn:	REM	10/02/04	
Checked:		First Used On:	
Released:		1901 Congressional, St. Louis, MO 63146	
Plot Date:	Fri May 13, 2005	Drawing Size:	C
Plot Time:	13:12:11	Drawing Type:	ASSEMBLY
Tolerance:		Class Code:	NONE
		Sheet	1 of 2
Drawing Title:			PWA - 1000W BASS AMP
Drawing Number:			07-699

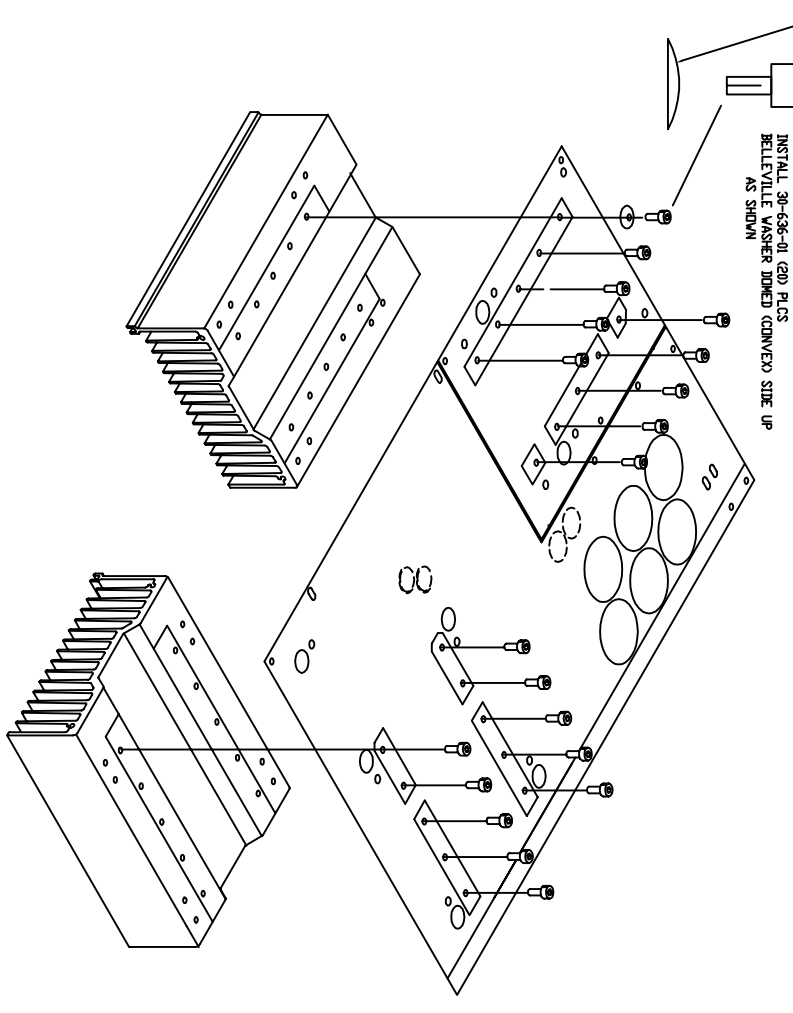
INSTALLATION OF SWAGED
STANDOFFS/FOAM PADS/PLASTIC TUBING



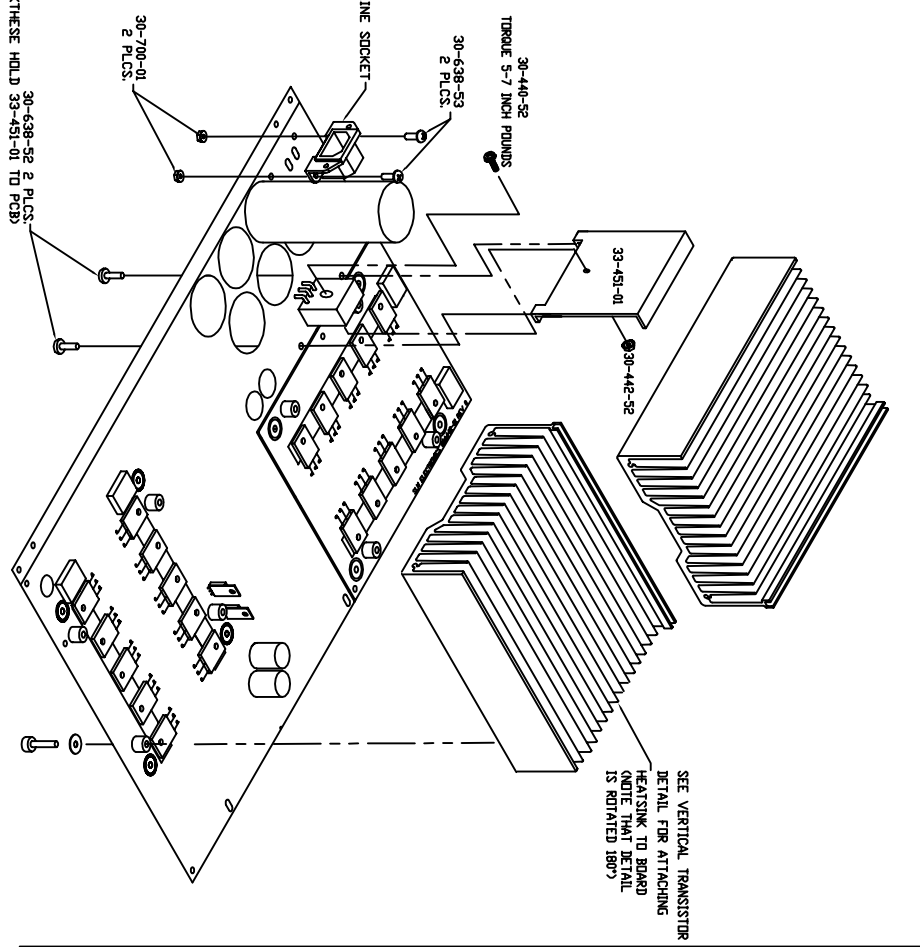
ATTACHMENT OF PC BOARD
TO HEATSINK



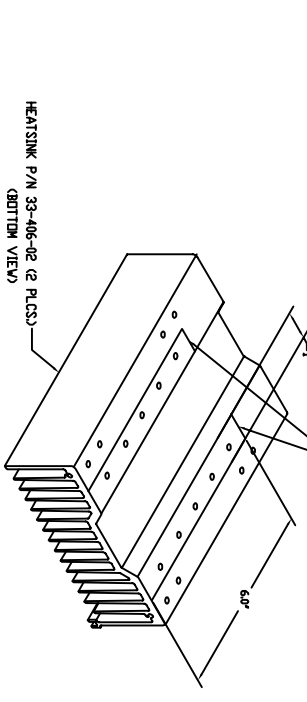
ATTACHMENT OF OUTPUT
DEVICES AND DRIVERS



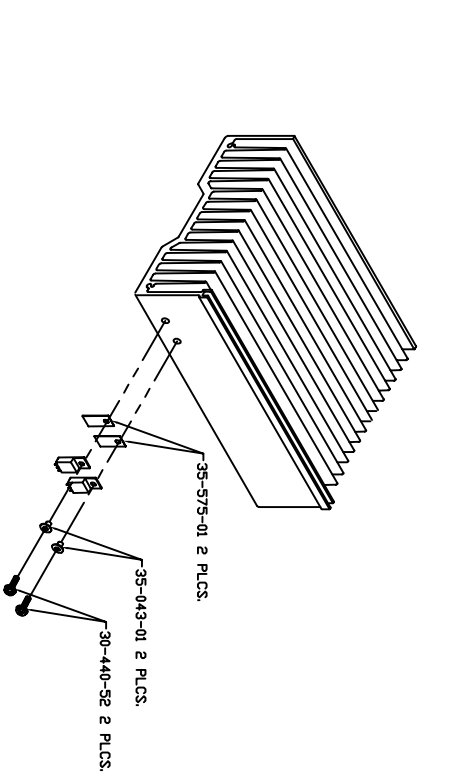
ATTACHMENT OF RECTIFIER
HEATSINK & VERTICAL TRANSISTORS



INSULATOR LOCATION



VERTICAL TRANSISTOR DETAIL

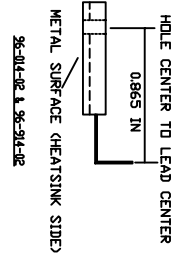


NOTE:

WIRE PART# ATTACH TO

W1	97-442-05	J30
W2	97-442-09	J37
W3	97-442-07	J40
W4	97-442-10	J38
W5	97-442-04	J31
W6	97-442-08	J41
W7	N/A	---
W8	97-442-12	J48
W9	N/A	---
W10	N/A	---
W11	97-442-11	J47

TRANSISTOR LEAD
BENDING



B	04/27/05	ADDED SHEET 2	R01642	WFB		
REV:	DATE:	DESCRIPTION	ECR/ECN NO:	CHNGD BY:	APPRD BY:	DATE:
THE INFORMATION CONTAINED ON THIS DRAWING IS PROPRIETARY TO ST. LOUIS MFG. INC.						
DRAWN:	WFB	DATE:	11800 Bottom Dr. St. Louis, Missouri 63148			
CHK'D:			FIRST USED ON:			
TOLERANCES:	DRAWING SIZE:	D	DRAWING TITLE: POWER AMP			
CLASS CODE:	DRAWING TYPE:		DRAWING NO: 07-699			
SCALE:	none		SHEET: 2 OF 2			