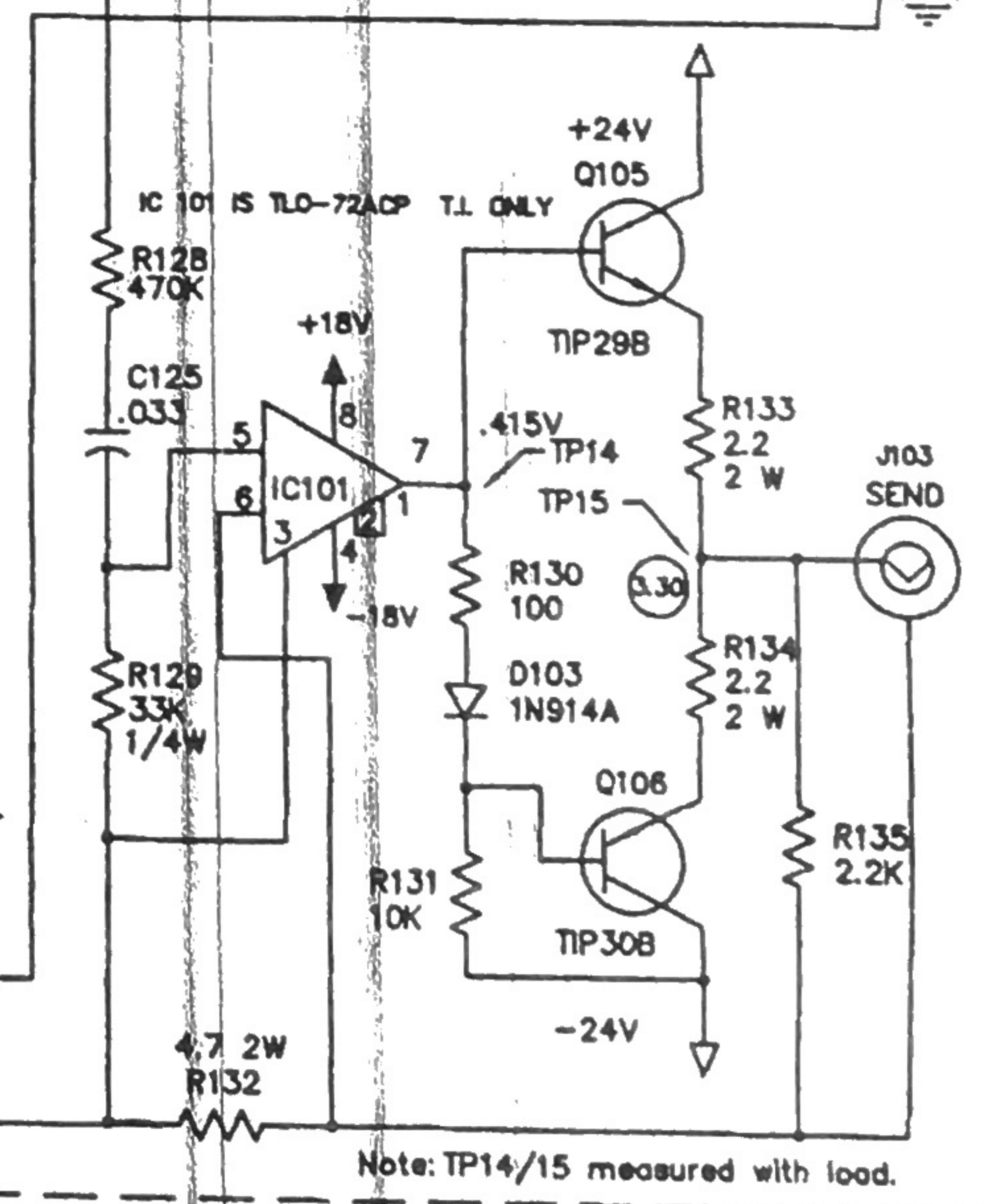
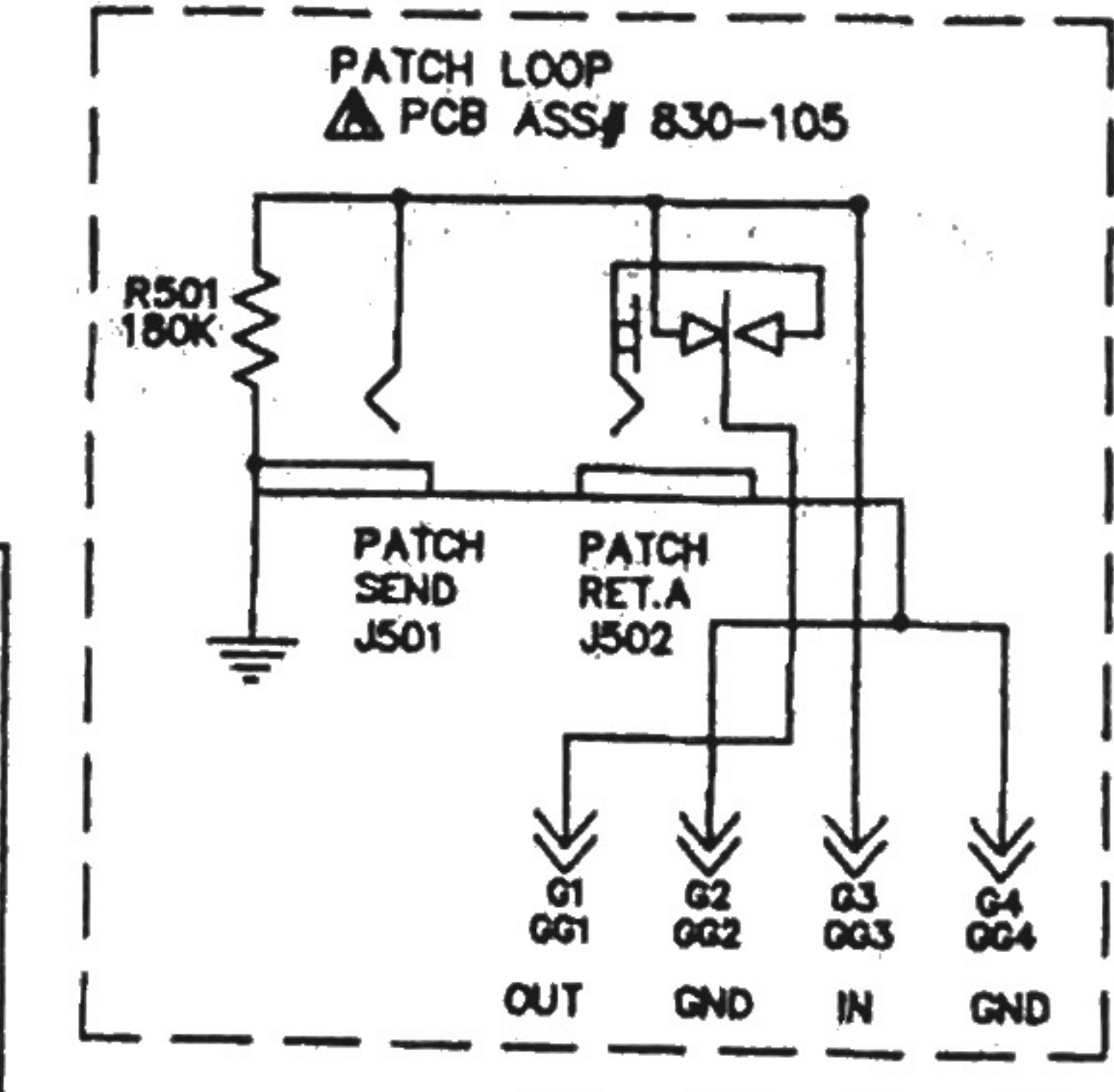
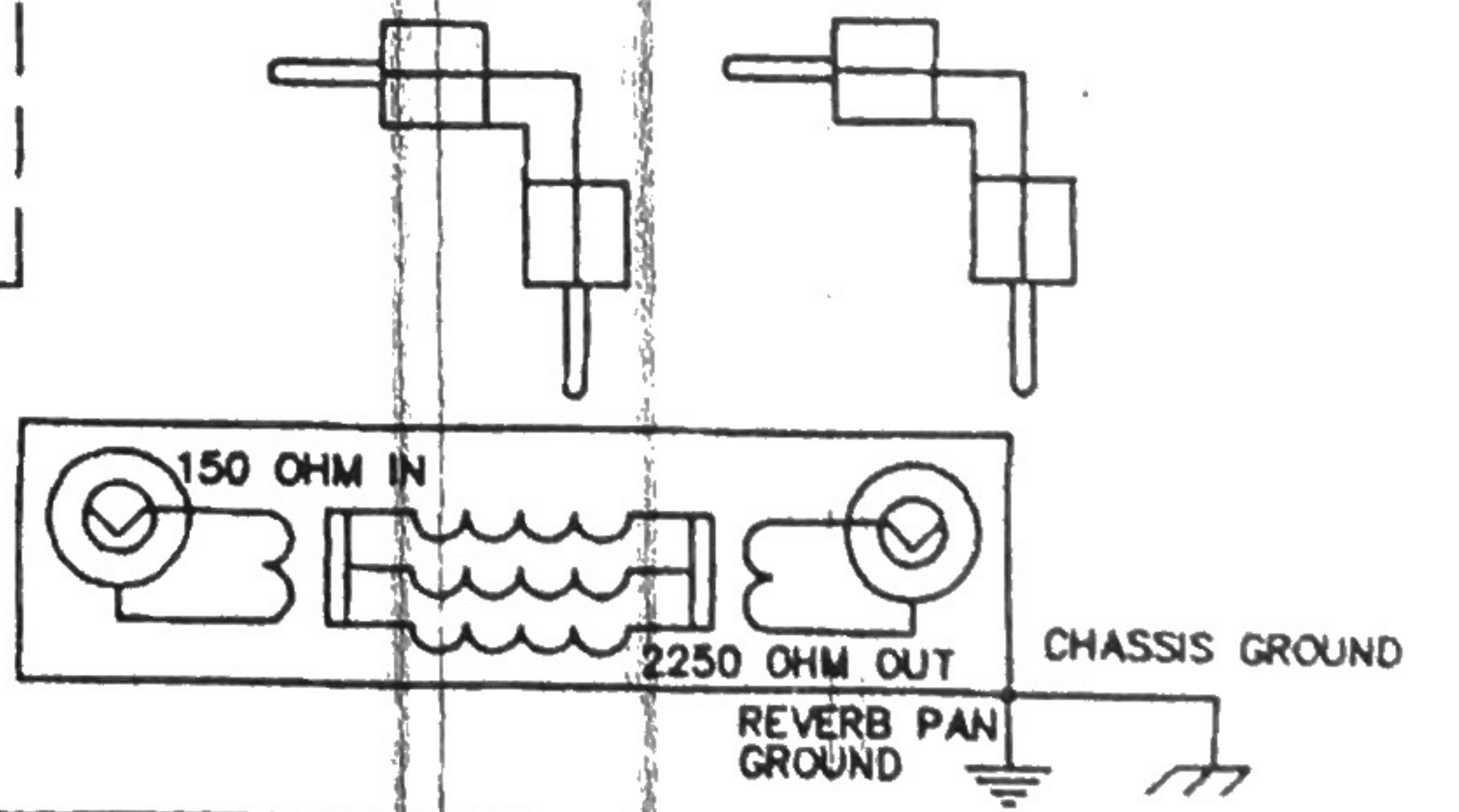


- ⊙ 25W MODELS
- ⊙ 45W MODELS
- ⊙ CSA VERSIONS
- ⊙ NEMKO/CB VERSIONS

- NOTES:
1. ALL COUPLING CAPACITORS MPC TYPE
 2. ALL POWER SUPPLY FILTER CAPS 105C TYPE
 3. WIRE TYPE FOR B+ AND FILAMENTS 105C, TEFLON PREFERRED
 4. ALL TRIODES 12AX7A TYPE
 5. ALL POWER TUBES SHOULD BE REPLACED IN TESTED PAIRS
 6. OBSERVE DIFFERENT GROUND POTENTIALS
 7. DISCHARGE ALL POWER SUPPLY POINTS BEFORE SERVICING
 8. ALL MEASUREMENTS TAKEN AT NOMINAL MAINS VOLTAGE
 9. ALL MEASUREMENTS +/- 20%
 10. TEST SIGNAL 1kHz, 25 mVAC AT PREAMP INPUT
 11. ADJUST PREAMP FOR 2 VOLTS AC AT TP31/21
 12. SET PRESENCE CONTROL AT 1



Note: TP14/15 measured with load.



DRAWN BY PAUL E. RIVERA
LAST REV: 08.14.04
Rev 2.01



Pubster
25/45W Series

C:\ACAD\SCHEM\GSERIES