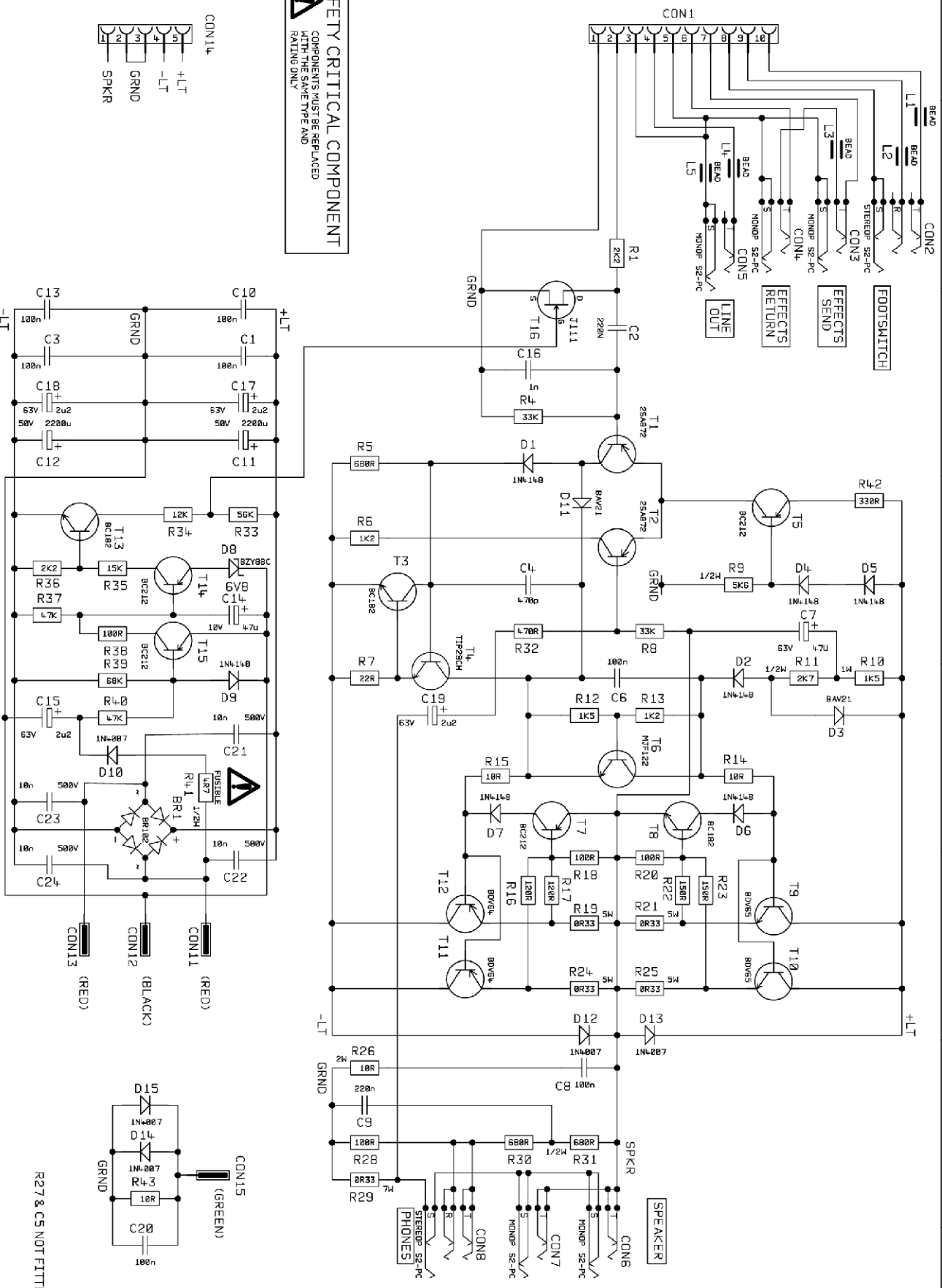
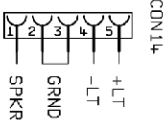


**SAFETY CRITICAL COMPONENT**  
COMPONENTS MUST BE REPLACED  
WITH THE SAME TYPE AND  
RATING ONLY



R27 & C5 NOT FITTED

ALL OTHER HOLES =		MATERIAL THICKNESS		TOLERANCE UNLESS OTHERWISE SPECIFIED	
A		A		A	
B		B		B	
C		C		C	
D		D		D	
E		E		E	
F		F		F	
G		G		G	
H		H		H	
DATE		DATE		DATE	
15/10/98		08/09/95			
ISS		CHECKED		MODEL	
1685/7		B K E I R			
ECONUMBER		DATE		DATE	
2		D			



TITLE  
**VS100  
POWER MODULE**  
DWG. No V100-62-02.DGM  
ISS 2