

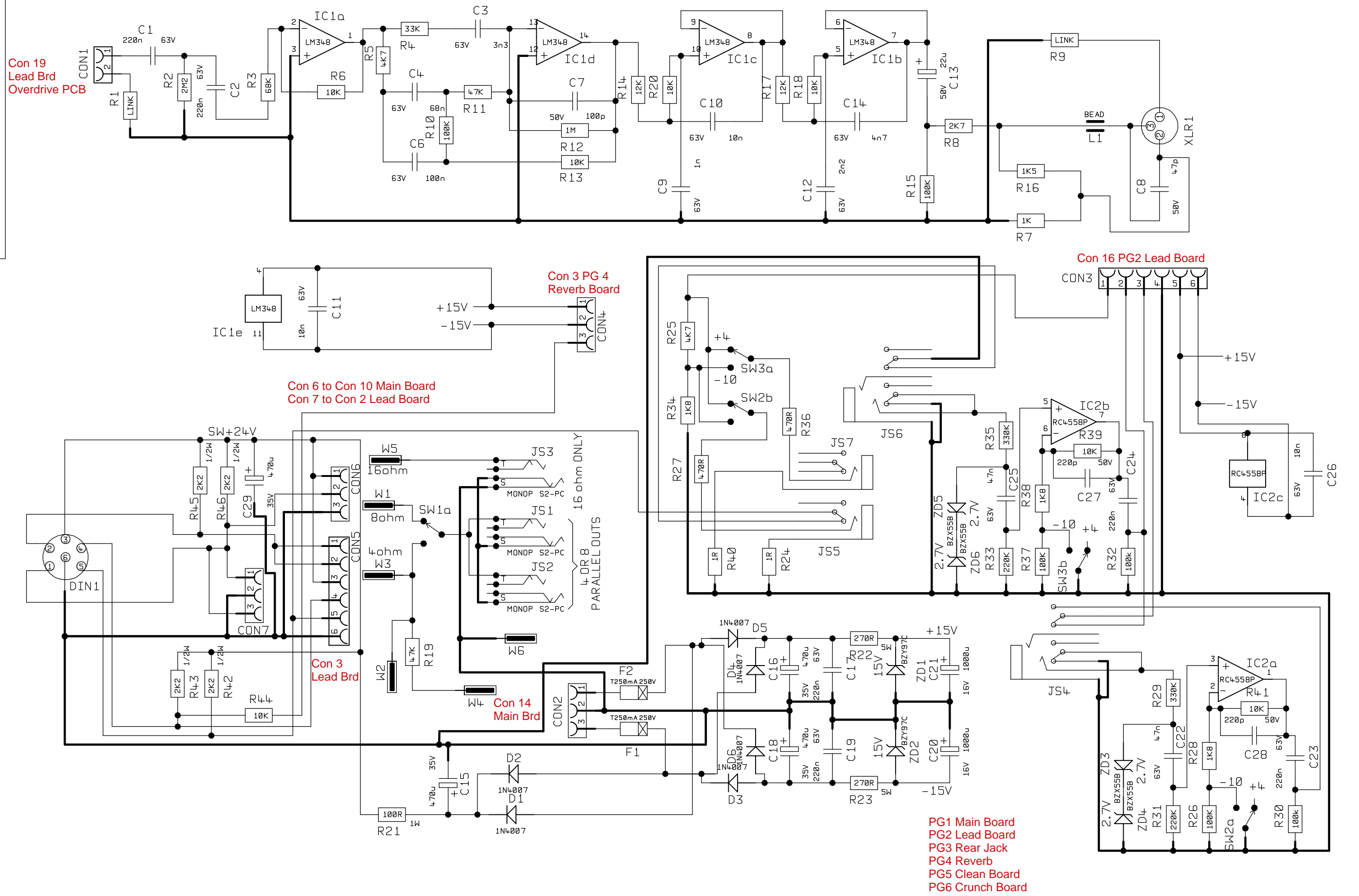
5	2207	3-10-02	ALL OTHER HOLES =	X = (THROUGH PLATED)				MATERIAL	DIMENSIONS IN
4	2018	2-8-01	A	E	J	N	MATERIAL THICKNESS	TOLERANCE (UNLESS OTHERWISE STATED)	
3	PRE-PROD MODS (1567)	23/3/98	B	F	K	P	DRAWN S.G	DATE 19/3/97	
2	1540	17/11/97	C	G	L	Q	CHECKED	DATE	
ISS	ECD NUMBER	DATE	D	H	M	R	APPROVED	DATE	

Marshall
 © MARSHALL AMPLIFICATION PLC
 DENBIGH ROAD, BLETCHLEY, MILTON KEYNES, MK1 1DQ.
 TEL (01908) 375411 FAX (01908) 376118

TITLE TSL100/TSL122
 CIRCUIT DIAGRAM
 DWG.No. TL10-60-02.DGM
 ISS 5

Main Board

DWG.No. TL10-62-02.DGM



6	1663	10/9/98	ALL OTHER HOLES =	X = (THROUGH PLATED)
5	1631	24/4/98	A	E
4	1622	21/4/98	B	F
3	PRE-PROD MODS (1567)	23/3/98	C	G
ISS	ECO NUMBER	DATE	D	H

MATERIAL	DIMENSIONS IN
MATERIAL THICKNESS	TOLERANCE (UNLESS OTHERWISE STATED)
DRAWN SG	DATE 28-12-96
CHECKED	DATE
APPROVED	DATE

MODEL **JCM2000**

Marshall

© MARSHALL AMPLIFICATION PLC
DENBIGH ROAD, BLETCHLEY, MILTON KEYNES, MK1 1DG.
TEL (01908) 375411 FAX (01908) 376118

TITLE	JCM2000 REAR/JACK PCB
DWG.No	TL10-62-02.DGM
ISS	6

