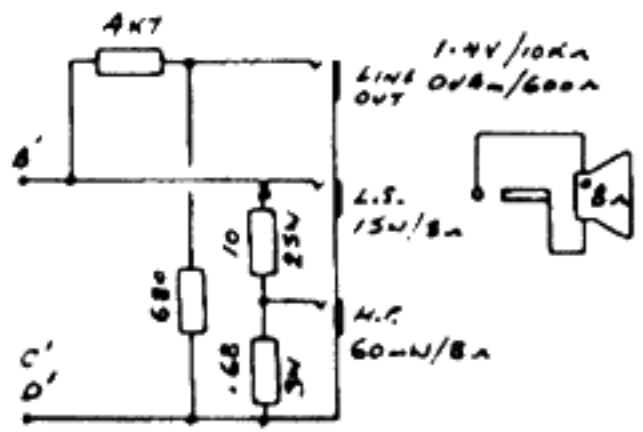
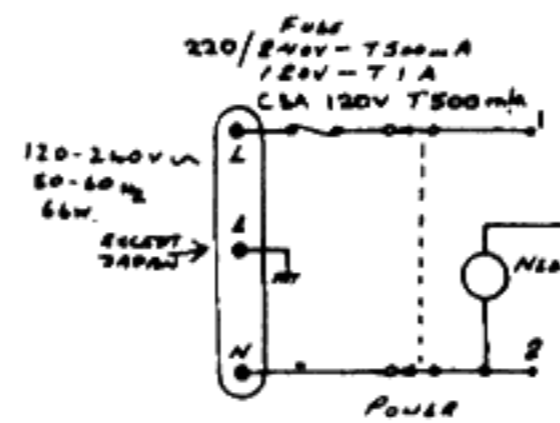


V1, V2 - 6X4/12AX7
V3, V4 - 6V6

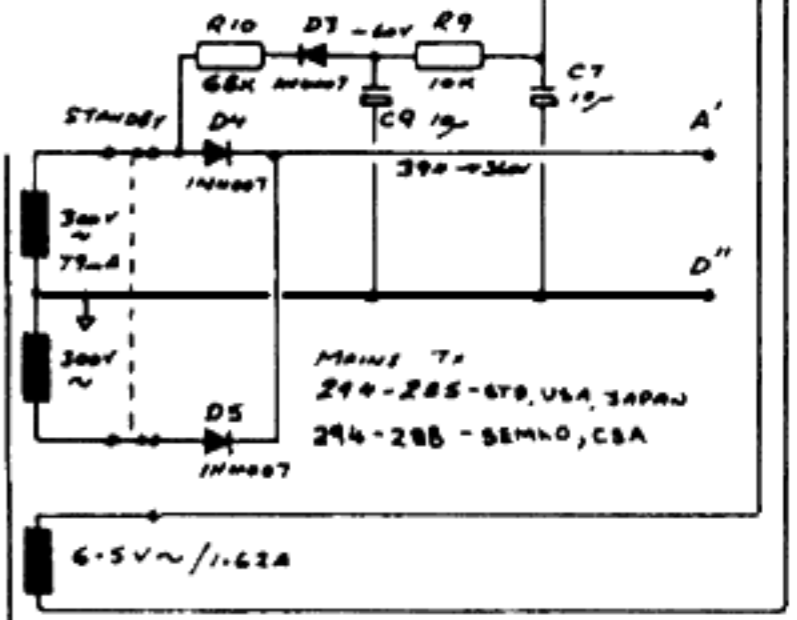
SET R1, R12 - V3, 10 - 12 BAS FOR GOOD BALANCE. VIBRATE BY CHIPPING INTO B1 RESISTIVE LOAD WITH X-OVER NOTCH JUST VISIBLE. APPROX - 34 WAVE D.C.



VOLTAGES SHOWN ARE TYPICAL AND SHOULD BE USED FOR REFERENCE ONLY
 (Y) TYPICAL SIGNAL FOR RATED OUTPUT
 D.C. VOLTAGES QUADRANT EXCEPT SHOWN → INDICATING CHIPPING D.C. LEVEL



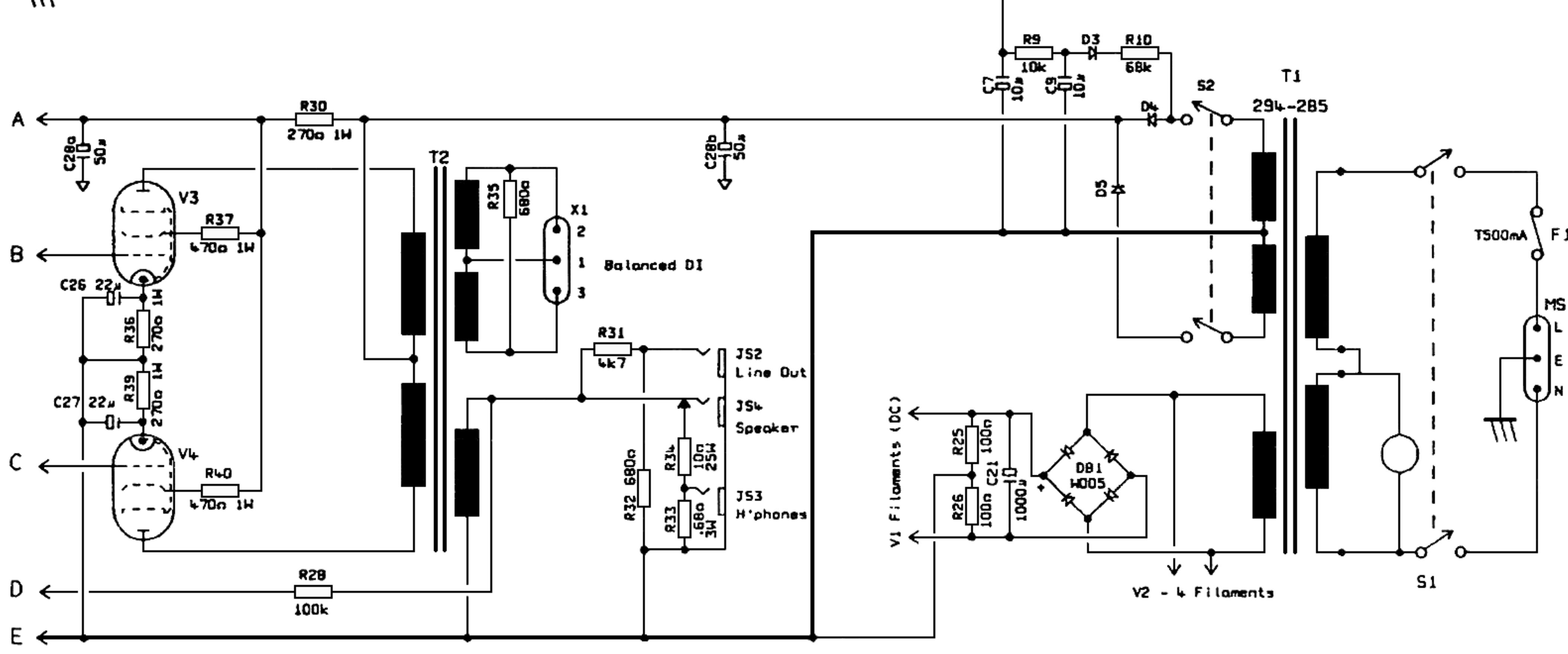
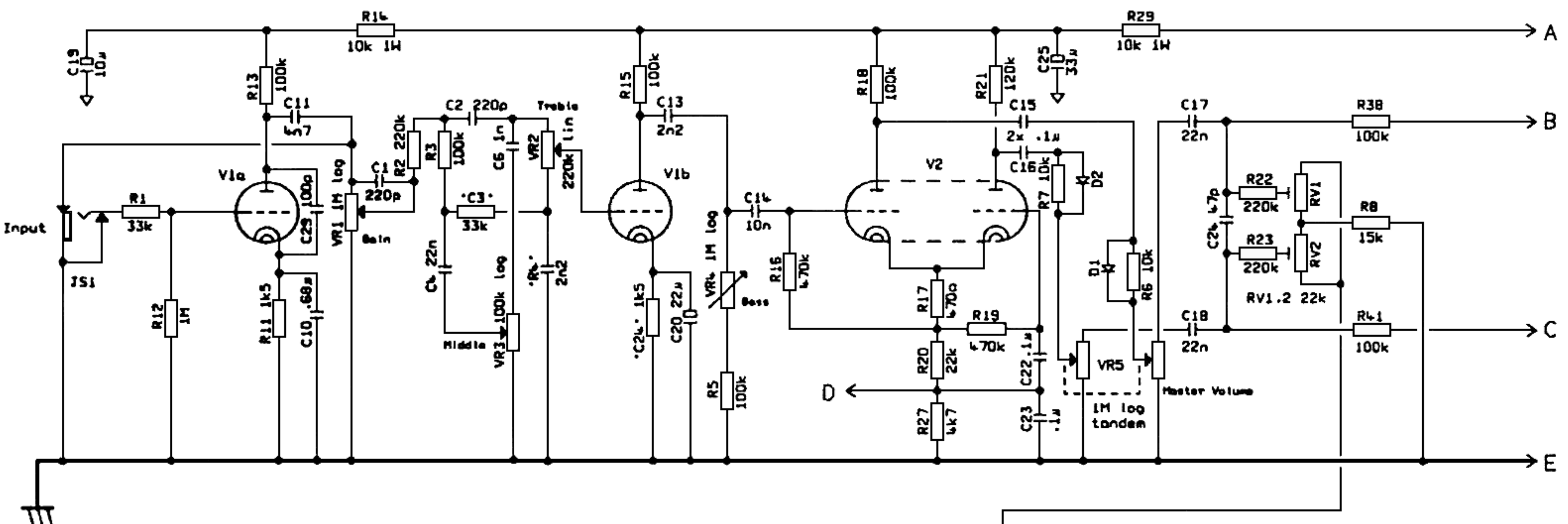
2 CBA-25000 HAVE THERMAL CUT-OUT INTERNALLY ON TX



MAIN T1
294-285-GTD, USA, JAPAN
294-285-SEMHO, CBA

NOTES

PCB: JM98A
 All diodes 1N4007
 Set RV1.2 for good balance visually at clipping into 8 Ω load. crossover distortion just visible.
 V1.2: ECC83
 V3.4: 6V6



1	17-5-88	CPV
ISS. DATE		DRN.
DRAWING NUMBER		
4001 STD		
MARSHALL		
JIM MARSHALL PRODUCTS LTD. BLETCHLEY MILTON KEYNES ENGLAND		
File: 4001.00M		