

# Technical Manual



# JBL EON515/230

## SPECIFICATIONS

### ACOUSTIC & ELECTRICAL SPECIFICATIONS:

- System Power Rating: 450 W continuous, 900 W peak
- Frequency Response: 42 Hz – 18 kHz ( $\pm 3$  dB) (EQ in "Flat" position)
- Frequency Range: 39 Hz – 20kHz (-10 dB) (EQ in "Flat" position)
- LF Power Amp: 350 W continuous at driver impedance
- HF Power Amp: 100 W continuous at driver impedance
- Input Gain (input 3): Mic position: -Infinity to +40 dB  
Line position: -Infinity to +4 dB (+20 dBu Max signal input)
- Input Gain (input 1 & 2): -Infinity to +4 dB (+20) dBu Max signal input)
- Input Impedance: 64 K ohms (balanced) 32 K (unbalanced)
- Boost EQ: LF +3 dB Shelving Filter @ 200 Hz  
HF + 25 dB Shelving Filter @ 4 kHz  
Preset high pass @ 120 Hz
- Low Cut Filter:
- Crossover Frequency: 2.2 kHz

### SYSTEM COMPONENTS:

- Cabinet: (Not for Sale)
- Baffle/Grille Assembly: 441739-001
- Low Frequency Transducer: 265F-1 380 mm (15 in) Differential Drive® integrated woofer with dual 2" voice coils

### SYSTEM COMPONENTS: (CONT'D)

- DC Resistance: 1.35 ohm  $\pm 10\%$
- High Frequency Transducer: 2414H 25.4 mm (1 in ) neodymium compression driver
- DC Resistance: 3.60 ohm  $\pm 0.2\%$
- Input 3 connector: Balanced XLR / 1/4 inch TRS combo jack with XLR loop through
- Input 1 & 2 connectors: Balanced 1/4 inch TRS jack
- Output (Loop/Mix switch): Balanced male XLR, +20 dBu (peak) o/p level in MIX position
- XLR Pin Assignments: Pin 2 (+), Pin 3 (-), Pin 1 (GRN)

### AURAL SWEEP TEST SPECIFICATIONS:

- A. System Aural Sweep Test: 1.0Vrms Input, 20 Hz to 2 kHz  
Ch 1 input all and pots full clockwise
- B. L.F. Aural Sweep Test: 3.5V Input, 10 Hz to 300 Hz
- C. H.F. Aural Sweep Test: .75V Input, 500 Hz to 1.5 kHz

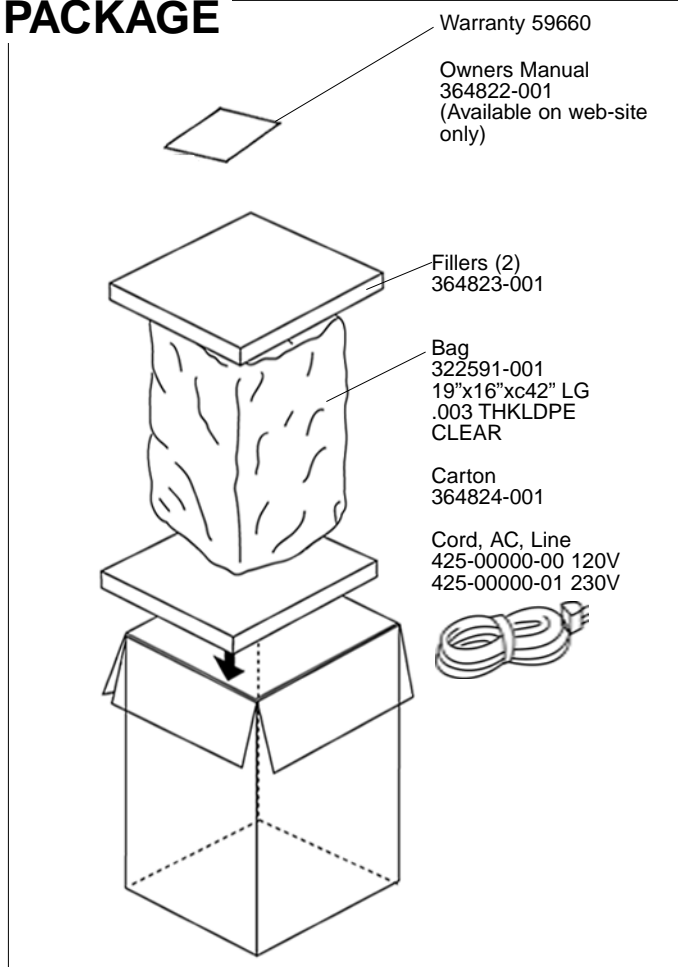
### PHYSICAL SPECIFICATIONS:

- Enclosure Dimensions: 685 x 435 x 366 mm D  
(27.0 x 17.3 x 14.4 in D)
- Shipping Weight: 32.5 lbs. (14.8 kg)

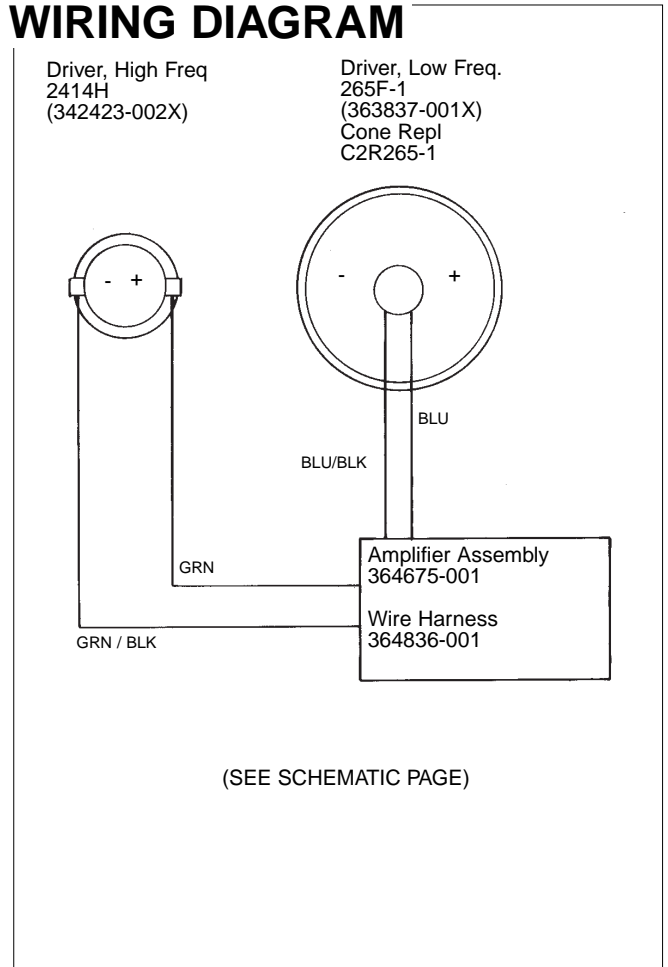
### WARRANTY INFORMATION:

- Refer to Warranty Statement packed with each product.

## PACKAGE



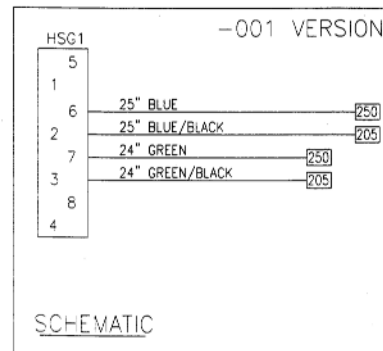
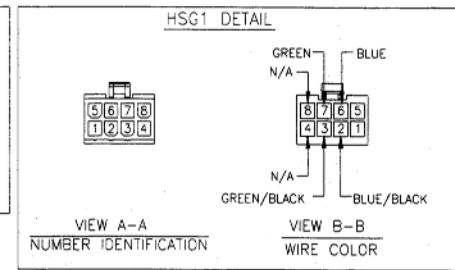
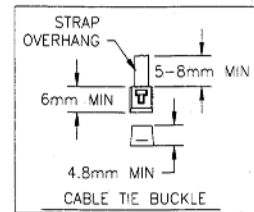
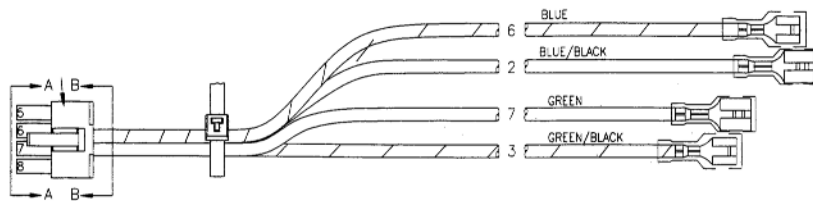
## WIRING DIAGRAM



JBL EON515/230 REVC

# JBL EON515/230

## SCHEMATIC (Wire Harness) 364836-001



# JBL EON515/230

## COMPONENT EXPLODED VIEW

