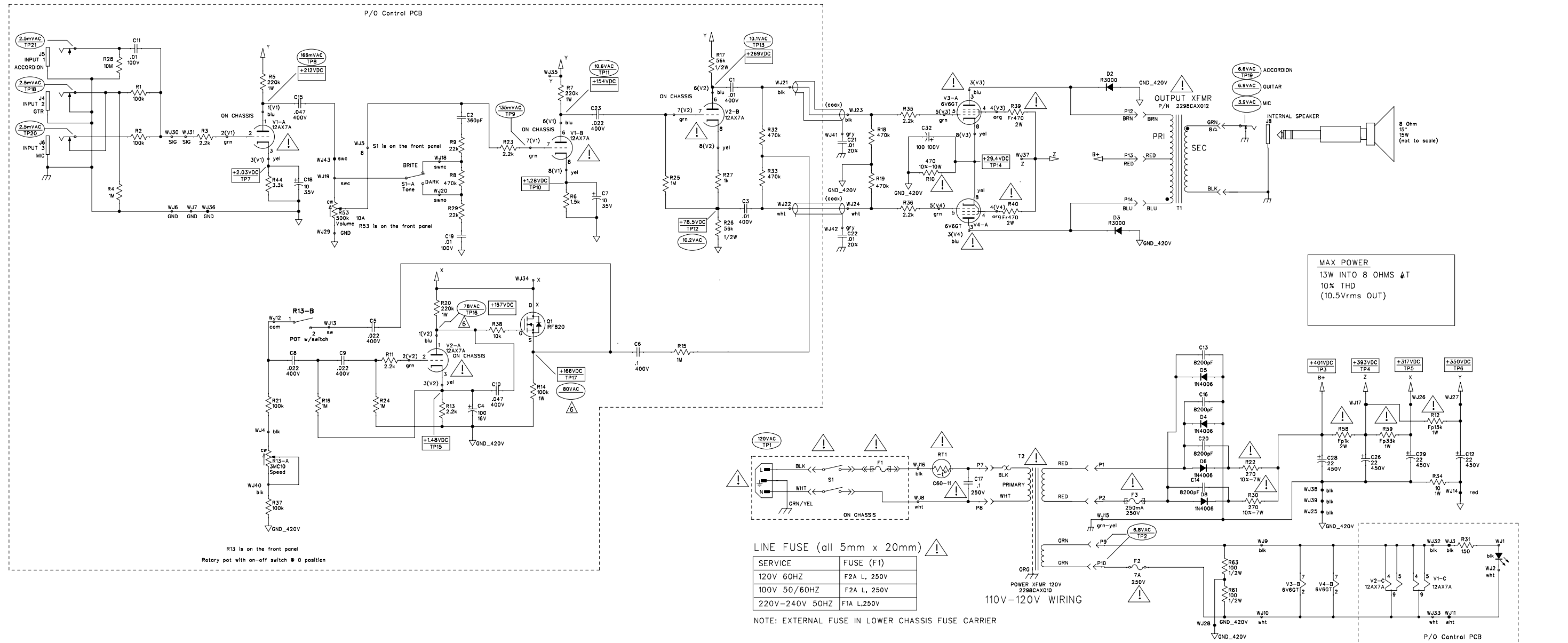
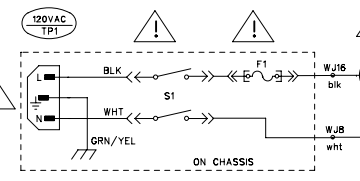


REVISIONS			
REV.	DESCRIPTION	DATE	APPROVED
A	PR2298	05-JAN-12	GMx

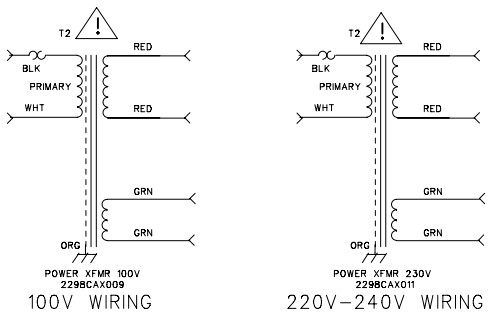


MAX POWER
13W INTO 8 OHMS AT
10% THD
(10.5Vrms OUT)



SERVICE	FUSE (F1)
120V 60HZ	F2A L, 250V
100V 50/60HZ	F2A L, 250V
220V-240V 50HZ	F1A L, 250V

NOTE: EXTERNAL FUSE IN LOWER CHASSIS FUSE CARRIER



7. COMPONENTS MARKED WITH THIS SYMBOL:
- SHALL BE REPLACED WITH EXACT SAME TYPE AS SPECIFIED BY FMC IF SERVICE IS NECESSARY (SAFETY REQUIREMENT).
- AC AND DC VOLTAGES REFERENCED TO GROUND WITH A DIM UNDER THE FOLLOWING CONDITIONS:
UNIT AT RATED LINE VOLTAGE
8 OHM RESISTIVE LOAD CONNECTED AT SPEAKER JACK (J6)
NO AC INPUT (J4, J5 & J6) FOR DC TESTS
ADDITIONAL NOTES FOR AC TESTS (TP = OVAL):
AC INPUT TO GUITAR INPUT (J4-J6) = 10mV AT 1kHz.
VOLUME CONTROL SET TO MAX CW ROTATION.
TREMULO CONTROL SET TO OFF (FULLY CCW) POSITION - EXCEPT FOR AC MEASUREMENTS ON TP16 & TP17.
ROTATE VOLUME & TREMULO CONTROLS CCW WITH AC INPUT TO CONFIRM R13 & R53 OK. MONITOR TP19 OR INTERNAL SPEAKER FOR REDUCED OUTPUT.
5. ALL TUBES INSTALLED IN CHASSIS MOUNTED SOCKETS.
4. THIS SCHEMATIC IS FOR PCB FABRICATION P/N 2298CAX021 AND PCB ASSEMBLY P/N 2298CAX022.
3. ALL POLARIZED CAPACITORS IN μ F, 20% 50V MINIMUM.
2. ALL UNPOLARIZED CAPACITORS IN μ F, 10% OR BETTER; 50V MINIMUM. (POWER SUPPLY BYPASS CAPACITORS ARE 20%).
1. ALL RESISTORS IN OHMS, 5%; 1/4W, UNLESS NOTED.
- NOTES: (UNLESS OTHERWISE NOTED)

THIS DOCUMENT CONTAINS INFORMATION OF A PROPRIETARY NATURE TO FENDER MUSICAL INSTRUMENTS AND IS SUBMITTED TO YOU IN CONFIDENCE AND SHALL NOT BE DISCLOSED OR TRANSMITTED TO OTHERS WITHOUT AUTHORIZATION FROM FENDER MUSICAL INSTRUMENTS.

Fender MUSICAL INSTRUMENTS
Corona, CA U.S.A.

TITLE: SERVICE DIAGRAM, COMBINED (schematic)
PAWNSHOP EXCELSIOR

CHECKED BY: _____
DATE: _____

APPROVED BY: _____
DATE: _____

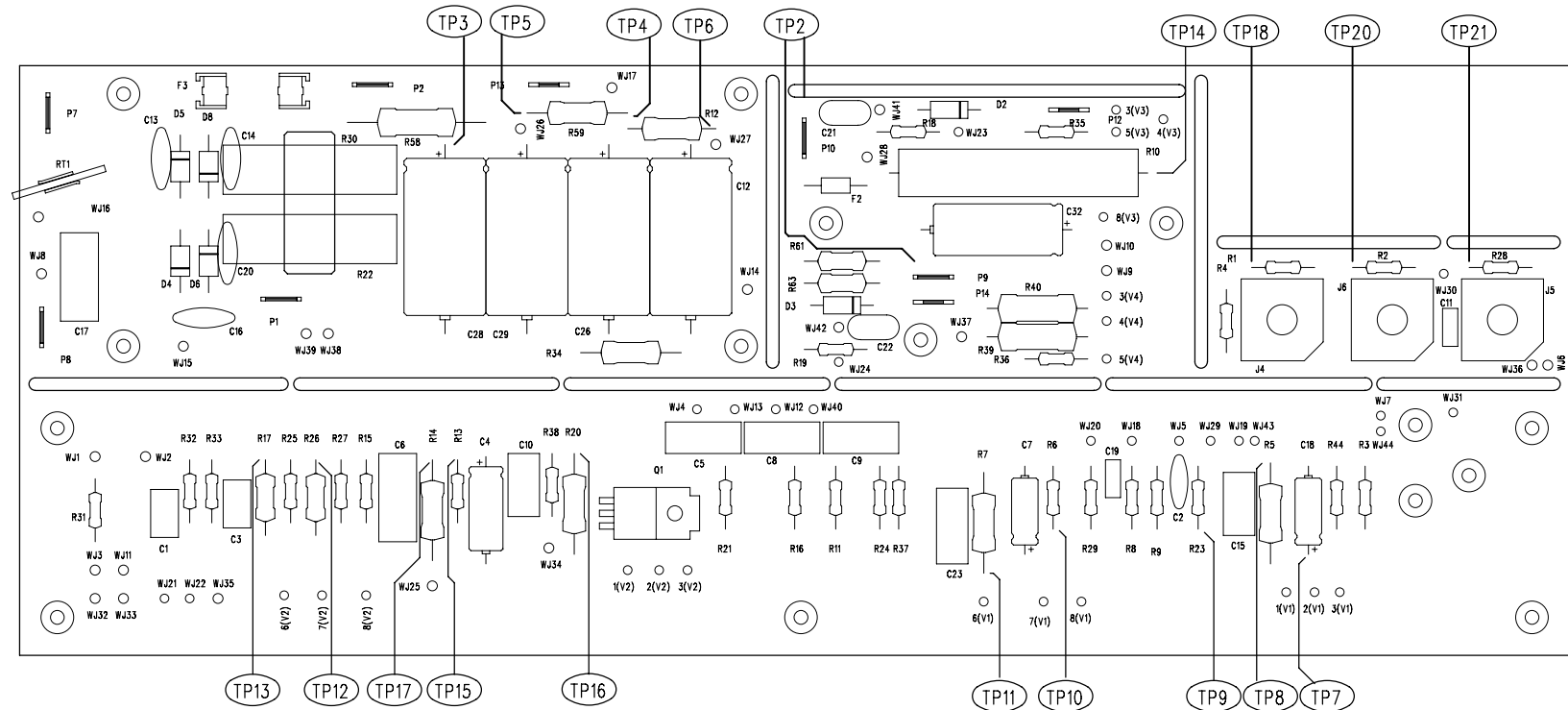
DRAWN: G McMillan ENGR: S MARSHALL
DATABASE FILE: 2298S.SCH

SIZE: **D** DRAWING NUMBER: 2298CAX020 REV. A

RELEASE DATE: 05-JAN-12 SHEET: 1 OF 2


8 | 7 | 6 | 5 | 4 | 3 | 2 | 1

REVISIONS			
REV.	DESCRIPTION	DATE	APPROVED
A	PR2298	05-JAN-12	GMx



FILM/DWG: SERVICE DIAGRAM
 DATABASE: Z2298PA.PCB DATE: 05-JAN-12

NOTES: (UNLESS OTHERWISE NOTED)

THIS DOCUMENT CONTAINS INFORMATION OF A PROPRIETARY NATURE TO FENDER MUSICAL INSTRUMENTS AND IS SUBMITTED TO YOU IN CONFIDENCE AND SHALL NOT BE DISCLOSED OR TRANSMITTED TO OTHERS WITHOUT AUTHORIZATION FROM FENDER MUSICAL INSTRUMENTS.		 MUSICAL INSTRUMENTS Corona, CA U.S.A.	
CHECKED BY: _____ DATE: _____		TITLE: SERVICE DIAGRAM, COMBINED (PCB assy) PAWNSHOP EXCELSIOR PCB assembly, Excelsior	
APPROVED BY: _____ DATE: _____		SIZE C	DRAWING NUMBER 2298CAX020
DRAWN: (dr-name) ENGR: (en-name) DATABASE FILE: ZxyzPn.PCB		RELEASE DATE: 05-JAN-12	SHEET 2 OF 2 REV. A

8 | 7 | 6 | 5 | 4 | 3 | 2 | 1