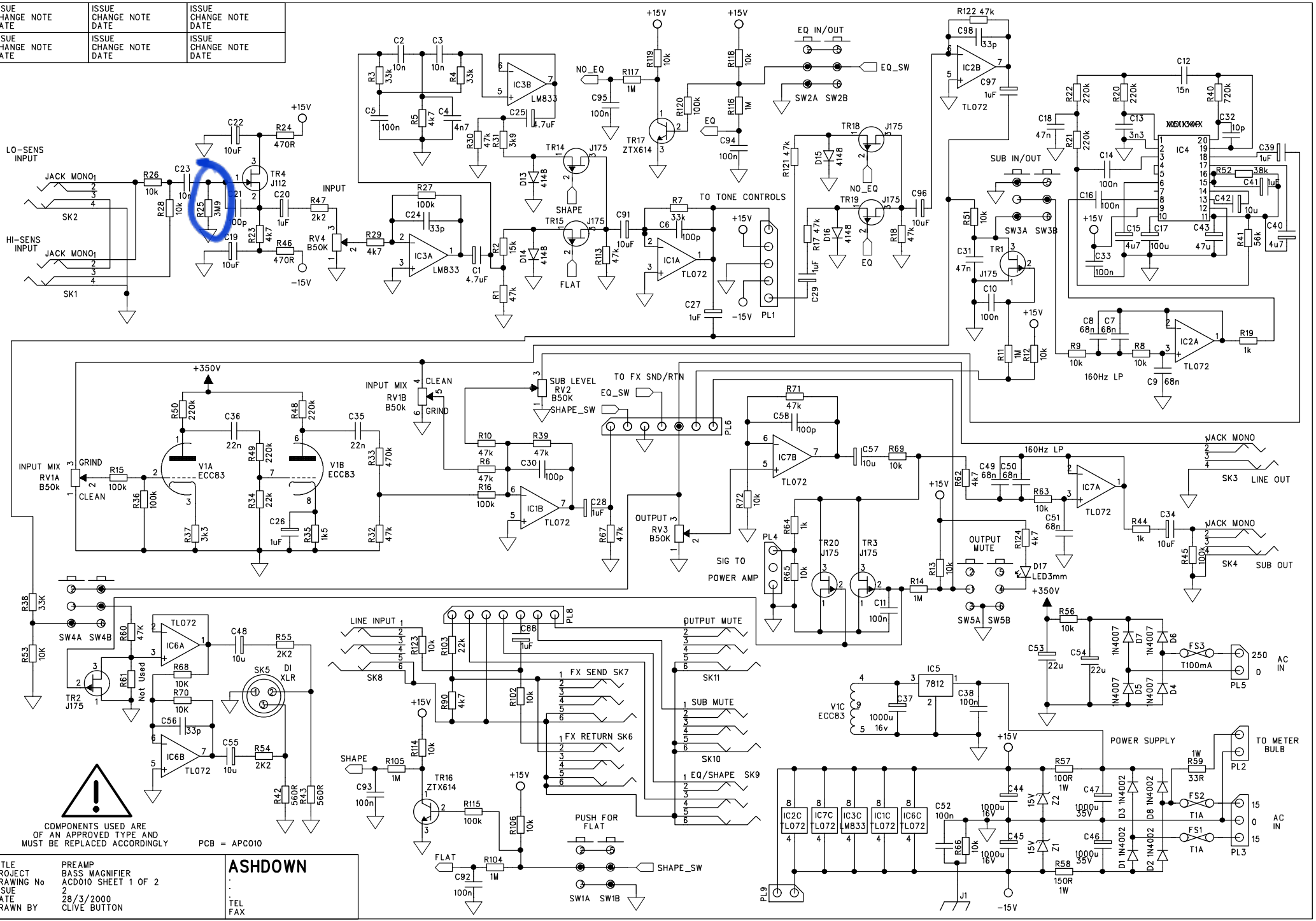


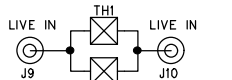
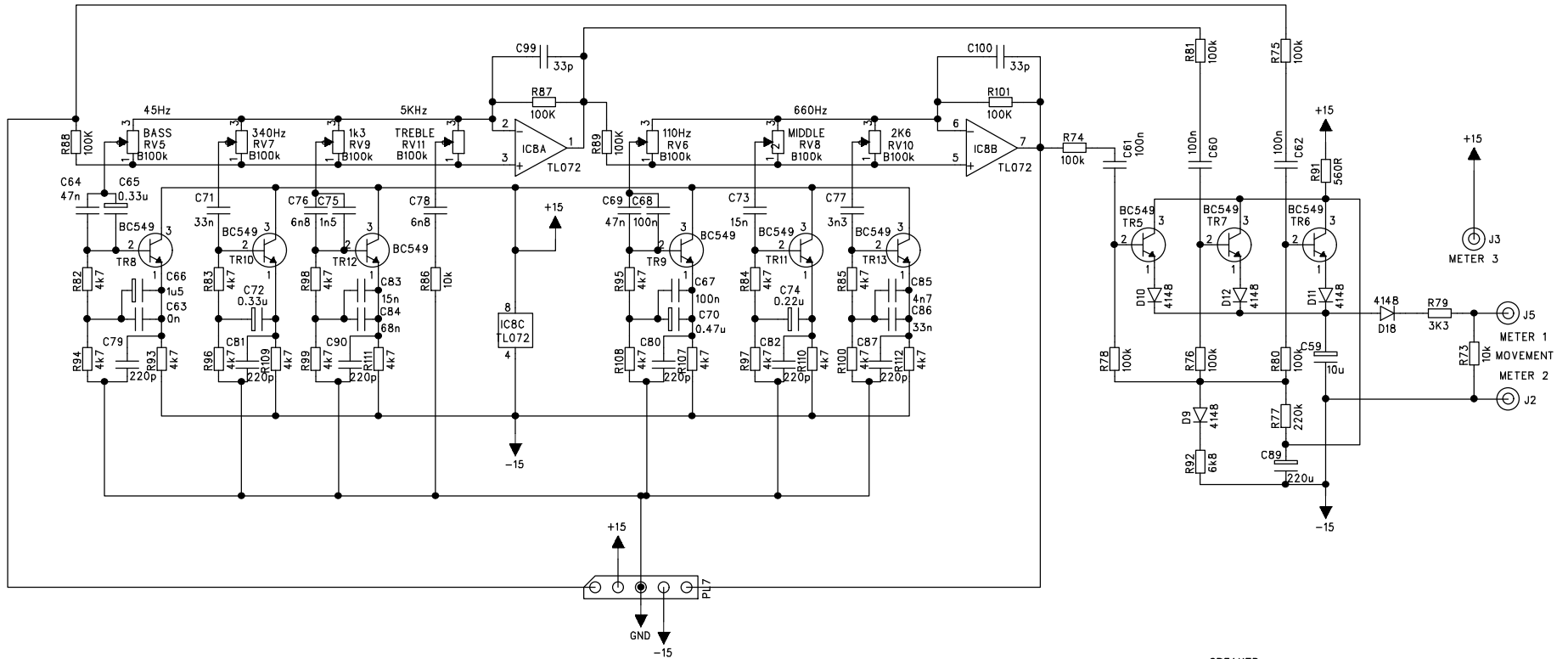
ISSUE CHANGE NOTE DATE	ISSUE CHANGE NOTE DATE	ISSUE CHANGE NOTE DATE
ISSUE CHANGE NOTE DATE	ISSUE CHANGE NOTE DATE	ISSUE CHANGE NOTE DATE



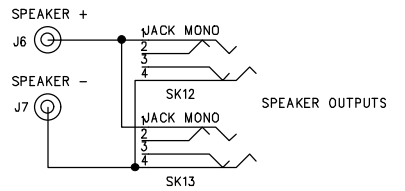
COMPONENTS USED ARE OF AN APPROVED TYPE AND MUST BE REPLACED ACCORDINGLY PCB = APC010

TITLE	PREAMP	<b>ASHDOWN</b>
PROJECT	BASS MAGNIFIER	
DRAWING No	ACD010 SHEET 1 OF 2	
ISSUE	2	
DATE	28/3/2000	
DRAWN BY	CLIVE BUTTON	TEL FAX

ISSUE CHANGE NOTE DATE	ISSUE CHANGE NOTE DATE	ISSUE CHANGE NOTE DATE
ISSUE CHANGE NOTE DATE	ISSUE CHANGE NOTE DATE	ISSUE CHANGE NOTE DATE



SOFT START DEVICE  
IN SERIES WITH MAINS TRANSFORMER

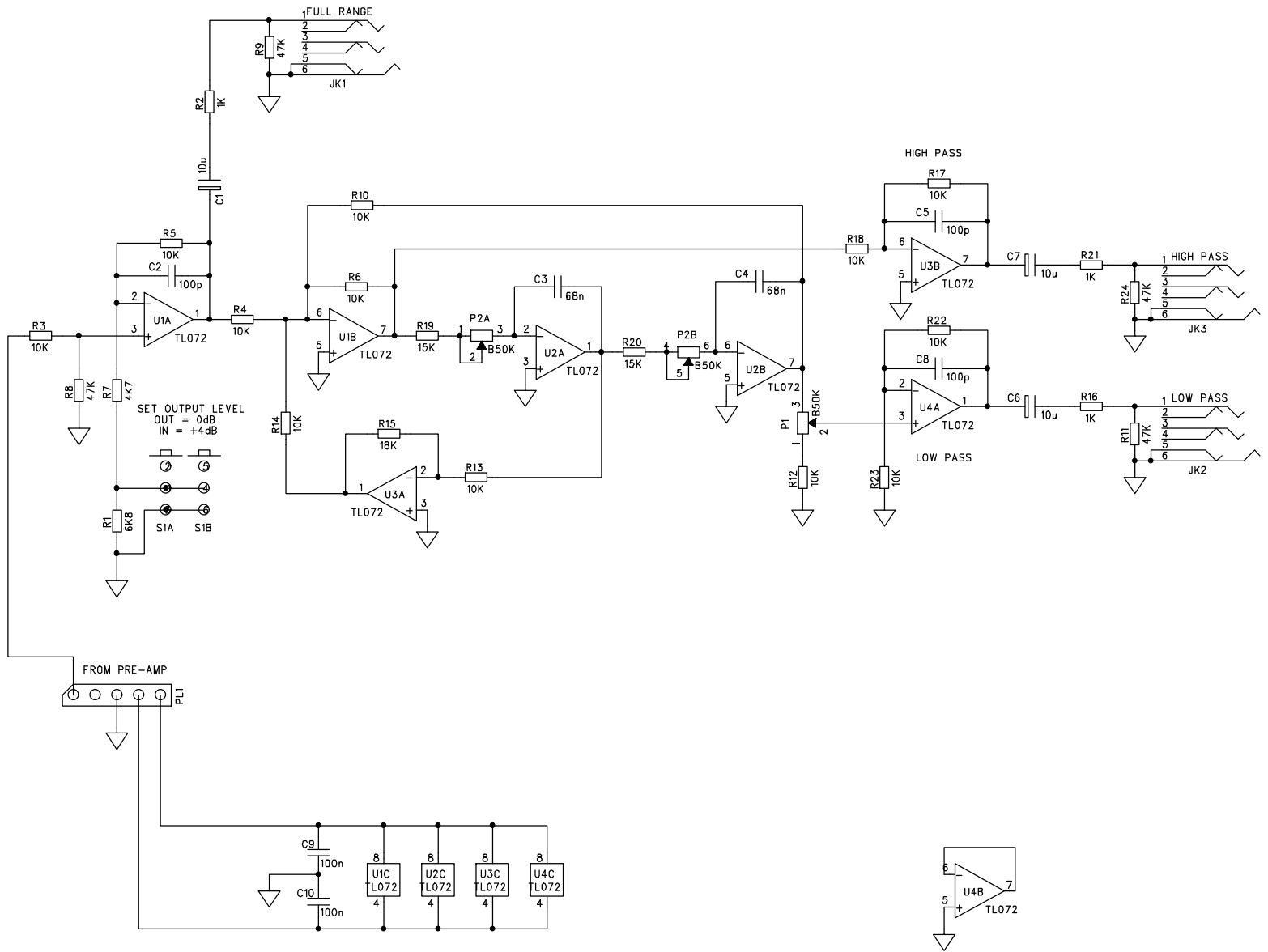


COMPONENTS USED ARE  
OF AN APPROVED TYPE AND  
MUST BE REPLACED ACCORDINGLY

PCB = APC010

TITLE	ASHDOWN
PROJECT	BASS MAGNIFIER
DRAWING No	ACD010 SHEET 2 OF 2
ISSUE	2
DATE	28/3/2000
DRAWN BY	CLIVE BUTTON
	ENGLAND
	TEL
	FAX

ISSUE CHANGE NOTE DATE	ISSUE CHANGE NOTE DATE	ISSUE CHANGE NOTE DATE
ISSUE CHANGE NOTE DATE	ISSUE CHANGE NOTE DATE	ISSUE CHANGE NOTE DATE



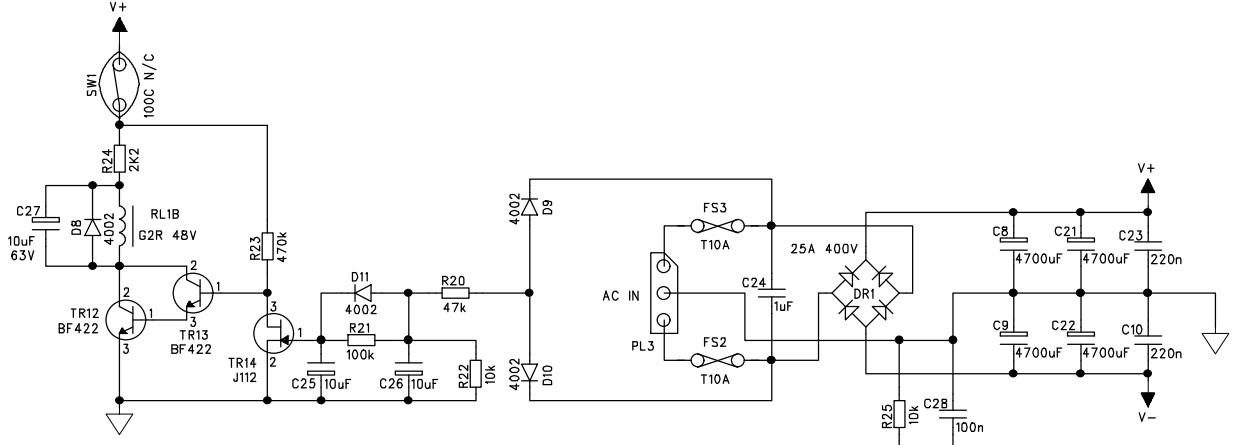
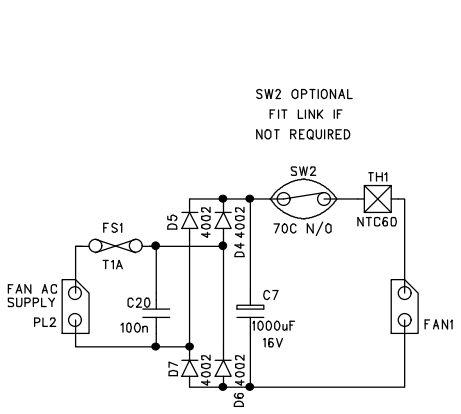
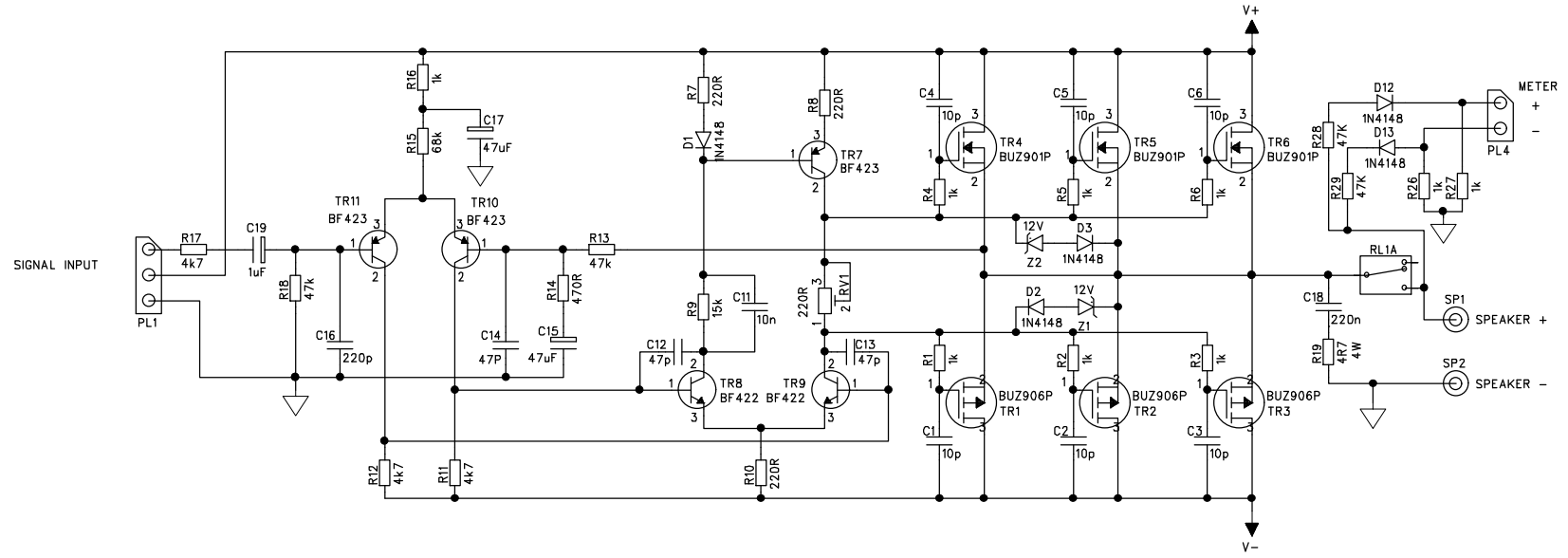
PCB = APC009

TITLE CROSSOVER BOARD  
 PROJECT RACK MAGNIFIER PREAMP  
 DRAWING No AC009  
 ISSUE 1  
 DATE 13/8/99  
 DRAWN BY CLIVE BUTTON

**ASHDOWN**

TEL (01245) 477010  
 FAX (01245) 477020

ISSUE CHANGE NOTE DATE	ISSUE CHANGE NOTE DATE	ISSUE CHANGE NOTE DATE
ISSUE CHANGE NOTE DATE	ISSUE CHANGE NOTE DATE	ISSUE CHANGE NOTE DATE



COMPONENTS SHOWN FOR 400/500 WATT UNIT  
FOR 300 WATT UNIT LEAVE OFF:- TR3,TR6,C21,C22



COMPONENTS USED ARE OF AN APPROVED TYPE AND MUST BE REPLACED ACCORDINGLY

PCB = APC001	TITLE PROJECT DRAWING No ISSUE DATE DRAWN BY	ABM OUTPUT BOARD BASS MAGNIFIER ACD001 3 4/10/99 CLIVE BUTTON	<b>ASHDOWN</b> ENGLAND TEL FAX
--------------	---	--	---