



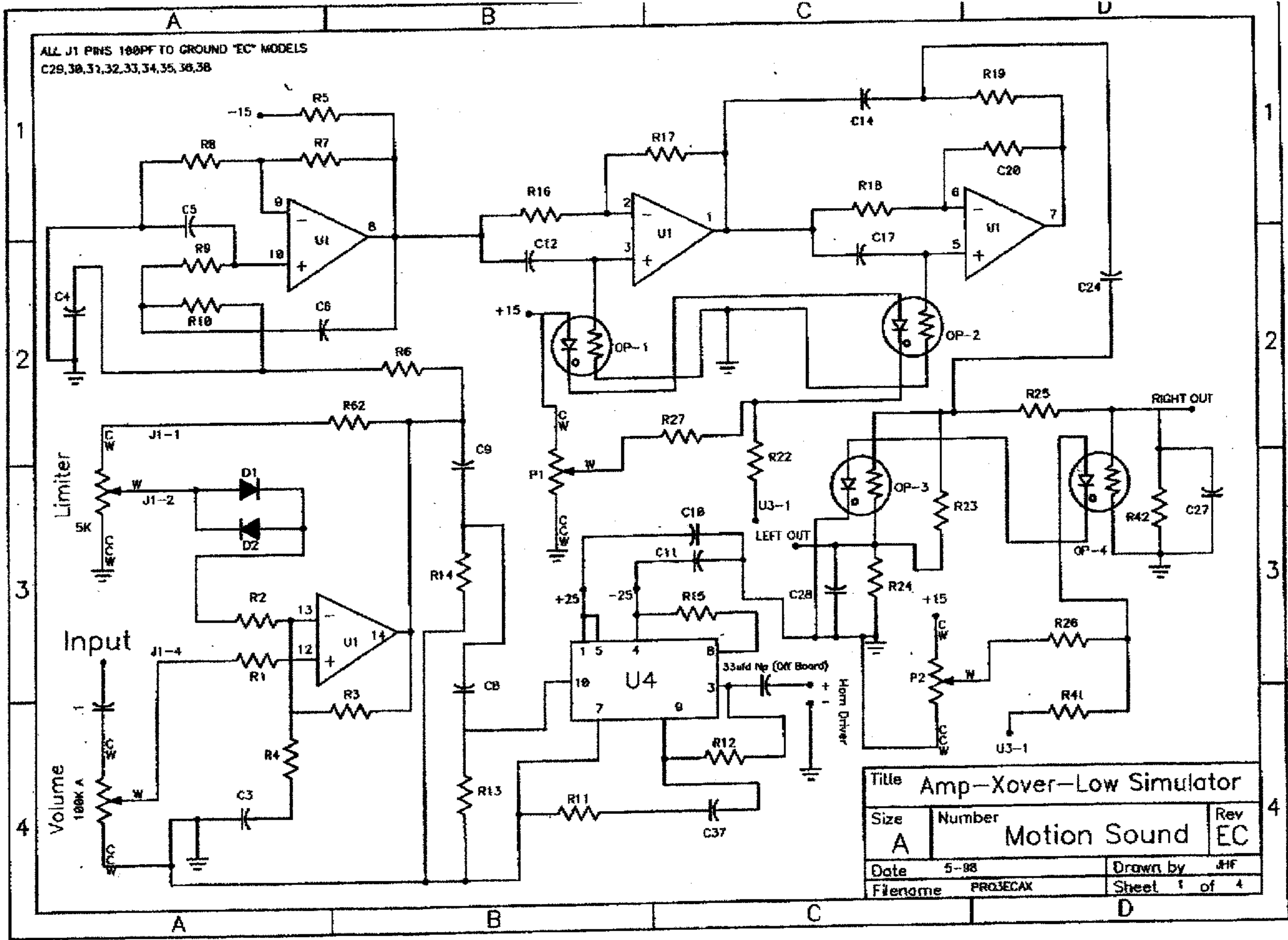
4426 South 450 West, Suite G • Salt Lake City, Utah 84123
Telephone (801) 265-0917 • Fax (801) 265-0978

PRO-3/EC

Service Information

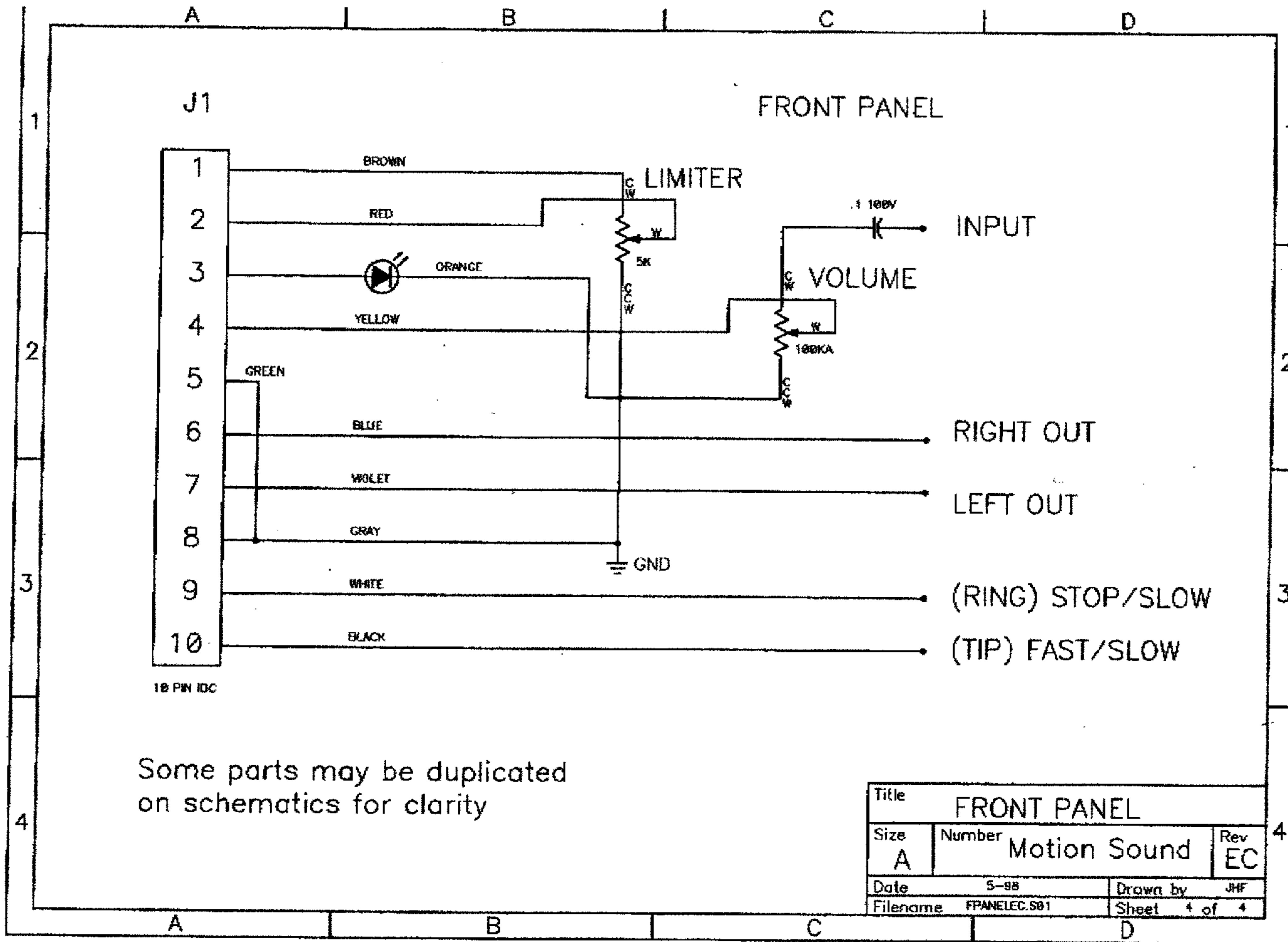
Confidential Materials

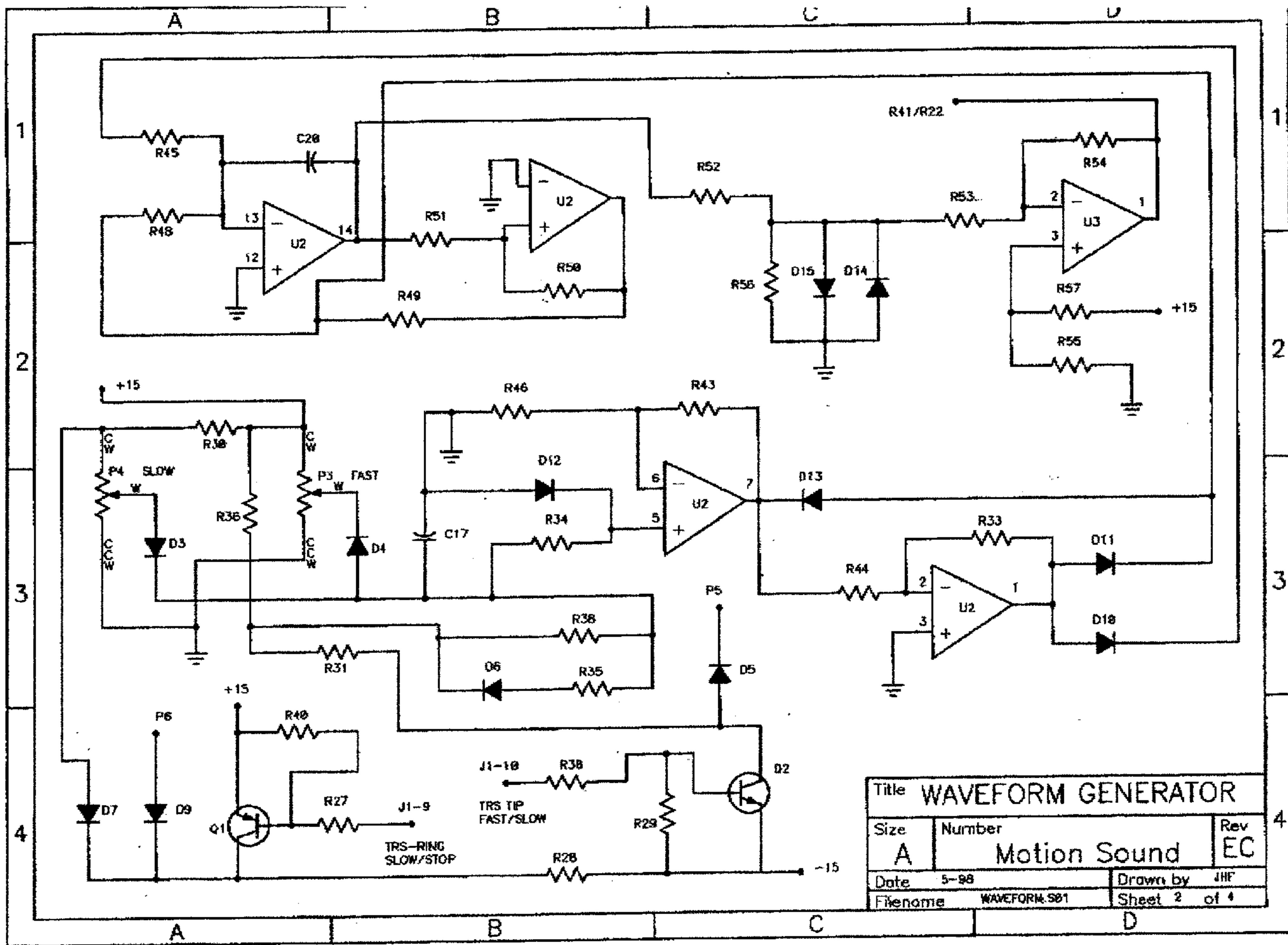
Authorized Personnel Only

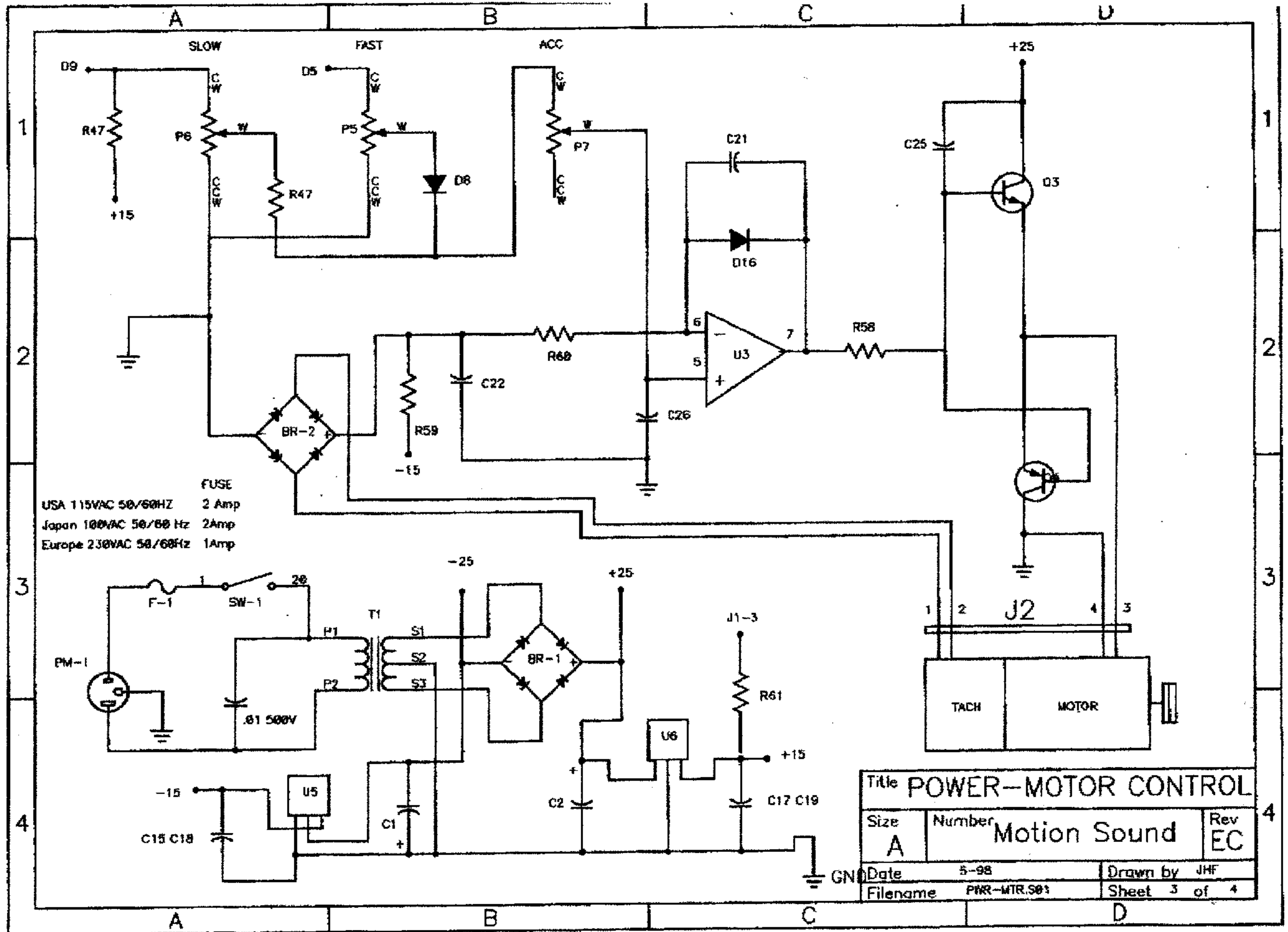


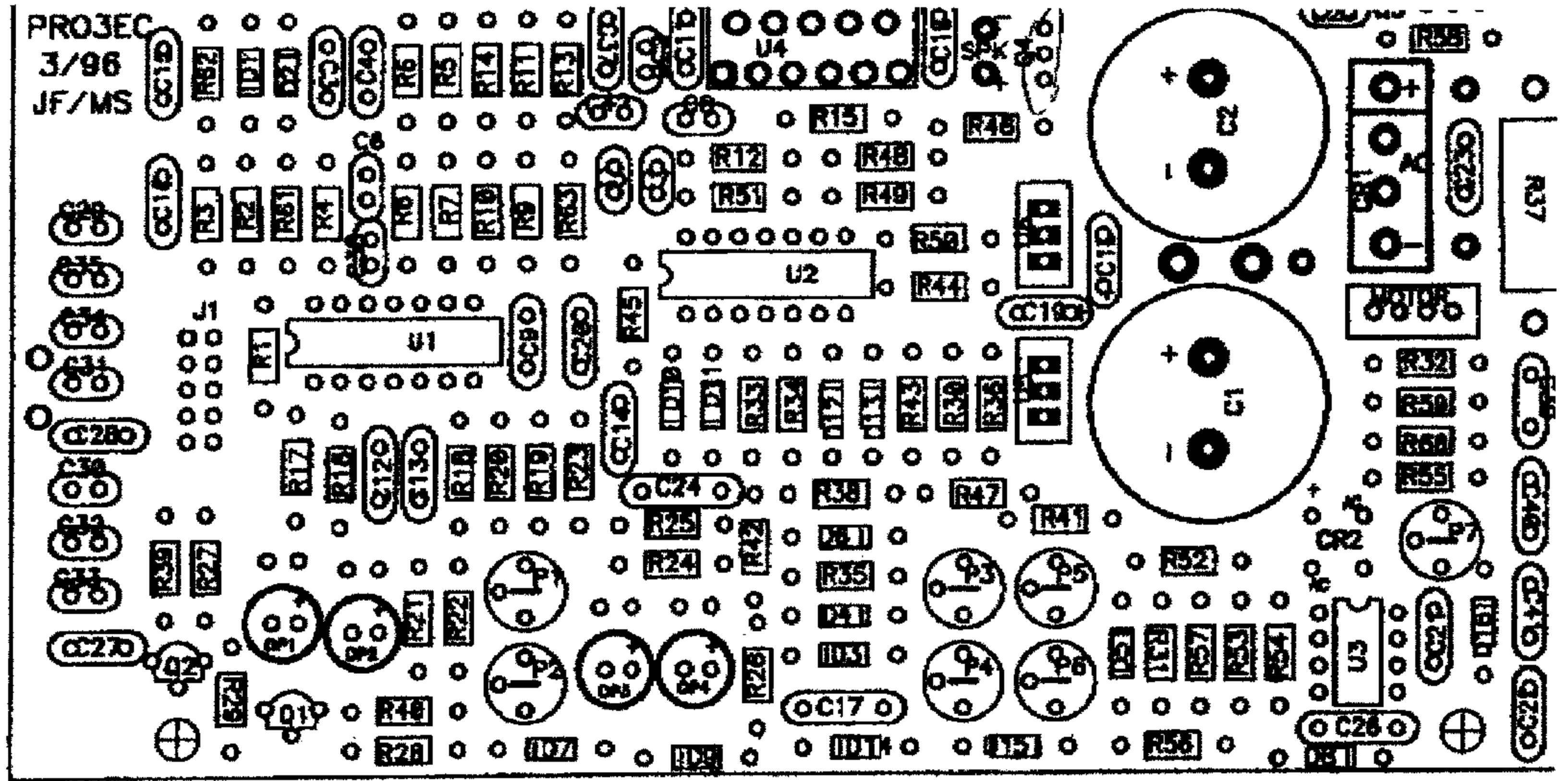
ALL J1 PINS 100PF TO GROUND EC MODELS
C29,30,31,32,33,34,35,36,38

Title Amp-Xover-Low Simulator		
Size A	Number Motion Sound	Rev EC
Date 5-98	Drawn by JHF	
Filename PROJECAX	Sheet 1 of 4	









POT Function Adjustment

P1	Low Rotor Effect Center	Smooth Waveform movement
P2	Left Right Balance	Even Low Rotor output
P3	Low Rotor Fast	175 MS Interval
P4	Horn Motor Fast	1.5 Second Interval
P5	Low Rotor Slow	150 MS Interval
P6	Horn Motor Slow	1.25 Second Interval
P7	Horn Motor Acceleration	Center Range

Factory Settings – User May change to preference.

Bill of Materials

PRO3EC.PCB

Quantity	Type	Value	Ref Designators
16	1N4148		D1, D2, D3, D4, D5, D6, D7, D8, D9, D10, D11, D12, D13, D14, D15, D16
1	10Pin Header		J1
1	7815C	+15V 1 AMP	U6
1	7915C	-15V 1 AMP	U5
2	AXIAL	4700 35	C1, C2
1	CAR	1K	R56
4	CAR	2K	R1, R19, R31, R61
3	CAR	5.1K	R2, R28, R42
24	CAR	10K	R4, R6, R7, R8, R14, R16, R17, R18, R20, R25, R27, R29, R33, R34, R36, R39, R40, R43, R44, R46, R49, R51, R52, R57
1	CAR	10M	R59
1	CAR	10k	R11
2	CAR	16K	R5, R50
3	CAR	22K	R15, R23, R41
2	CAR	22M	R35, R38
1	CAR	33K	R26
8	CAR	100K	R9, R10, R13, R21, R30, R47, R53, R60
1	CAR	100k	R12
1	CAR	200K	R22
4	CAR	390K	R3, R32, R45, R48
4	CAR	470	R24, R55, R58, R62
1	CAR	680K	R54
1	CAR	OMIT	R63
1	CEMENT 3W	Jumper	R37
9	CER	100PF	C29, C30, C31, C32, C33, C34, C35, C36, C38
1	CER	470PF	C25
1	EVN-36CA00B	1M	P7
5	EVN-36CA00B--	10K	P1, P2, P3, P4, P6
1	EVN-36CA00B--	100K	P5
1	KBU4J BRIDGE	6 AMP 400V	CR1
1	LM3886TF		U4
1	MTA4		MOTOR
2	MY	OMIT	C7, C42
3	MY100	.0022	C5, C6, C8
2	MY200	.01	C12, C13
3	MY200	.022	C4, C9, C14
10	MY200	.1	C10, C11, C15, C16, C20, C21, C22, C23, C27, C28
3	MY200	DELETE	C39, C40, C41
2	MY250	.22	C3, C37
3	MY300	1UFD	C17, C24, C26
1	NPN	2N4401	Q2
1	NPN DAR	TIP120	Q3
4	NSL-32-017		OP1, OP2, OP3, OP4
1	PNP	2N4402	Q1

1	PNP	TIP32	Q4
2	TANT	.33	C18, C19
1	TLO62CN		U3
1	TLO64CN		U2
1	TLO74CN		U1
1	WLO6 BRIDGE	.5 AMP 100V	CR2