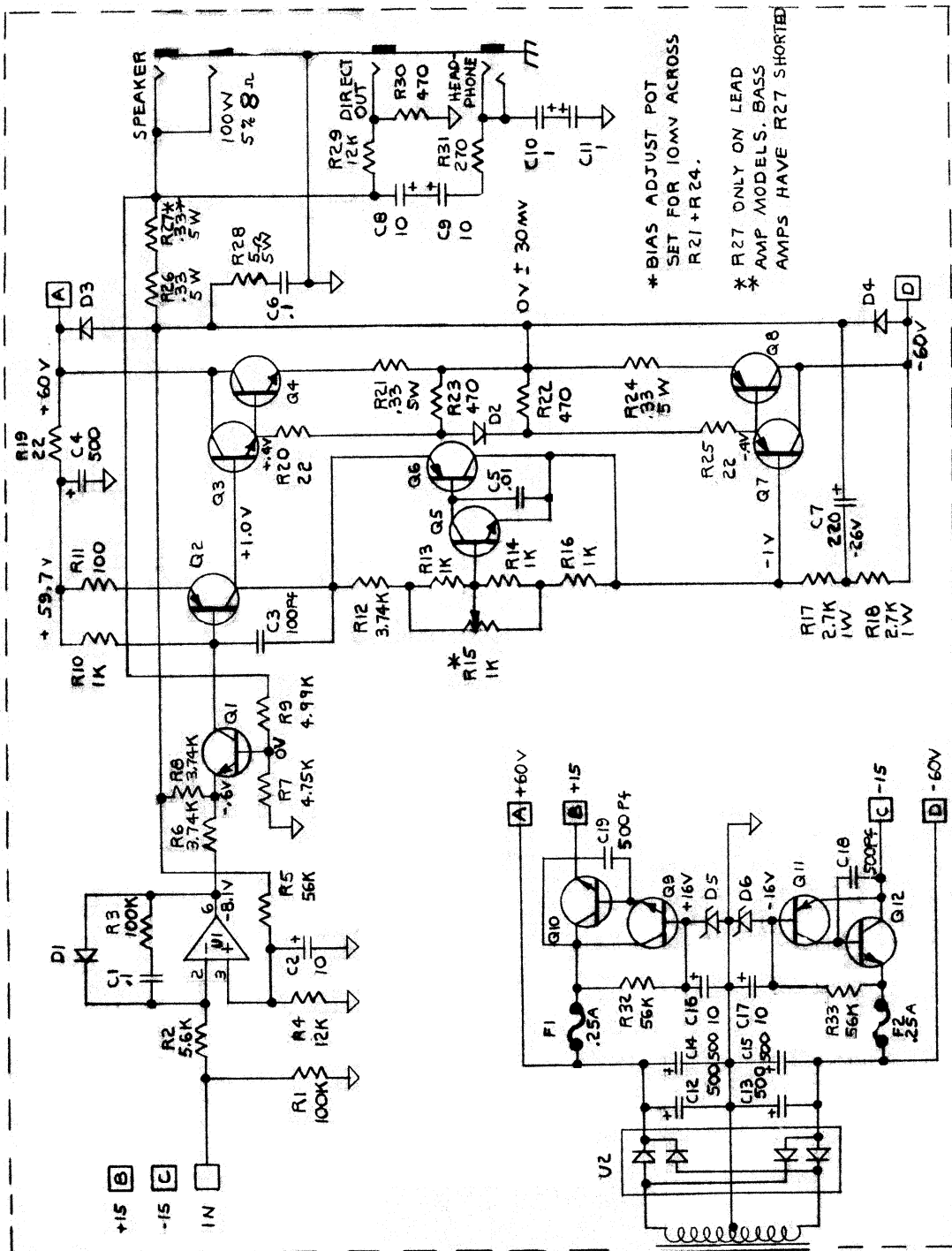
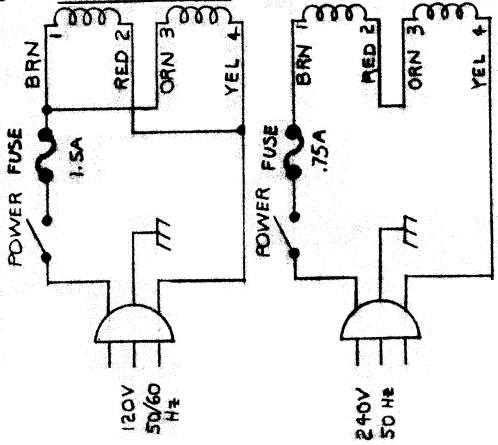
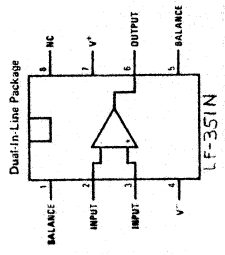


- Q1,5,9 -MPS-A06
- Q2,7 -MJE-15031
- Q3 -MJE-15030
- Q4 -MJ-15001
- Q6,11 -MPS-A56
- Q8 -MJ-15002
- Q10,12 -TIP-31A
- U1 -LF351N
- U2 -KBPC102
- D1,2,3,4 -1N4002
- D5,6 -1N966



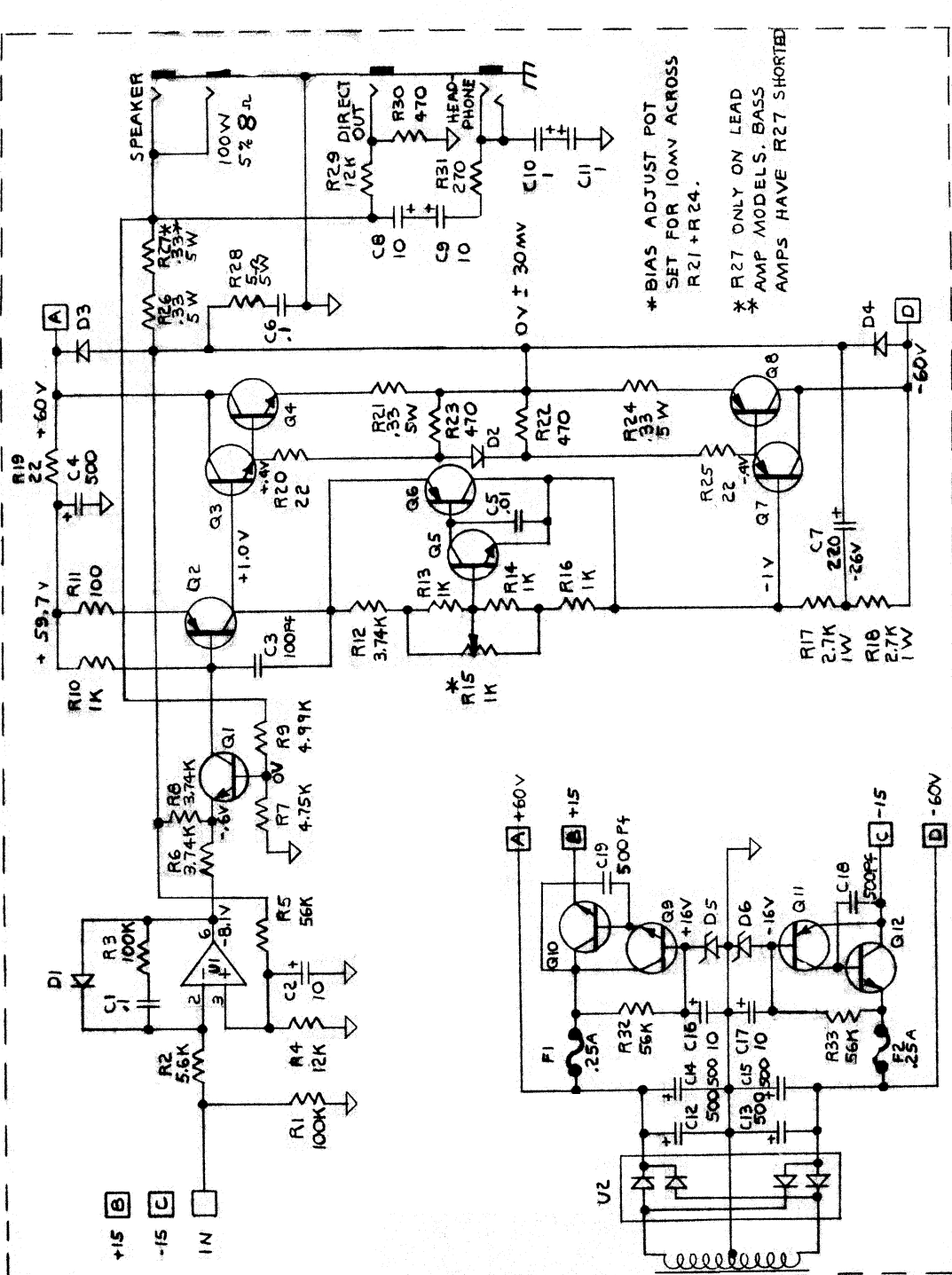
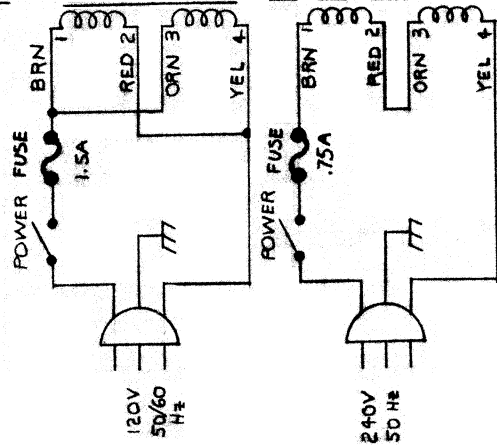
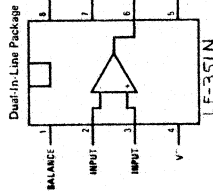
\* BIAS ADJUST POT  
SET FOR 10mV ACROSS  
R21+R24.

\* R27 ONLY ON LEAD  
\* AMP MODELS. BASS  
AMPS HAVE R27 SHORTED

6-1-B1	GALLIEN-KRUEGER
R.A. GALLIEN	100 W POWER AMP
SN1052B	SN12162 60039B

MODELS  
112LC 200RB  
210LC 200RG  
212LC 115BC

- Q1,5,9 -MPS-A06
- Q2,7 -MJE-15031
- Q3 -MJE-15030
- Q4 -MJ-15001
- Q6,11 -MPS-A56
- Q8 -MJ-15002
- Q10,12 -TIP-31A
- U1 -LF351N
- U2 -KBPC 102
- D1,2,3,4 -1N4002
- D5,6 -1N966



\* BIAS ADJUST POT  
SET FOR 10mV ACROSS  
R21+R24.

\* R27 ONLY ON LEAD  
\* AMP MODELS, BASS  
AMPS HAVE R27 SHORTED

6-1-B1	GALLIEN-KRUEGER
R.A. GALLIEN	100 W POWER AMP
SN1052B	SN12162 60039B

MODELS  
112LC 200RB  
210LC 200RG  
212LC 115BC