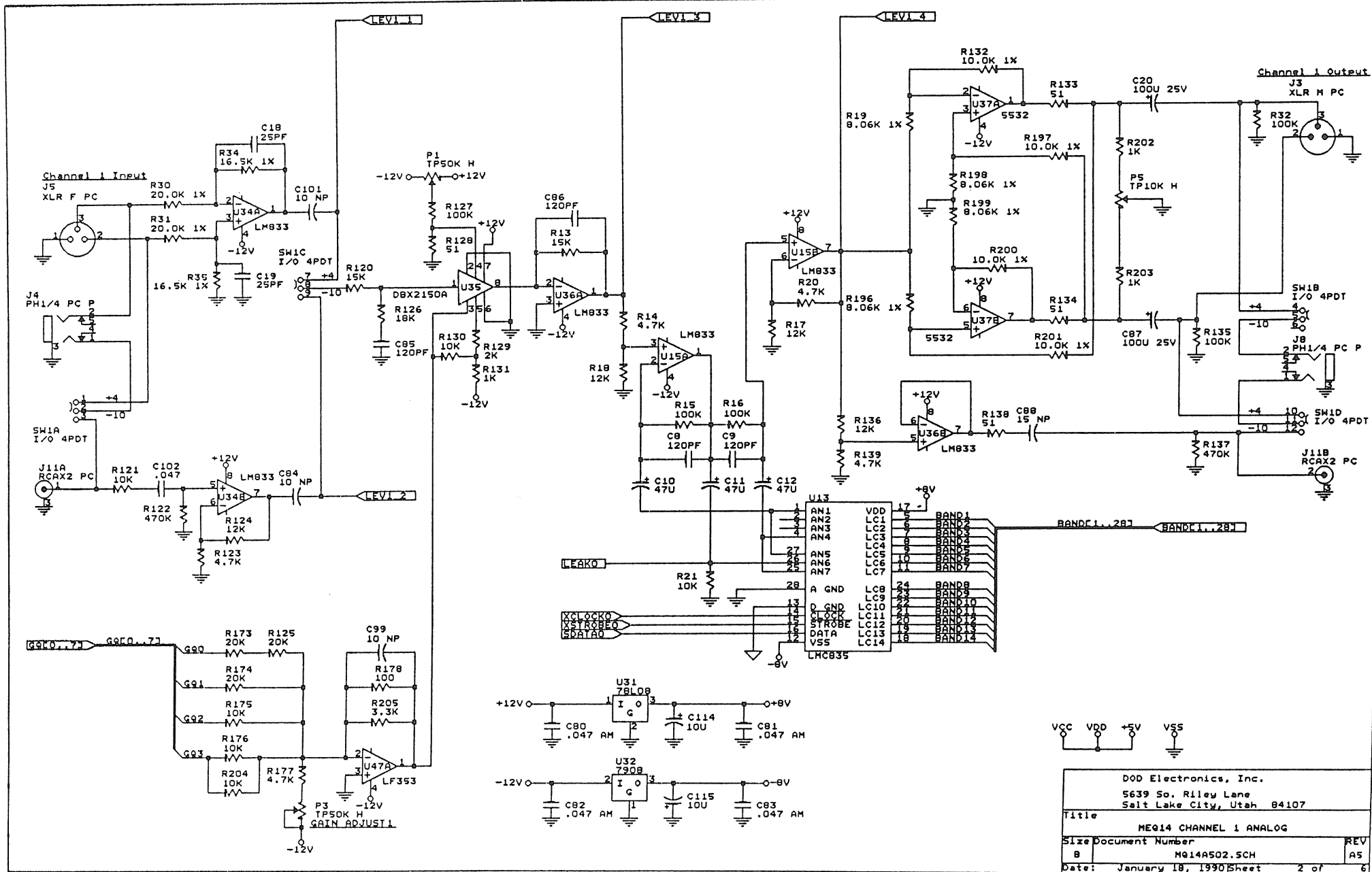


DOD Electronics Inc.
 5639 So. Riley Lane
 Salt Lake City, Utah 84107

Title: MEO-14 PROCESSOR AND MEMORY

Size Document Number: 8 H014A501.SCH

Date: January 22, 1990 Sheet: 1 of 8



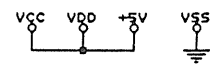
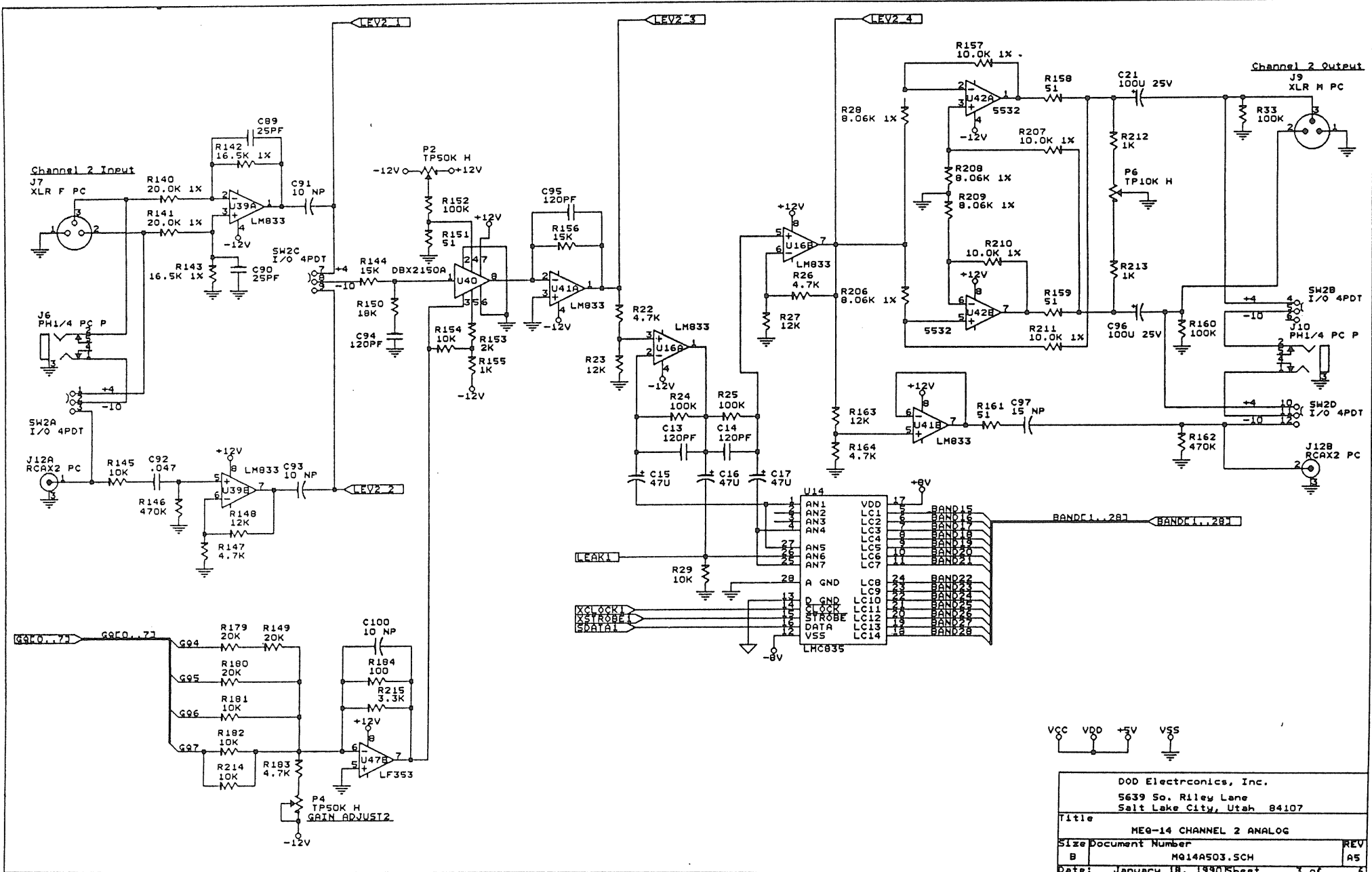
DOD Electronics, Inc.
 5639 So. Riley Lane
 Salt Lake City, Utah 84107

Title: ME014 CHANNEL 1 ANALOG

Size Document Number: REV A5

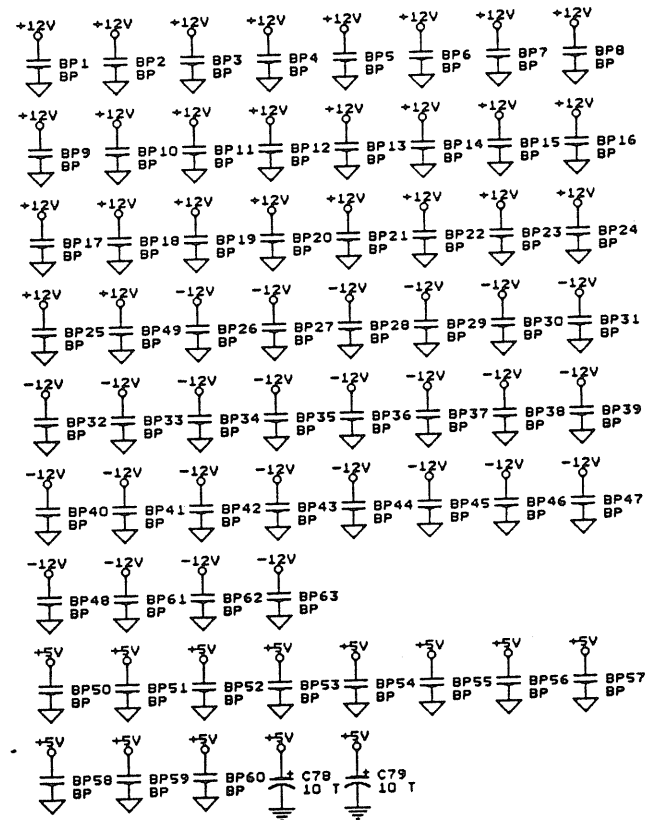
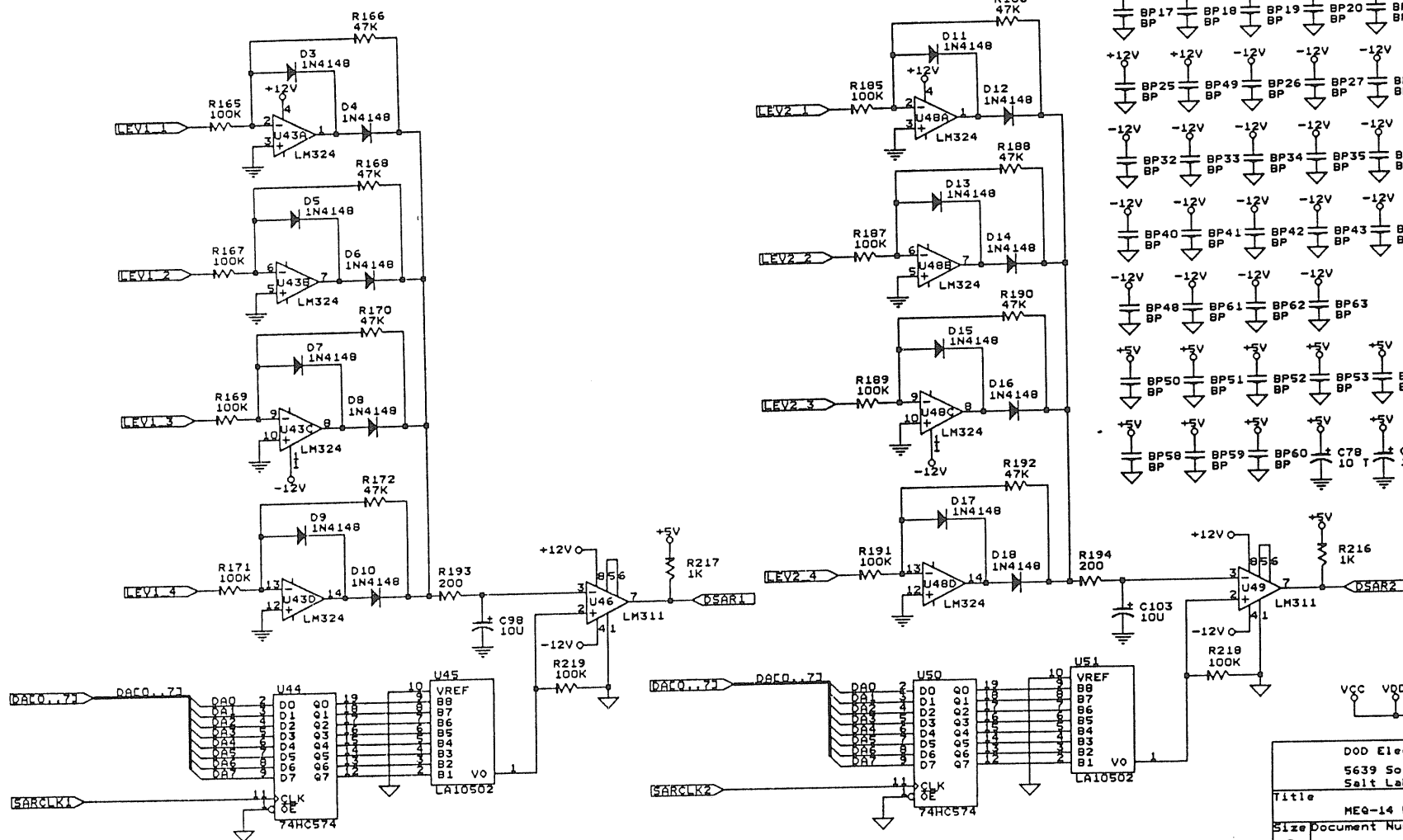
B: M014A502.SCH

Date: January 18, 1990 Sheet 2 of 6



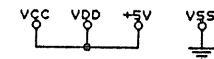
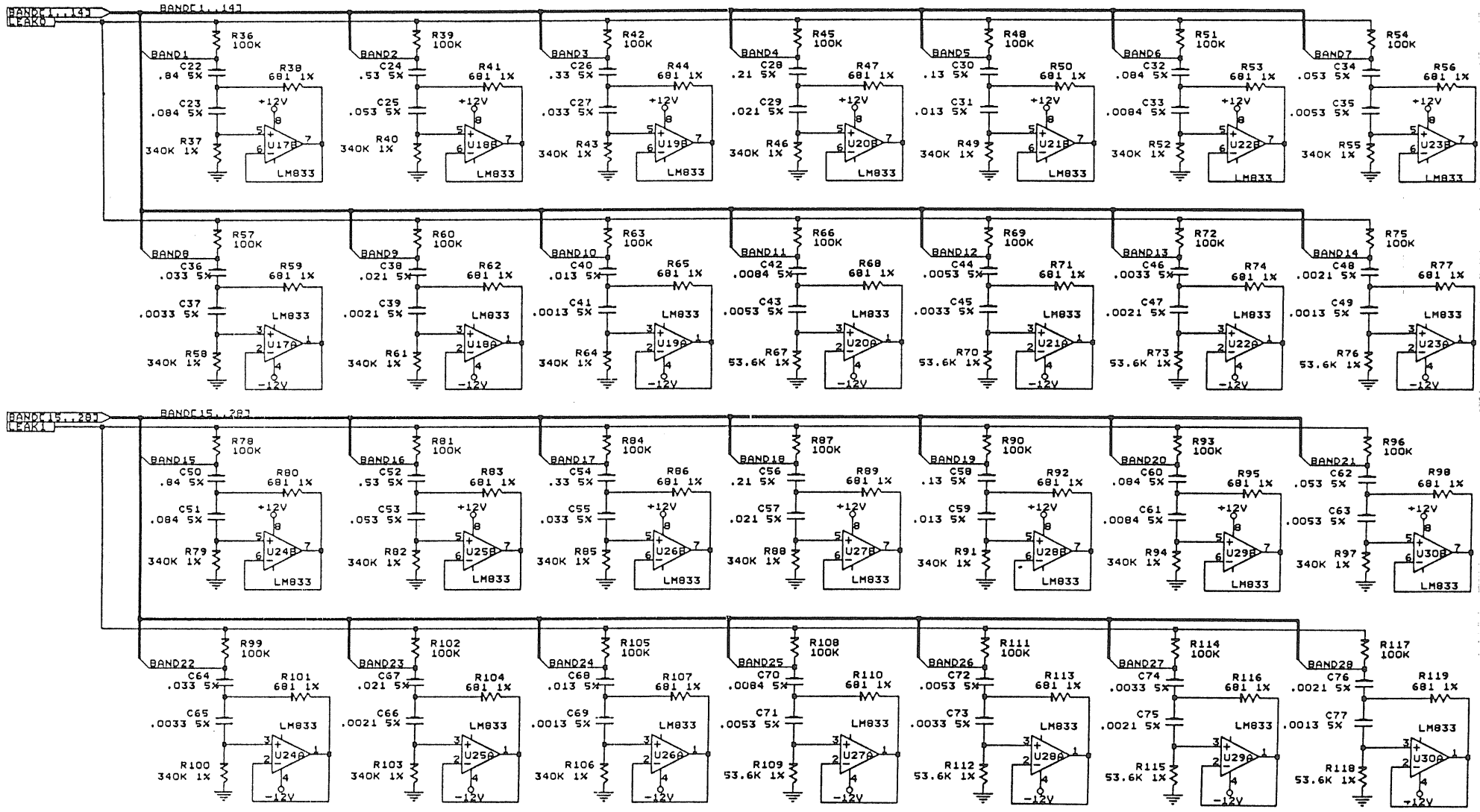
DOD Electronics, Inc.
 5639 So. Riley Lane
 Salt Lake City, Utah 84107

Title		
MEQ-14 CHANNEL 2 ANALOG		
Size	Document Number	REV
B	H014A503.SCH	A5
Date:	January 18, 1990	Sheet 3 of 6



DOD Electronics, Inc.
 5639 So. Riley Lane
 Salt Lake City, Utah 84107

Title: MEQ-14 LEVEL A-D CONVERTERS
 Size: Document Number B
 Mq14A504.SCH
 Date: January 18, 1990 Sheet 4 of 6

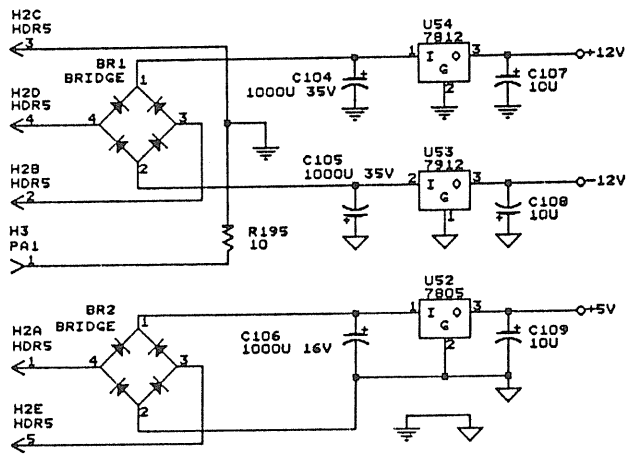


DOD Electronics, Inc.
 5639 So. Riley Lane
 Salt Lake City, Utah 84107

Title
 MEQ-14 FILTERS

Size Document Number
 B M014A505.SCH REV
 A5

Date: January 18, 1990 Sheet 5 of 6



NOT USED
 BP64-65
 C4
 C110-113
 U38

LAST REF. VCC VDD +5V VSS
 BP66
 BR2
 BT1
 C115
 D18
 H3
 J12
 P6
 Q2
 R220
 SM2
 US4
 X1

DOD Electronics Inc. 5639 So. Riley Lane Salt Lake City, Utah 84107	
Title	MEQ-14 POWER SUPPLY
Size	Document Number
B	HQ14A506.SCH
Date:	January 18, 1990 Sheet 1

le of le