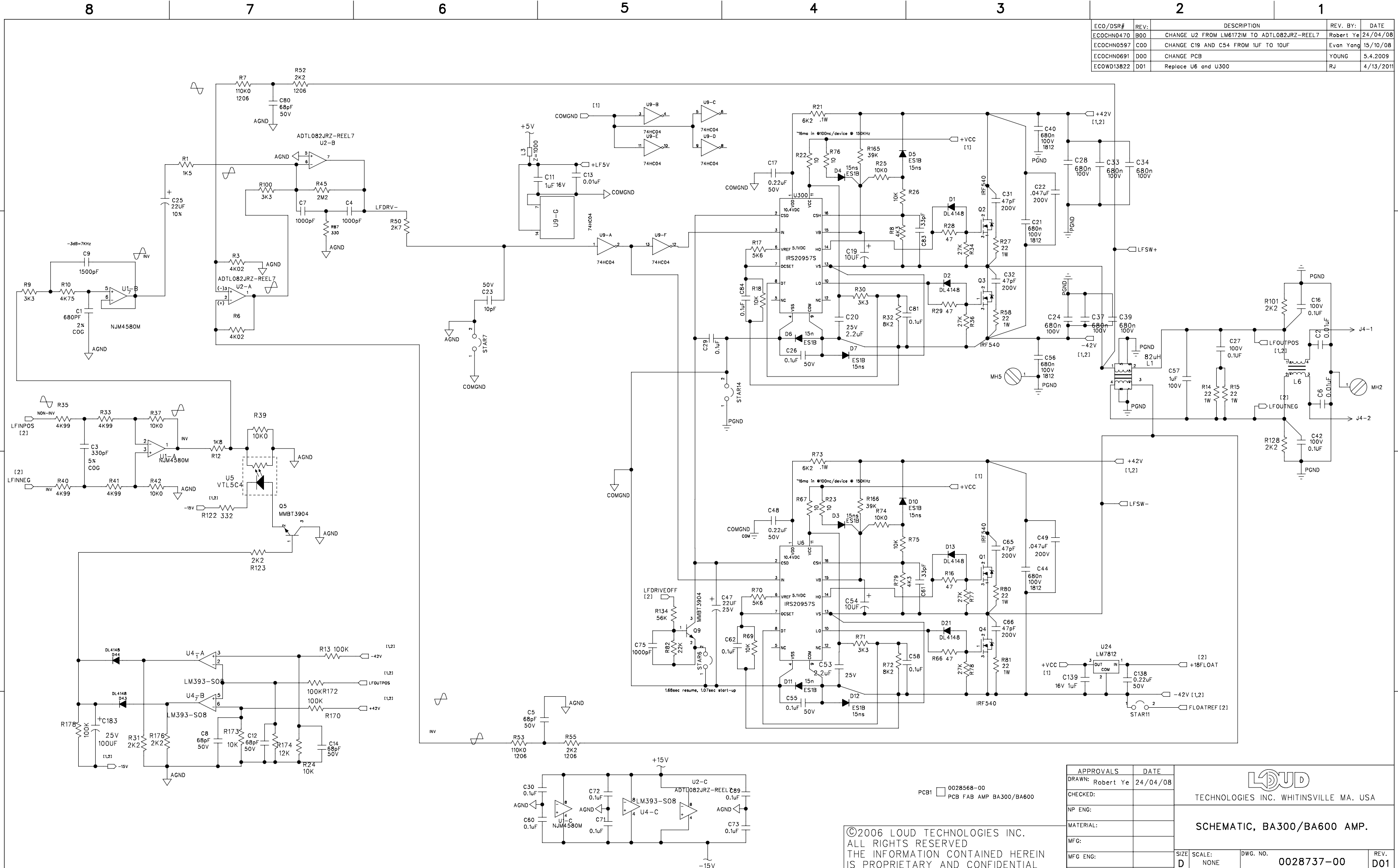


ECO/DSR#	REV.	DESCRIPTION	REV. BY:	DATE
ECOCHN0470	B00	CHANGE U2 FROM LM6172IM TO ADTL082JRZ-REEL7	Robert Ye	24/04/08
ECOCHN0597	C00	CHANGE C19 AND C54 FROM 1UF TO 10UF	Evan Yang	15/10/08
ECOCHN0691	D00	CHANGE PCB	YOUNG	5.4.2009
ECOWD13822	D01	Replace U6 and U300	RJ	4/13/2011

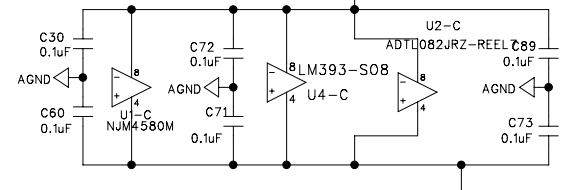


APPROVALS	DATE
DRAWN: Robert Ye	24/04/08
CHECKED:	
NP ENG:	
MATERIAL:	
MFG:	
MFG ENG:	
ISSUED:	

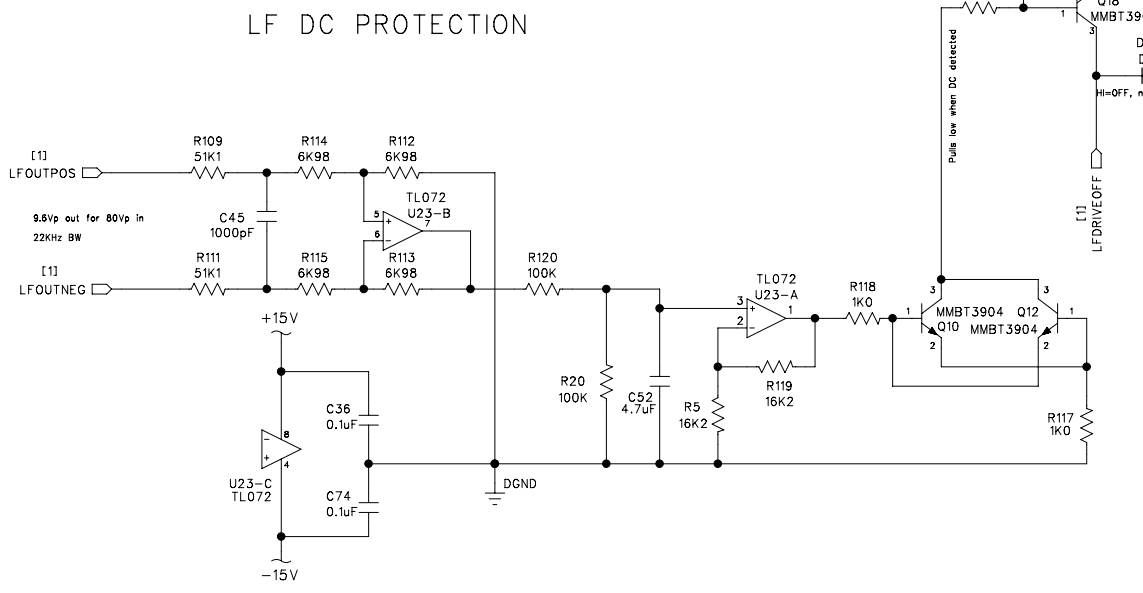
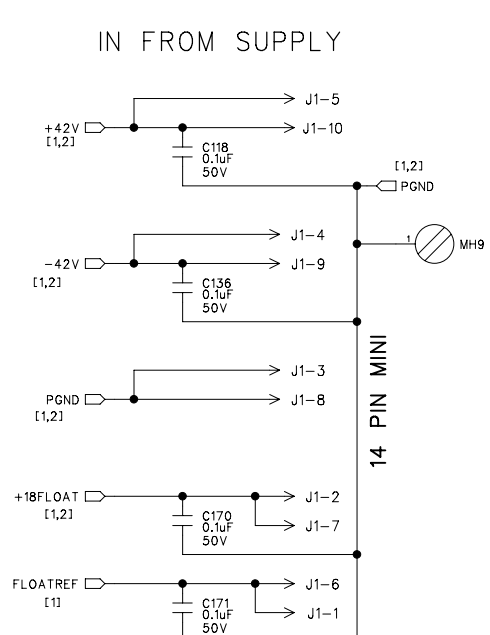
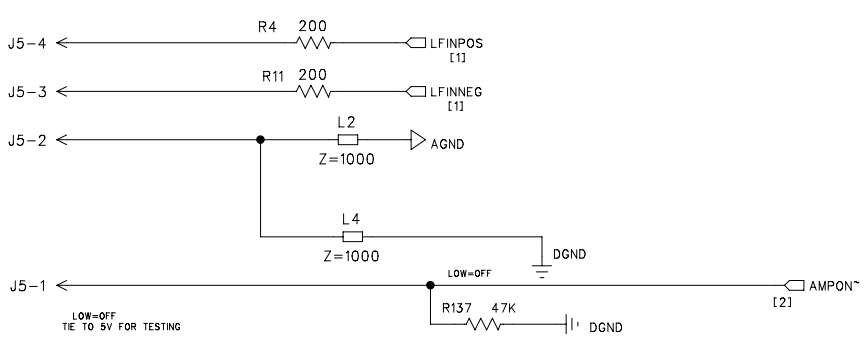
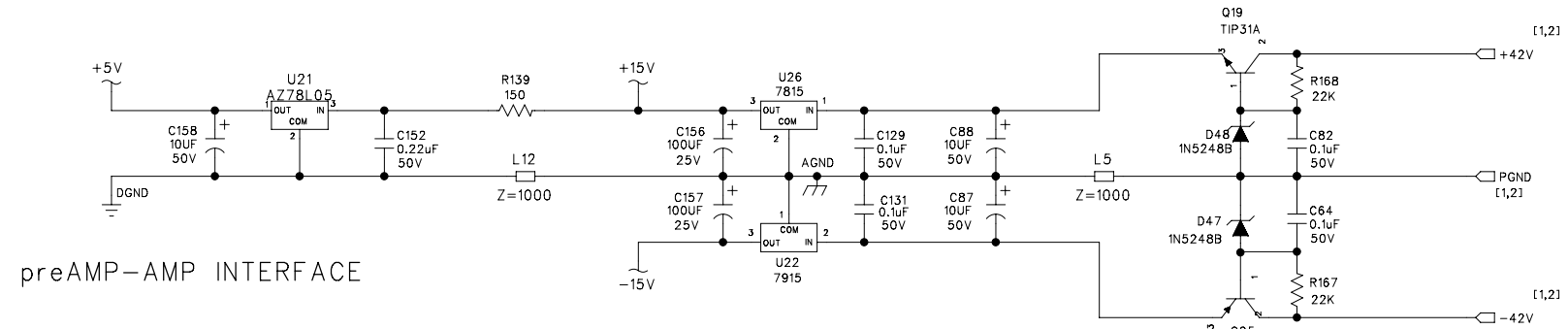
LOUD TECHNOLOGIES INC. WHITINSVILLE MA. USA	
SCHEMATIC, BA300/BA600 AMP.	
SIZE: D	SCALE: NONE
DWG. NO. 0028737-00	REV. D01
DWG FILE:	SHEET 1 OF 2

©2006 LOUD TECHNOLOGIES INC.
ALL RIGHTS RESERVED
THE INFORMATION CONTAINED HEREIN
IS PROPRIETARY AND CONFIDENTIAL
PROPERTY OF LOUD TECHNOLOGIES INC.

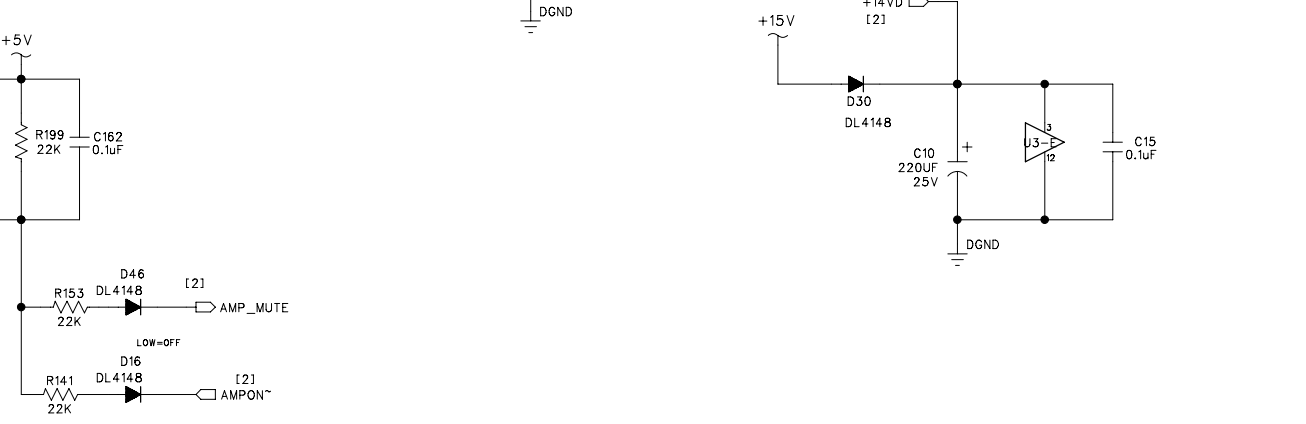
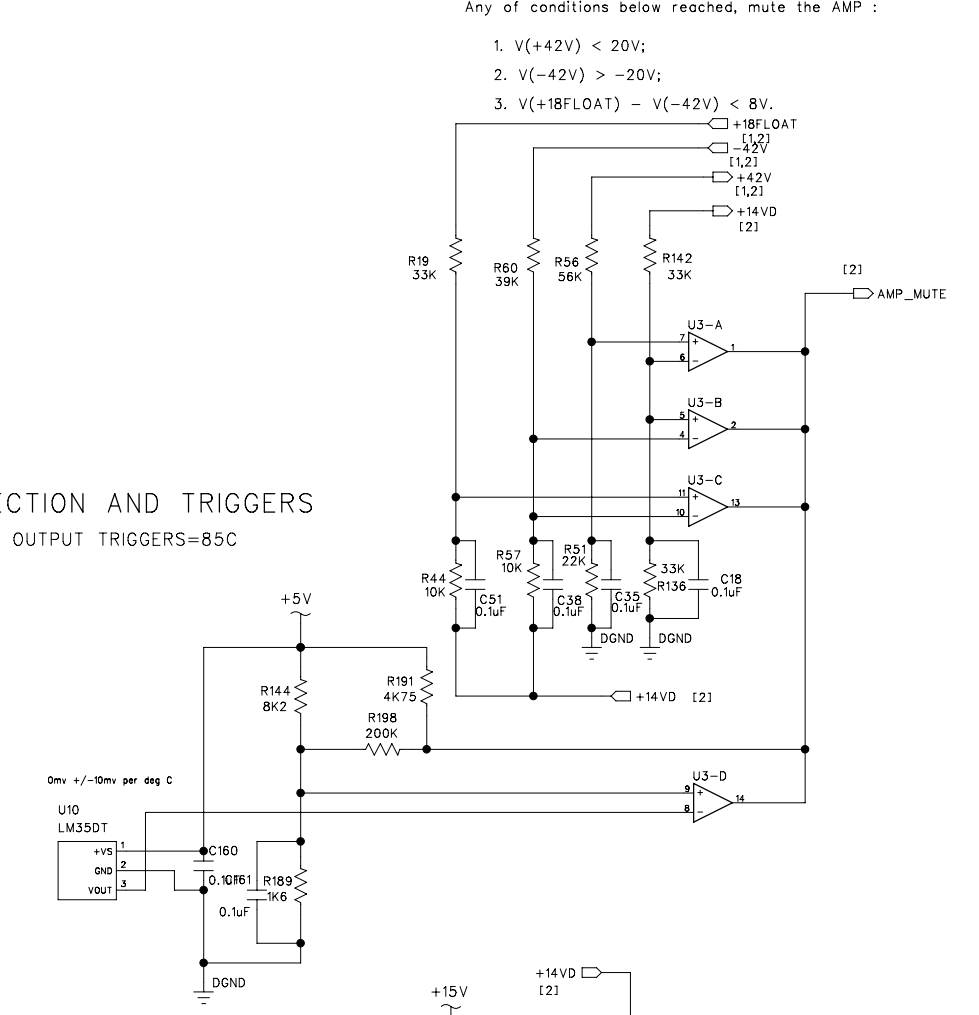
PCB1 0028568-00
PCB FAB AMP BA300/BA600



ECO/DSR#	REV.	DESCRIPTION	REV. BY:	DATE
ECOCHN0470	B00	CHANGE U2 FROM LM6172IM TO ADTL082JRZ-REEL7	Robert Ye	24/04/08
ECOCHN0597	C00	CHANGE C19 AND C54 FROM 1UF TO 10UF	Evan Yang	15/10/08
ECOCHN0691	D00	CHANGE PCB	YOUNG	5.4.2009



THERMAL DETECTION AND TRIGGERS
 OUTPUT PARADIGM: OUTPUT TRIGGERS=85C



APPROVALS		DATE
DRAWN:	Robert Ye	24/04/08
CHECKED:		
NP ENG:		
MATERIAL:		
MFG:		
MFG ENG:		
ISSUED:		

LOUD TECHNOLOGIES INC. WHITINSVILLE MA. USA		
SCHEMATIC, BA300/BA600 AMP.		
SIZE: D	SCALE: NONE	DWG. NO. 0028737-00
REV. D01	SHEET 2 OF 2	

©2006 LOUD TECHNOLOGIES INC.
 ALL RIGHTS RESERVED
 THE INFORMATION CONTAINED HEREIN
 IS PROPRIETARY AND CONFIDENTIAL
 PROPERTY OF LOUD TECHNOLOGIES INC.