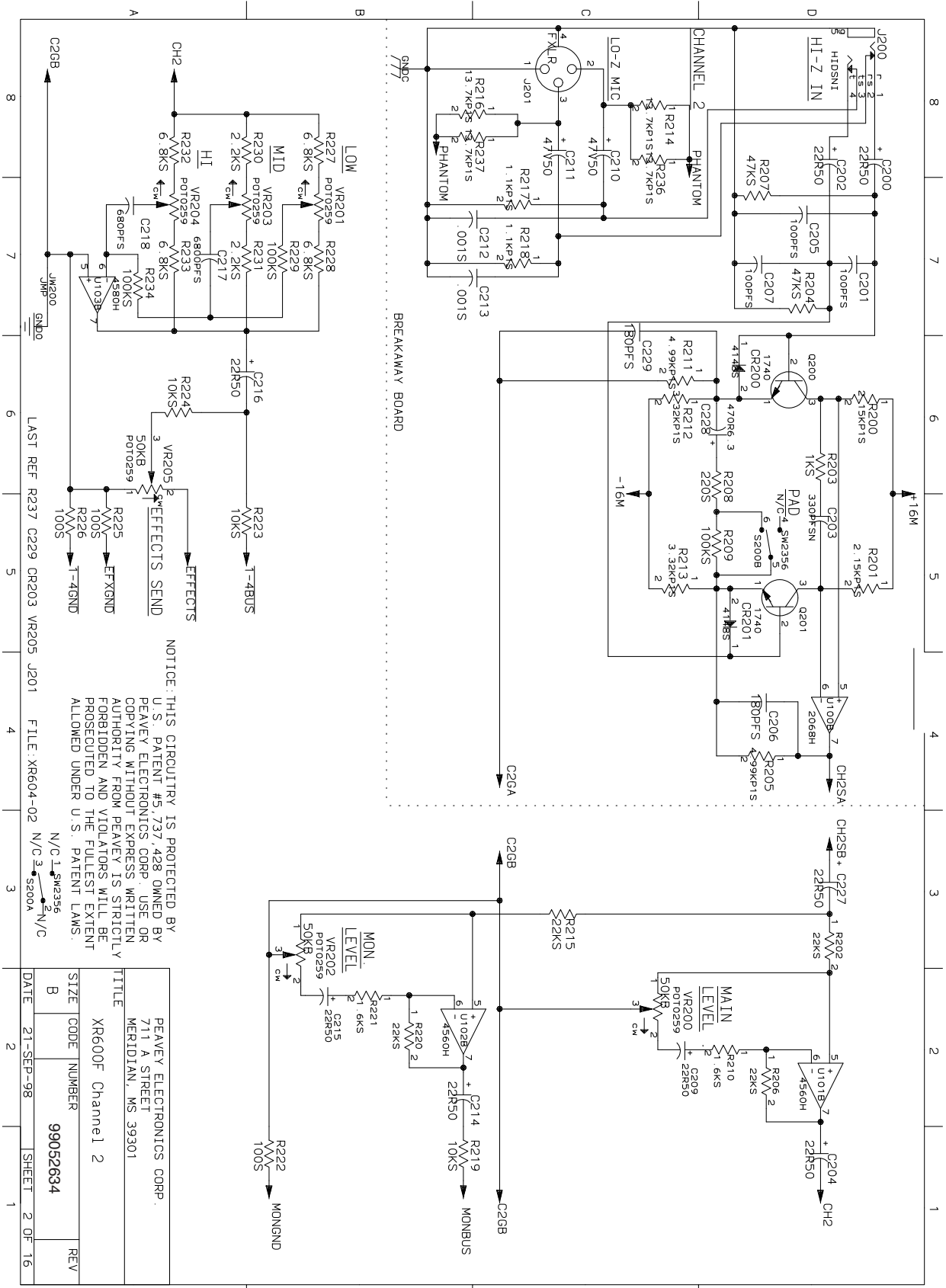


NOTICE: THIS CIRCUITRY IS PROTECTED BY U.S. PATENT #5,737,428 OWNED BY PEAVEY ELECTRONICS CORP. USE OR COPYING WITHOUT EXPRESS WRITTEN AUTHORITY FROM PEAVEY IS STRICTLY FORBIDDEN AND VIOLATORS WILL BE PROSECUTED TO THE FULLEST EXTENT ALLOWED UNDER U.S. PATENT LAWS.

TITLE		PEAVEY ELECTRONICS CORP.	
XR600F Channel 1		711 A STREET	
SIZE		MERIDIAN, MS 39301	
B	CODE NUMBER	99052634	
DATE		21-SEP-98	
SHEET		1 OF 16	

FILE: KR604-01 N/C 1 SW2356 N/C 3 S100A N/C



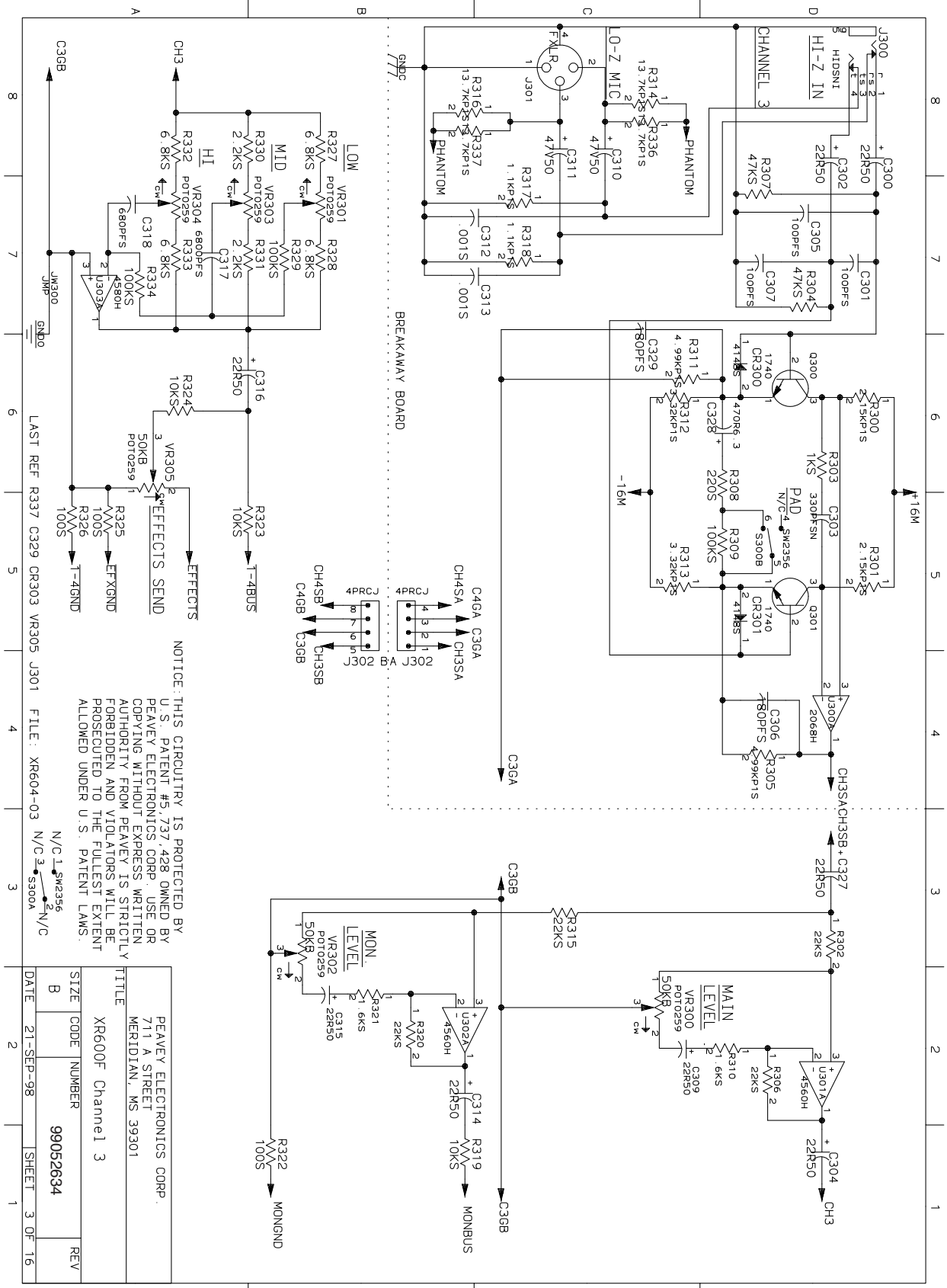
NOTICE: THIS CIRCUITRY IS PROTECTED BY U.S. PATENT #5,737,428 OWNED BY PEAVEY ELECTRONICS CORP. USE OR COPYING WITHOUT EXPRESS WRITTEN AUTHORITY FROM PEAVEY IS STRICTLY FORBIDDEN AND VIOLATORS WILL BE PROSECUTED TO THE FULLEST EXTENT ALLOWED UNDER U.S. PATENT LAWS.

PEAVEY ELECTRONICS CORP.	
711 A STREET	
MERIDIAN, MS 39301	
TITLE XR600F Channel 1 2	
SIZE	CODE NUMBER
B	99052634
DATE	21-SEP-98
SHEET 2 OF 16	

FILE:XR604-02 N/C 3
 N/C 1 5W2356
 2 N/C

LAST REF R237 C229 CR203 VR205 J201

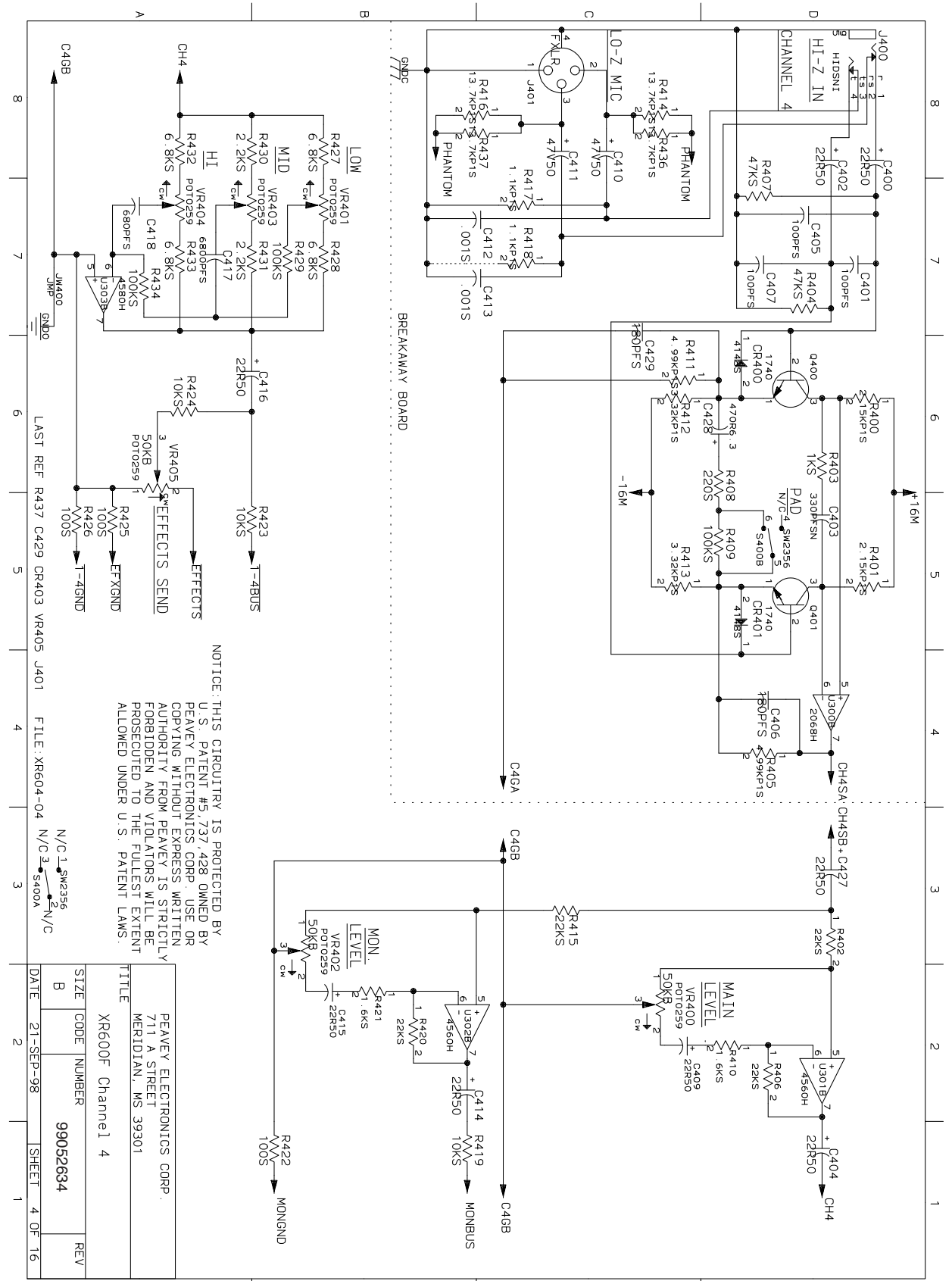
DATE: 21-SEP-98



NOTICE: THIS CIRCUITRY IS PROTECTED BY U.S. PATENT #5 737,428 OWNED BY PEAVEY ELECTRONICS CORP. USE OR COPYING WITHOUT EXPRESS WRITTEN AUTHORITY FROM PEAVEY IS STRICTLY FORBIDDEN AND VIOLATORS WILL BE PROSECUTED TO THE FULLEST EXTENT ALLOWED UNDER U.S. PATENT LAWS.

TITLE		PEAVEY ELECTRONICS CORP.	
711 A STREET		MERIDIAN, MS 39301	
SIZE	CODE	NUMBER	REV
B		99052634	
DATE		21-SEP-98	
SHEET		3 OF 16	

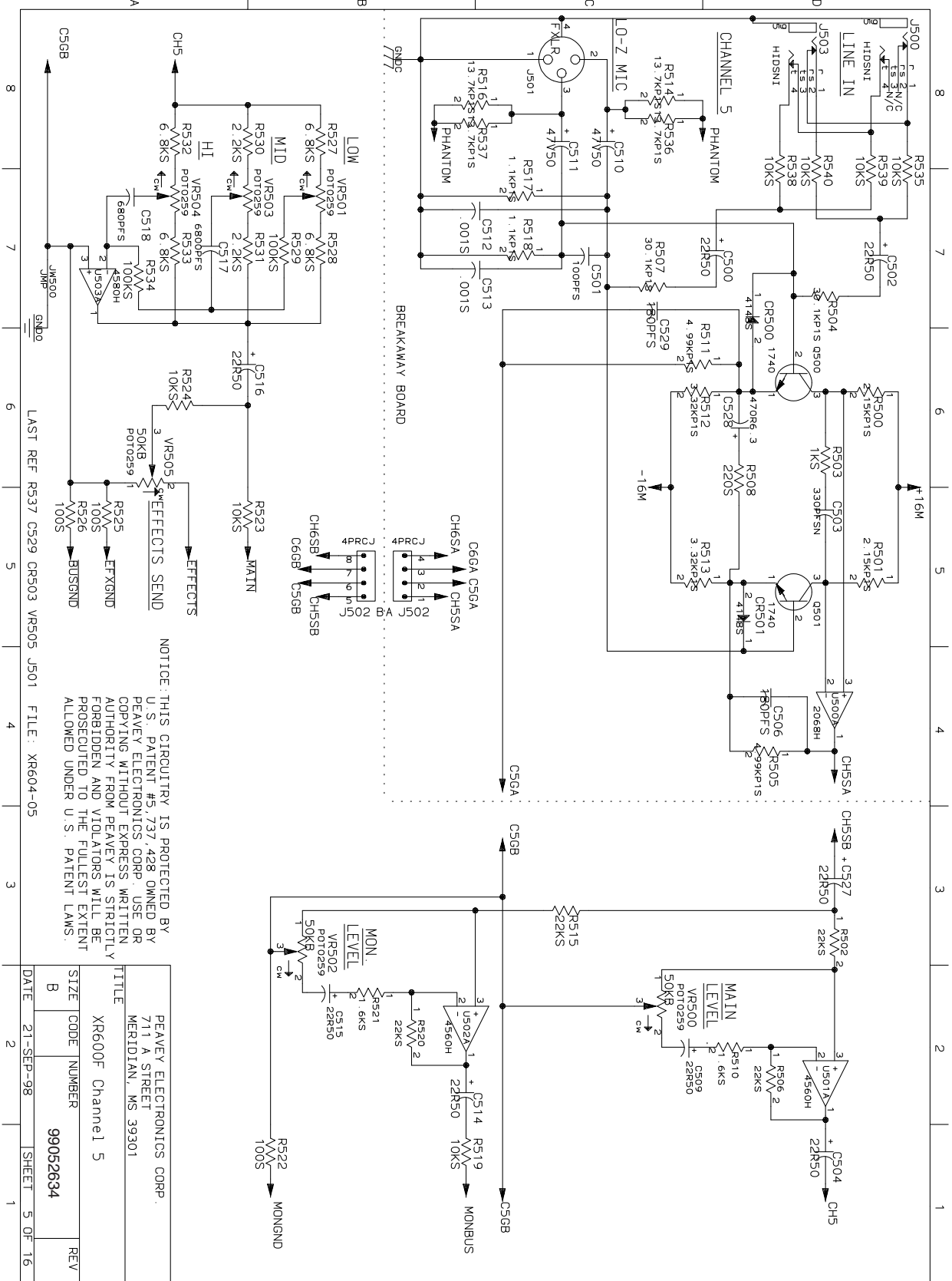
FILE: KR604-03 N/C 3 S300A N/C 1 S300A N/C 2 S300A



NOTICE: THIS CIRCUITRY IS PROTECTED BY U.S. PATENT #5,737,428 OWNED BY PEAVEY ELECTRONICS CORP. USE OR COPYING WITHOUT EXPRESS WRITTEN AUTHORITY FROM PEAVEY IS STRICTLY FORBIDDEN AND VIOLATORS WILL BE PROSECUTED TO THE FULLEST EXTENT ALLOWED UNDER U.S. PATENT LAWS.

LAST REF R437 C429 CR403 VR405 J401

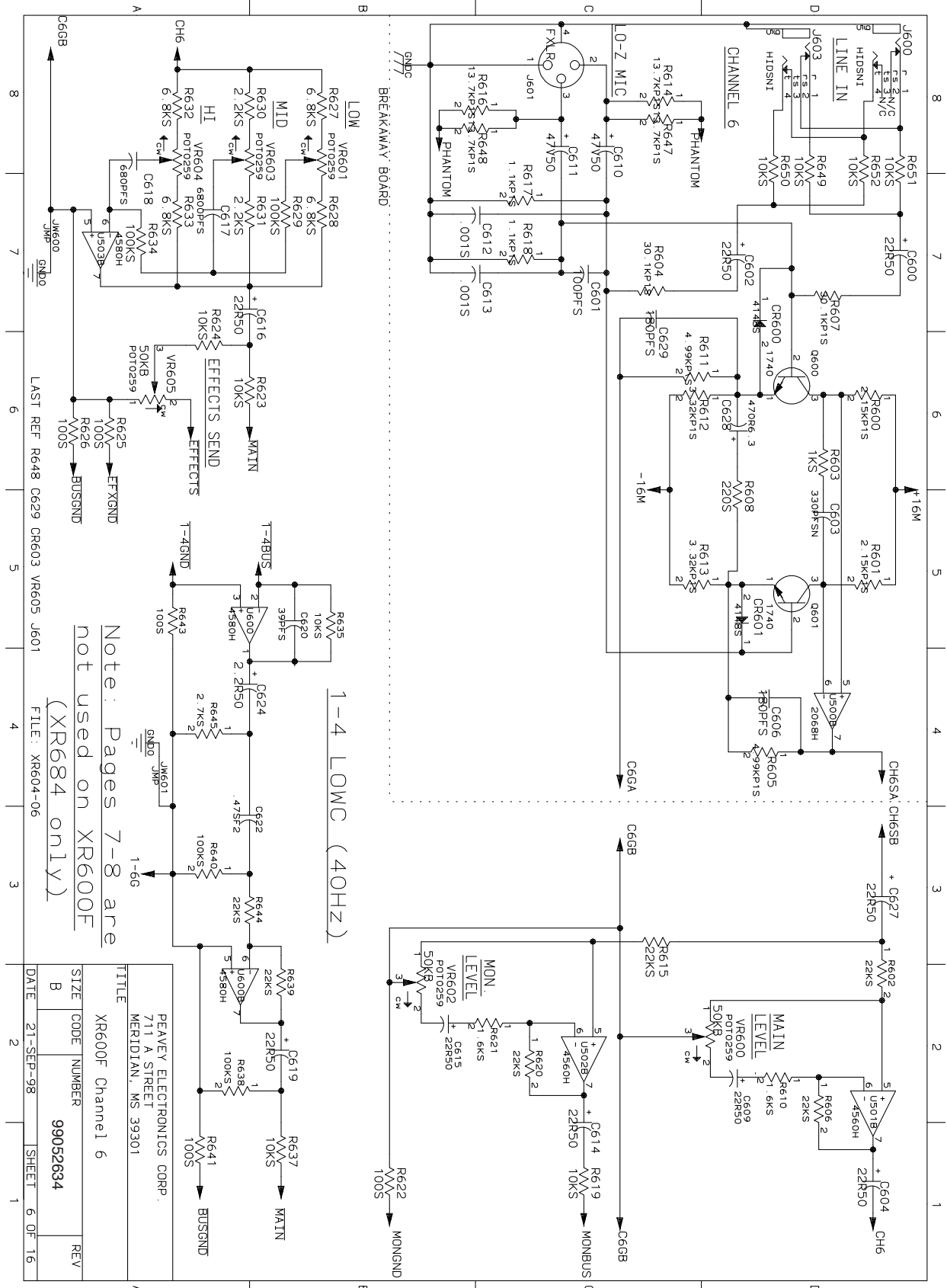
FILE	XR604-04
N/C 1	SW235
N/C 2	N/C
N/C 3	5400A
TITLE	XR600F Channel 4
SIZE	CODE NUMBER
B	99052634
DATE	21-SEP-98
SHEET	4 OF 16



NOTICE: THIS CIRCUITRY IS PROTECTED BY U.S. PATENT #5,737,428 OWNED BY PEAVEY ELECTRONICS CORP. USE OR COPYING WITHOUT EXPRESS WRITTEN AUTHORITY FROM PEAVEY IS STRICTLY FORBIDDEN AND VIOLATORS WILL BE PROSECUTED TO THE FULLEST EXTENT ALLOWED UNDER U.S. PATENT LAWS.

LAST REF R537 C529 CR503 VR505 J501 FILE: XR604-05

PEAVEY ELECTRONICS CORP.	
711 A STREET	
MERIDIAN, MS 39301	
TITLE	
XR600F Channel 5	
SIZE	CODE NUMBER
B	99052634
DATE	REV
21-SEP-98	5 OF 16

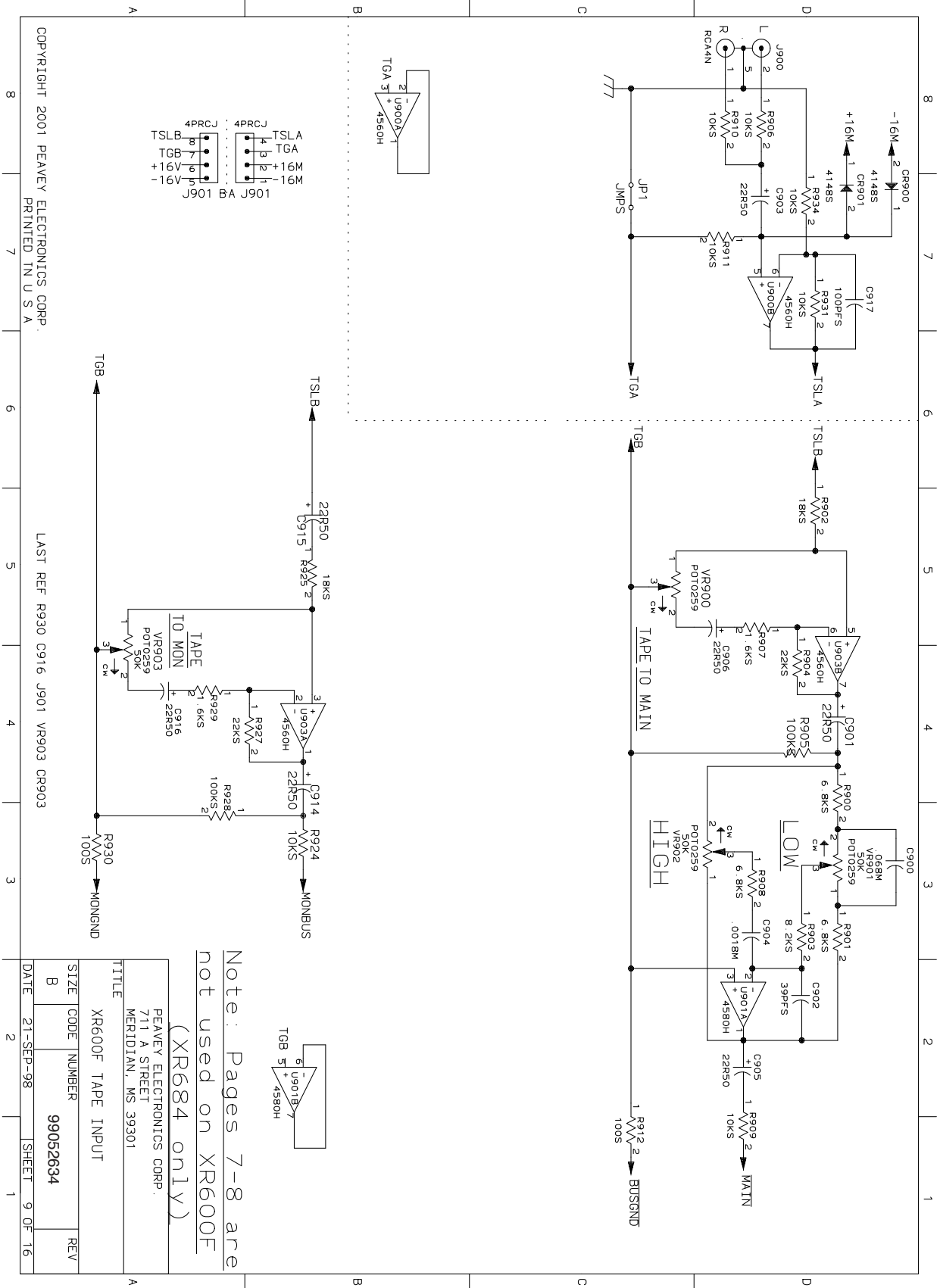


1-4 LOMC (40HZ)

Note: Pages 7-8 are not used on XR600F (XR684 only)

FILE: XR604-06

TITLE		XR600F Channel 6	
DEAVELY ELECTRONICS CORP.		711 A STREET	
MERIDIAN, MS 39301			
SIZE	CODE	NUMBER	REV
B		99052634	
DATE	21-SEP-98		SHEET 6 OF 16



Note: Pages 7-8 are
not used on XR600F
(XR684 only)

PEAVEY ELECTRONICS CORP.
711 A STREET
MERIDIAN, MS 39301

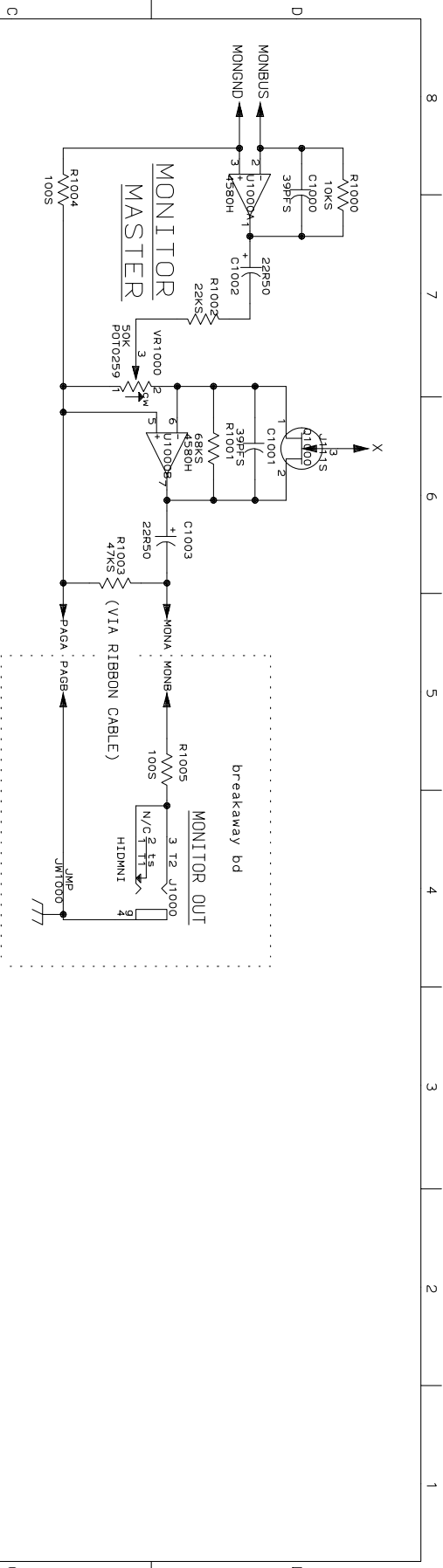
TITLE
XR600F TAPE INPUT

SIZE	CODE	NUMBER	REV
B		99052634	

DATE	21-SEP-98	SHEET	9 OF 16
------	-----------	-------	---------

COPYRIGHT 2001 PEAVEY ELECTRONICS CORP.
PRINTED IN U.S.A.

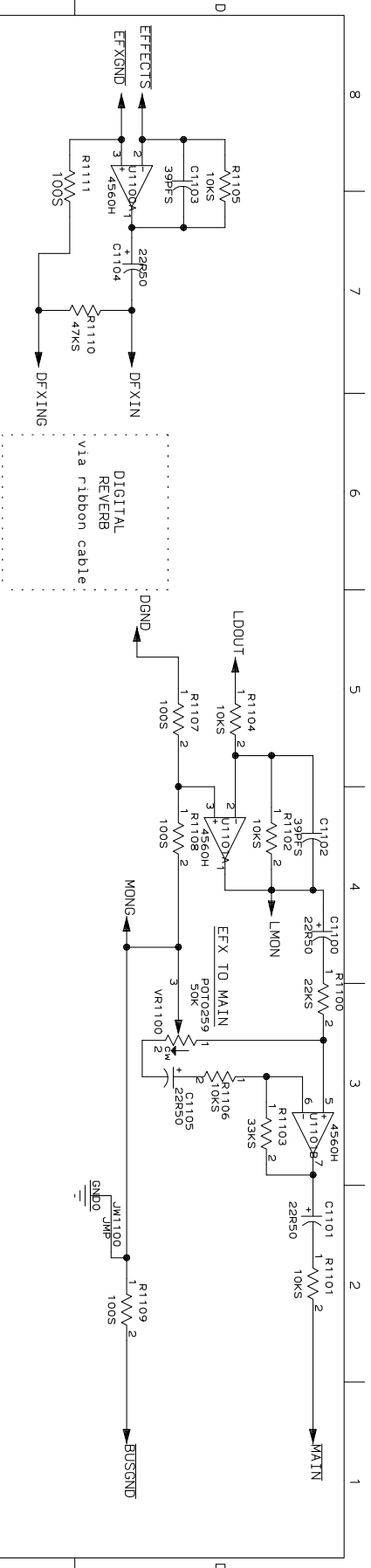
LAST REF R930 C916 J901 VR903 CR903



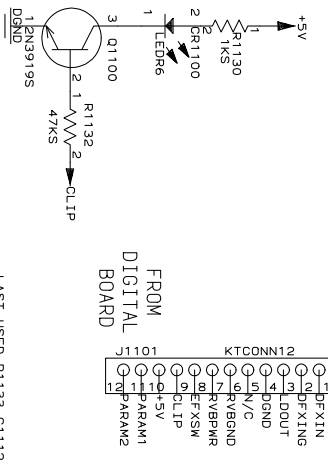
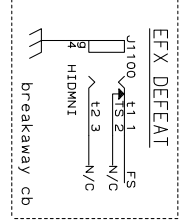
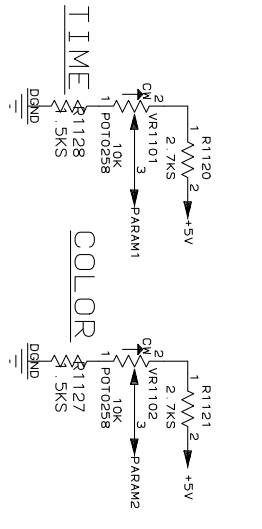
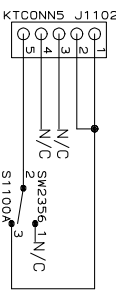
COPYRIGHT 2001 PEAVEY ELECTRONICS CORP.
 PRINTED IN U S A

PEAVEY ELECTRONICS CORP.	
711 A STREET	
MERIDIAN, MISSISSIPPI 39301	
TITLE: XR600F MONITOR	
SIZE: B	NUMBER: 99052634
DATE:	REV: A
SHEET 10 OF 16	

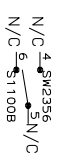
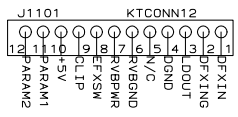
NOTICE: THIS CIRCUITRY IS PROTECTED BY
 U.S. PATENT #5,737,428 OWNED BY
 PEAVEY ELECTRONICS CORP. USE OR
 COPYING WITHOUT EXPRESS WRITTEN
 AUTHORITY FROM PEAVEY IS STRICTLY
 FORBIDDEN AND VIOLATORS WILL BE
 PROSECUTED TO THE FULLEST EXTENT
 ALLOWED UNDER U.S. PATENT LAWS.



REVERB/DELAY SELECT



FROM DIGITAL BOARD



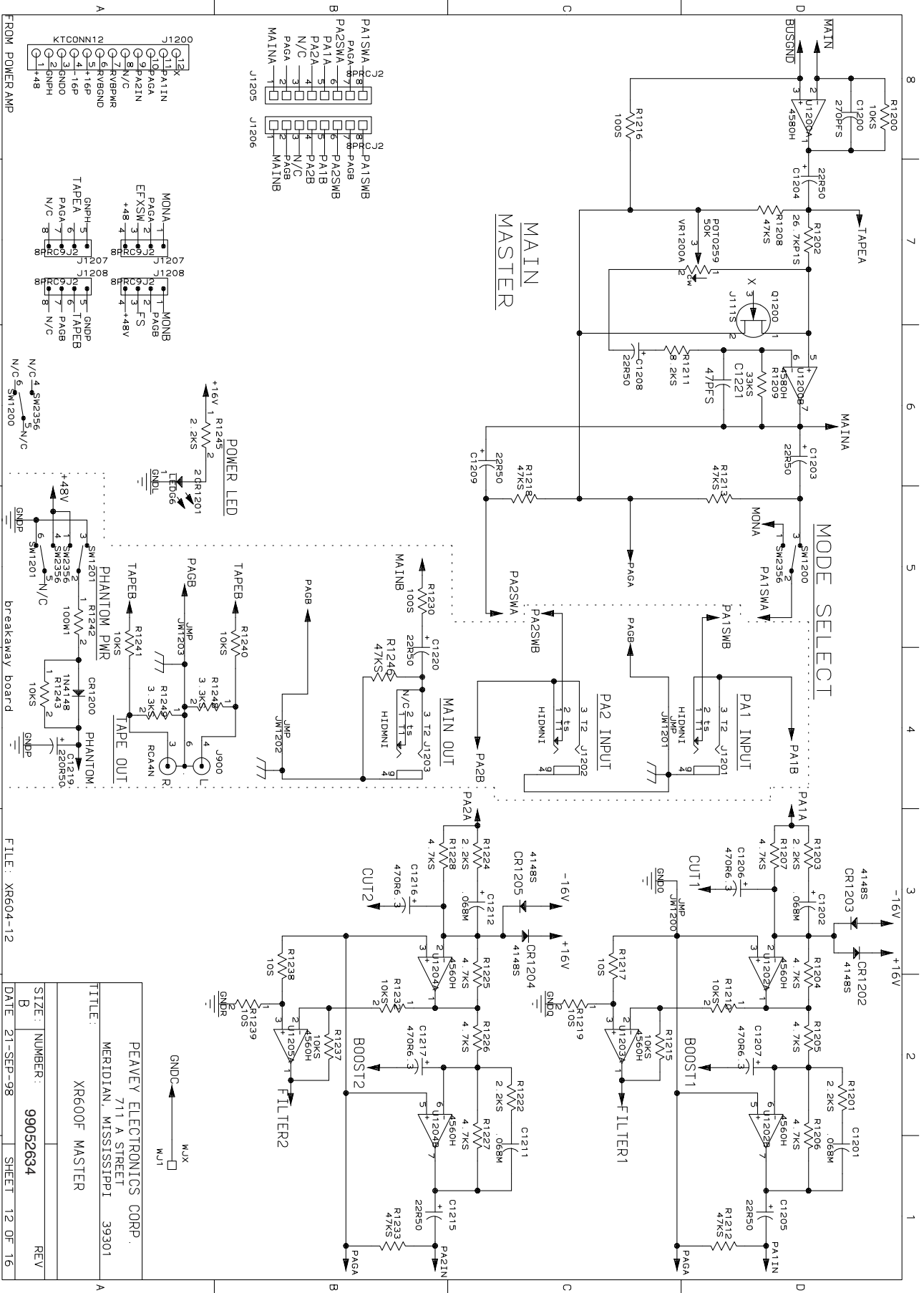
PEAVEY ELECTRONICS CORP.
711 A STREET
MERIDIAN, MISSISSIPPI 39301

TITLE: XR 600F EFFECTS

SIZE: NUMBER: 99052634

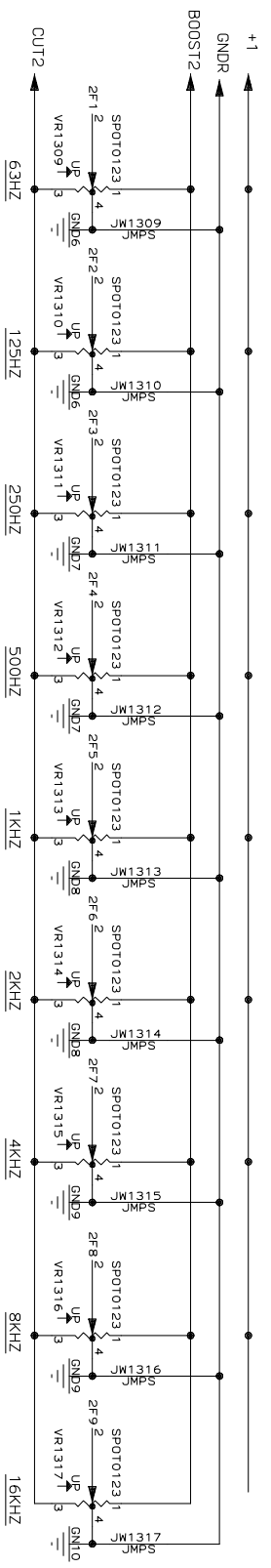
DATE: SHEET 11 OF 16

8 7 6 5 4 3 2 1



TITLE:		PEAVEY ELECTRONICS CORP.	
MERIDIAN, MISSISSIPPI		711 A STREET	
39301		39301	
TITLE:		XR600F MASTER	
SIZE:		NUMBER:	
B		99052634	
DATE: 21-SEP-98		SHEET: 12 OF 16	
REV		REV	

FILE: XR604-12

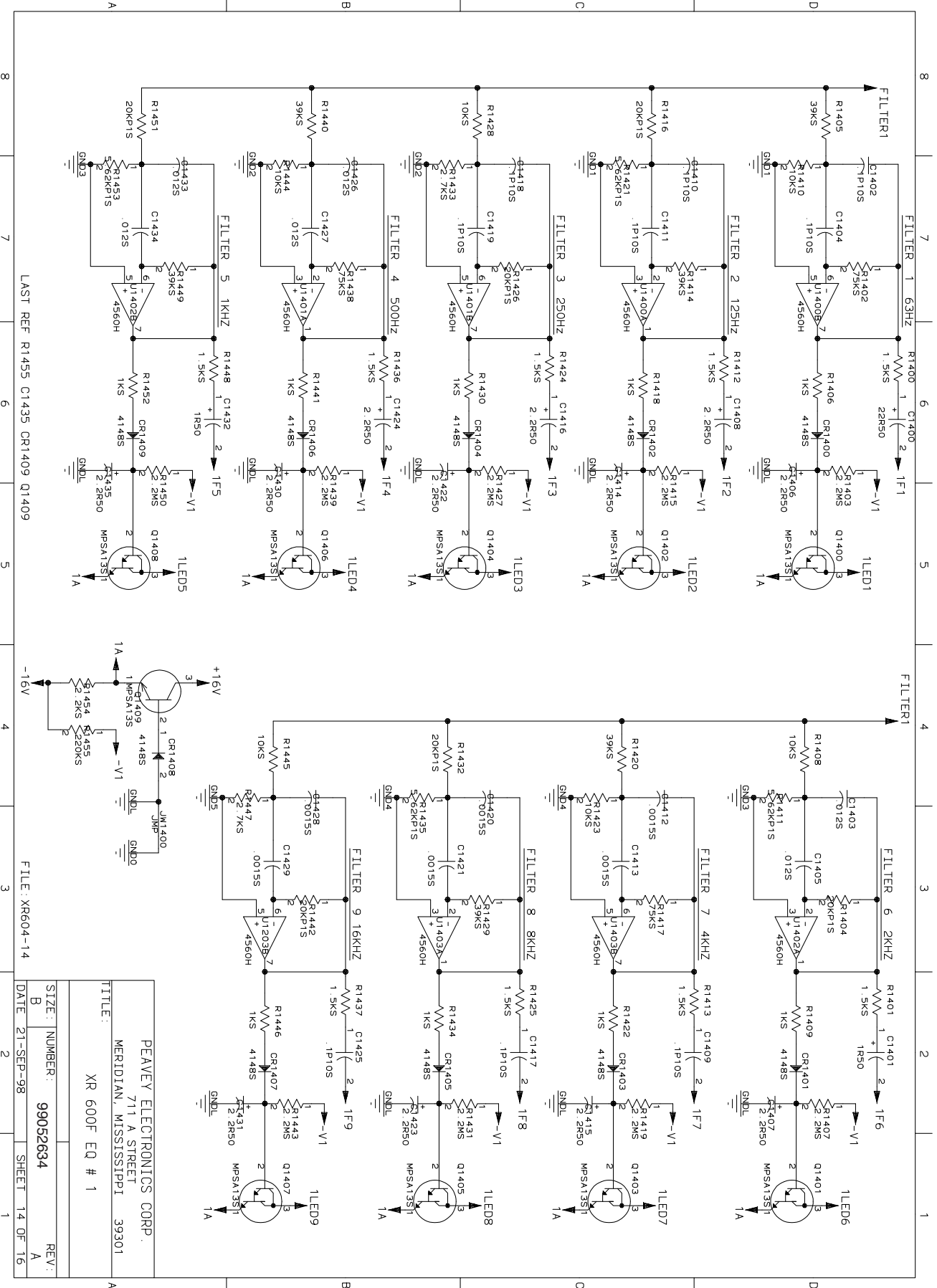


NOTICE: THIS CIRCUITRY IS PROTECTED BY
 U.S. PATENT #5,737,428 OWNED BY
 PEAVEY ELECTRONICS CORP. USE OR
 COPYING WITHOUT EXPRESS WRITTEN
 AUTHORITY FROM PEAVEY IS STRICTLY
 FORBIDDEN AND VIOLATORS WILL BE
 PROSECUTED TO THE FULLEST EXTENT
 ALLOWED UNDER U.S. PATENT LAWS.

COPYRIGHT 2001 PEAVEY ELECTRONICS CORP.
 PRINTED IN U.S.A.

FILE:XR604-13

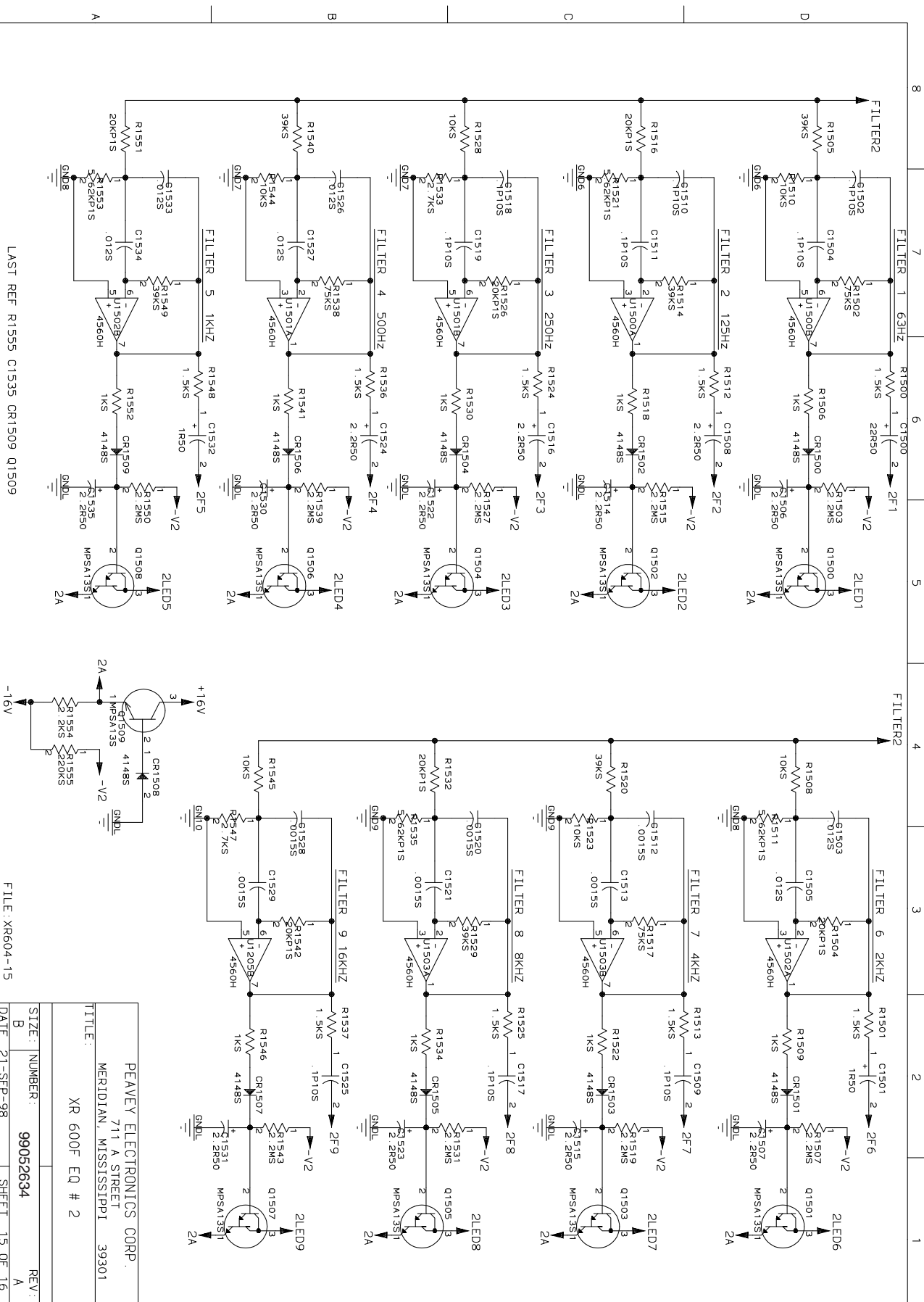
PEAVEY ELECTRONICS CORP.	
711 A STREET	
MERIDIAN, MISSISSIPPI 39301	
TITLE: XR 600F EQ SLIDERS	
SIZE: NUMBER:	99052634
DATE:	B
SHEET:	13 OF 16
REV:	A



LAST REF R1455 C1435 CR1409 Q1409

FILE: XR604-14

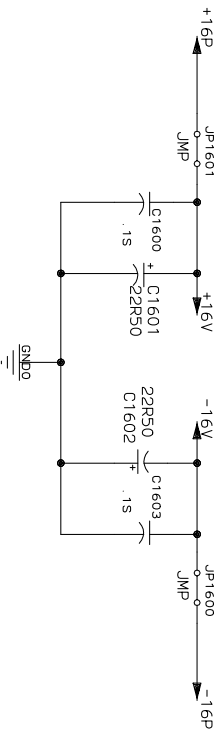
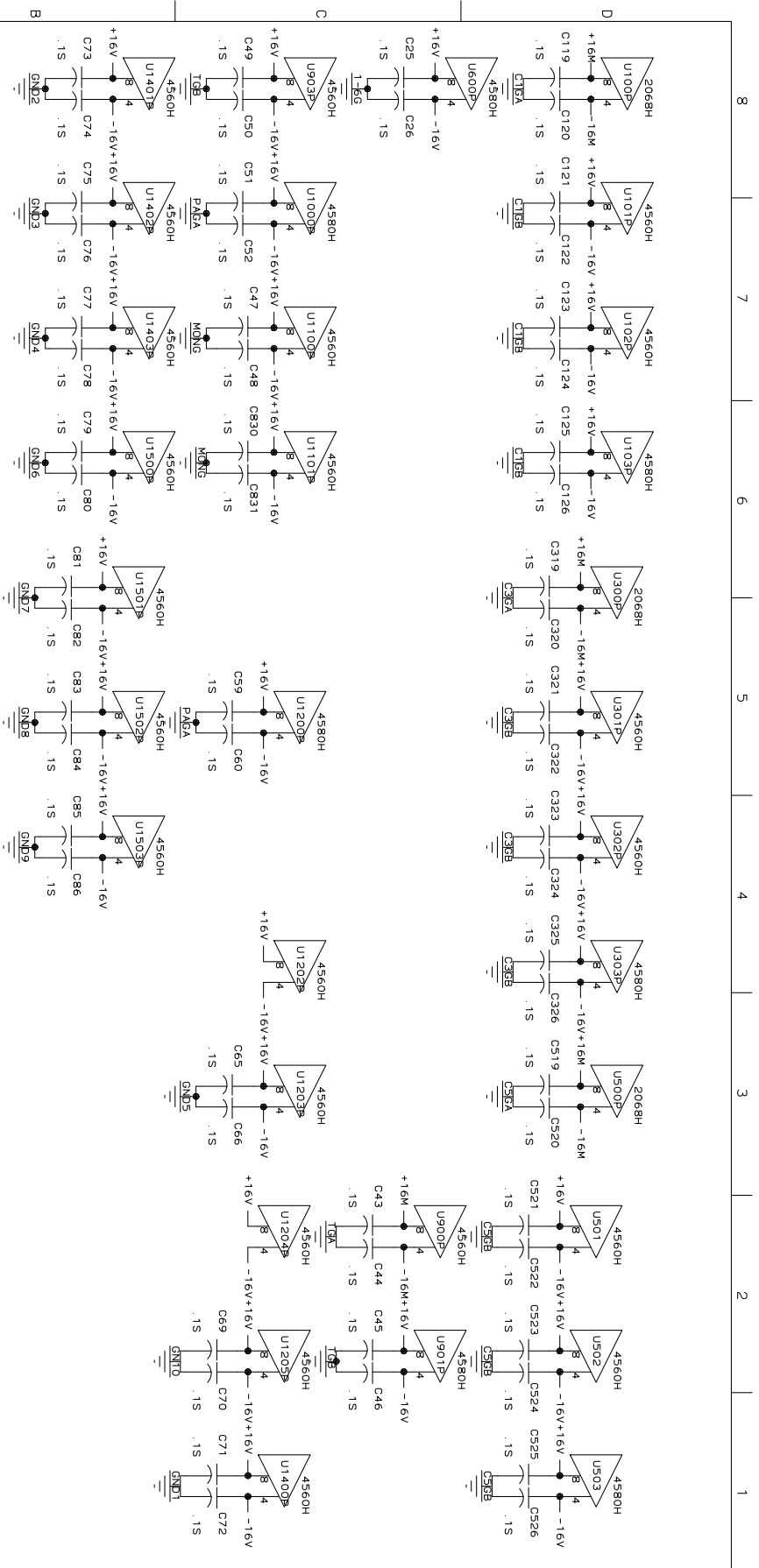
SIZE:	NUMBER:	99052634
REV:	A	
TITLE:		
PEAVEY ELECTRONICS CORP.		
711 A STREET		
MERIDIAN, MISSISSIPPI 39301		
DATE: 21-SEP-98		
SHEET: 14 OF 16		



LAST REF R1555 C1535 CR1509 Q1509

FILE:XR604-15

SIZE: NUMBER: 99052634	REV: A
DATE: 21-SEP-98	SHEET: 15 OF 16
TITLE: PEAVEY ELECTRONICS CORP. 711 A STREET MERIDIAN, MISSISSIPPI 39301	
XR 600F EQ # 2	

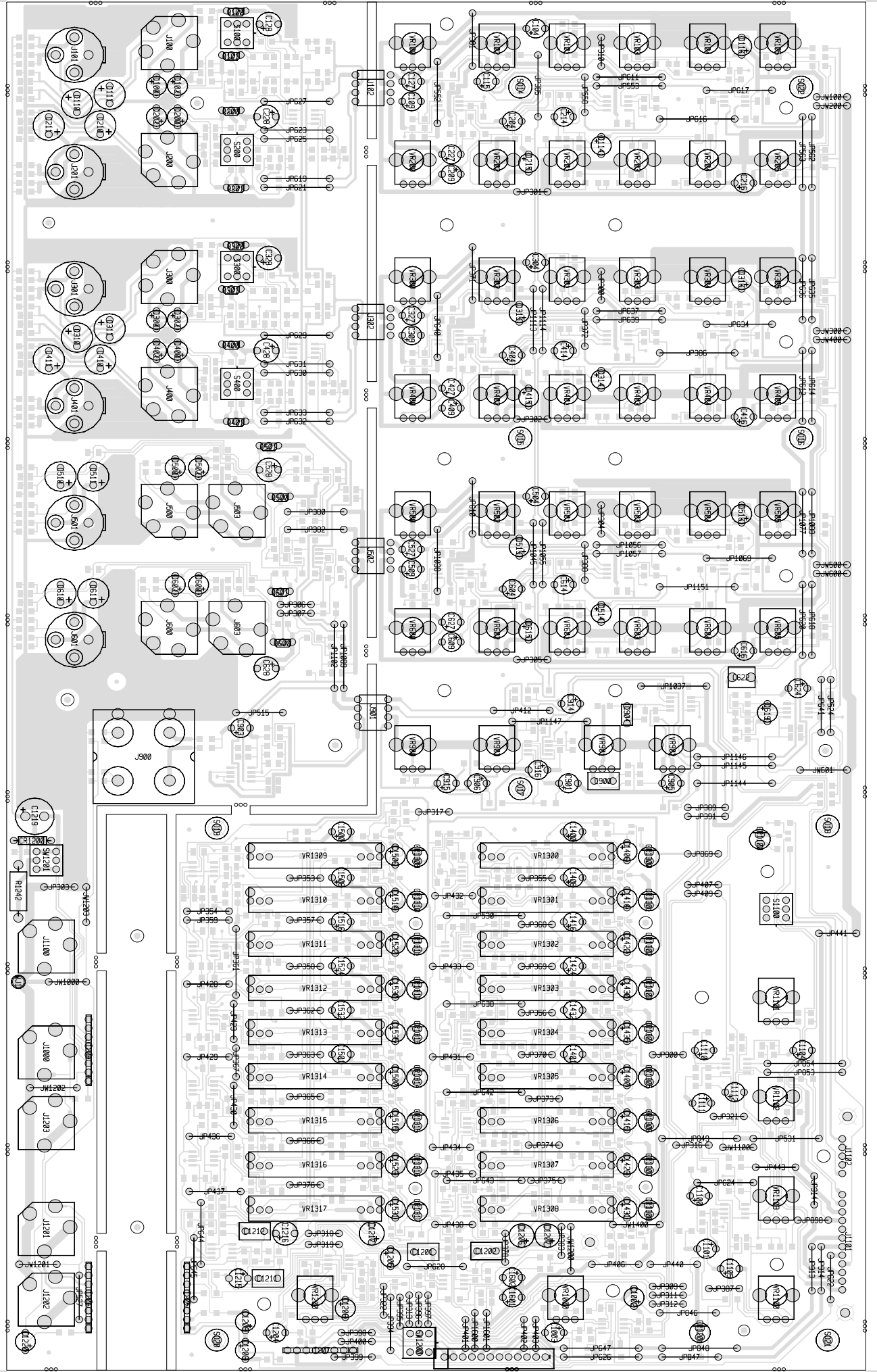


NOTICE: THIS CIRCUITRY IS PROTECTED BY
 U. S. PATENT #5,737,428 OWNED BY
 PEAVEY ELECTRONICS CORP. USE OR
 COPYING WITHOUT EXPRESS WRITTEN
 AUTHORITY FROM PEAVEY IS STRICTLY
 FORBIDDEN AND VIOLATORS WILL BE
 PROSECUTED TO THE FULLEST EXTENT
 ALLOWED UNDER U. S. PATENT LAWS.

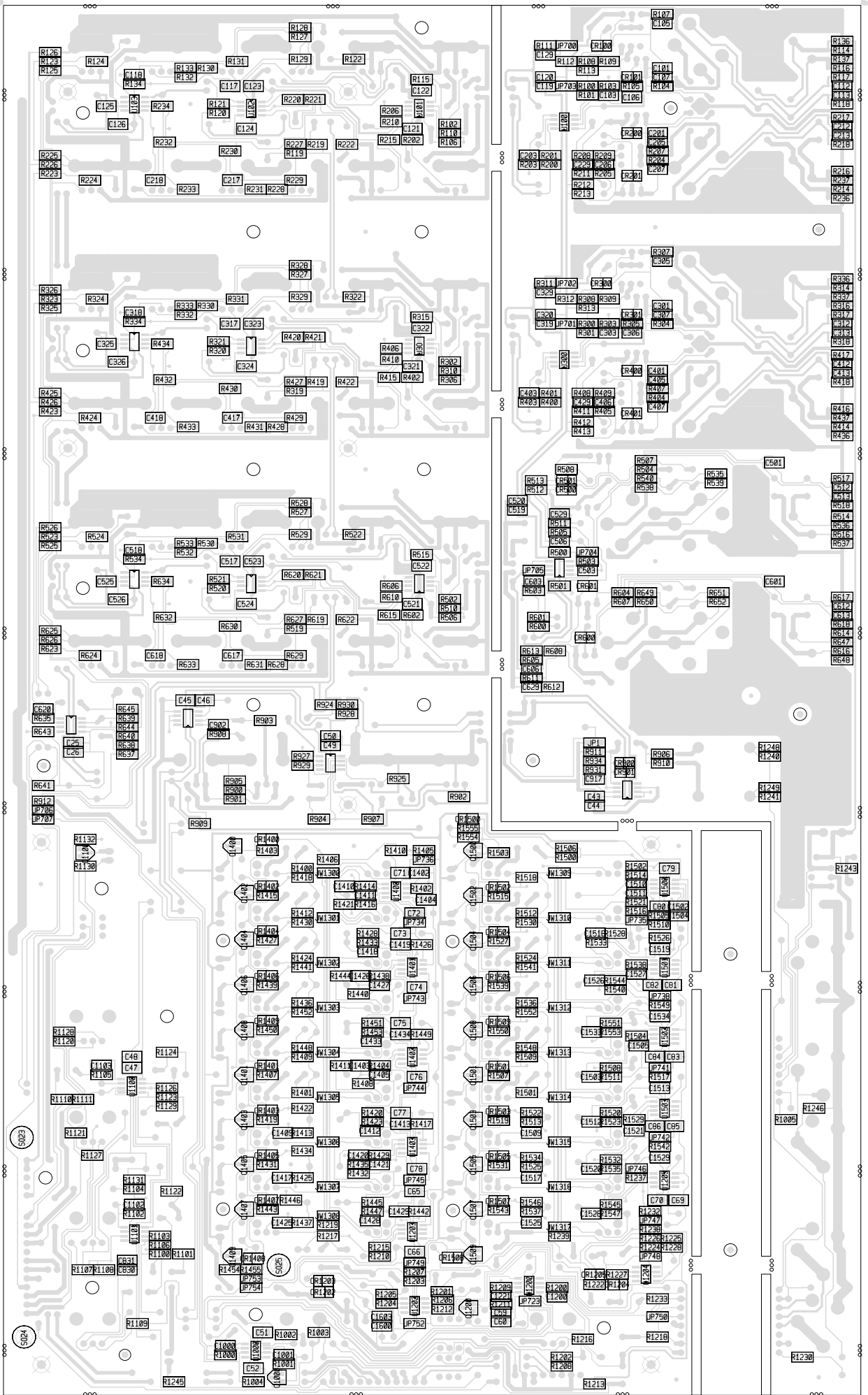
PEAVEY ELECTRONICS CORP.	
711 A STREET	
MERIDIAN, MISSISSIPPI 39301	
TITLE: XR 600F OP-AMP POWER	
SIZE: B	NUMBER: 99052634
DATE:	REV: A

COPYRIGHT 2001 PEAVEY ELECTRONICS CORP.
 PRINTED IN U S A

XR600F PREAMP PRIMARY SIDE



XR600F PREAMP SECONDARY SIDE



BILL OF MATERIALS REPORT

BOARD NAME: XR600F REPORT DATE: 6NOV00
 ASSEMBLY LEVEL NUMBER: 99053634 DESIGNER: FREDDIE EVANS/RAV
 GAULDIN PROJECT NUMBER: P9900237

QTY.	NAME	VALUE	NUMBER	DEVICE DESIGNATIONS	*****
1	98852632	98852632	ECN#0019	PCB	
12	.0015S	.0015	70300037	.0015MFE XTR 50V 10% SMT 1206	
				C142, C143, C1420, C1421, C1428, C1429, C152, C1513, C1520, C1521, C1528, C1529	
1	.0018M	.0018M	70330127	.0018M 5% 50vdc my T&A	
				C904	
12	.0015	.001	70300036	.001MFE XTR 50V 10% SMT 1206	
				C112, C113, C212, C213, C312, C313, C412, C413, C512, C513, C612, C613	
12	.012S	.012	70300074	.012UF-XTR-100V-5%-SMT1206	
				C1403, C1405, C1426, C1427, C1433, C1434, C1503, C1505, C1526, C1527, C1533, C1534	
5	.068M	.068M	70330124	.068M 5% 50vdc my T&A	
				C900, C1201, C1202, C1211, C1212	
18	.1PIUS	.1p10	70300028	.1mf4x7-50v-10% 1206	
				C1402, C1404, C1409, C1410, C1411, C1417, C1418, C1419, C1425, C1502, C1504, C1509, C1510, C1511, C1517, C1518, C1519, C1525	
62	.1S	.1	70300035	.1MFE Z5U 50V 20% SMT 1206	
				C25, C26, C43, C44, C45, C46, C47, C48, C49, C50, C51, C52, C59, C60, C65, C66, C69, C70, C71, C72, C73, C74, C75, C76, C77, C78, C79, C80, C81, C82, C83, C84, C85, C86, C119, C120, C121, C122, C123, C124, C125, C126, C319, C320, C321, C322, C323, C324, C325, C326, C319, C320, C321, C322, C323, C324, C325, C326, C830, C831, C1600, C1603	
1	.475P2	.475P2	70330148	.47MFE 5% 100VDC SF-T&A	
				C622	
12	1.1KPI5	1.1K	70200069	1.1K-1/8W-1%-SMT 1206	
				R117, R118, R217, R218, R317, R318, R417, R418, R517, R518, R617, R618	
20	1.5KS	1.5K	70200020	1.5K-1/8W-5%-SMT	
				R1127, R1128, R1400, R1401, R1412, R1413, R1424, R1425, R1436, R1437, R1448, R1500, R1501, R1512, R1513, R1524, R1525, R1536, R1537, R1548	
14	1.6KS	1.6K	70200082	1.6K-1/8W-5%-SMT 1206	
				R110, R121, R210, R221, R310, R321, R410, R421, R510, R521, R610, R621, R907, R929	
20	100KS	100K	70200034	100K-1/8W-5%-SM	
				R109, R129, R134, R209, R229, R234, R309, R329, R334, R409, R429, R434, R529, R534, R629, R634, R638, R640, R905, R928	
15	100PFS	100PF	70300044	100PF COG 50V 5% SMT 1206	
				C101, C105, C107, C201, C205, C207, C301, C305, C307, C401, C405, C407, C501, C601, C917	
31	100S	100	70200013	100-1/8W-5%-SMT	
				R122, R125, R126, R222, R225, R226, R322, R325, R326, R422, R425, R426, R522, R525, R526, R622, R625, R626, R641, R643, R912, R930, R1004, R1005, R1107, R1108, R1109, R1111, R1131, R1216, R1230	
1	100W1	100W1	70210003	100-1W-5%-MO-T&R	
				R1242	
63	10KS	10K	70200028	10K-1/8W-5%-SMT	
				R119, R123, R124, R219, R223, R224, R319, R323, R324, R419, R423, R424, R519, R523, R524, R535, R538, R539, R540, R619, R623, R624, R635, R637, R649, R650, R651, R652, R906, R909, R910, R911, R924, R931, R934, R1000,	
4	10S	10	70200011	10-1/8W-5%-SMT	
				R1217, R1219, R1238, R1239	
24	13.7KPI5	13.7KPI	70200106	13.7K 1/8W-1%-SMT 1206	
				R114, R116, R136, R137, R214, R216, R236, R237, R314, R316, R336, R337, R414, R416, R436, R437, R514, R516, R536, R537, R614, R616, R617, R648	
9	15MSOW	70901837	70901837	SPACER, 15mm-r(#4), 187 swags alum.	
				SO14, SO15, SO16, SO17, SO18, SO19, SO20, SO21, SO22	
12	1740	1740	70401740	28CT7405LN 40V,1A, NPN, LOW NOISE T&A	
				Q100, Q101, Q200, Q201, Q300, Q301, Q400, Q401, Q500, Q501, Q600, Q601	
12	180PFS	180PF	70300054	180PF-SURFACE MNT-1206 PACK	
				C106, C129, C206, C229, C306, C329, C406, C429, C506, C529, C606, C629	
2	18KS	18K	70200030	18K-1/8W-5%-SMT	
				R902, R925	
25	1KS	1K	70200019	1K-1/8W-5%-SMT	
				R103, R203, R303, R403, R503, R603, R1130, R1406, R1409, R1418, R1422, R1430, R1434, R1441, R1446, R1452, R1506, R1509, R1518, R1522, R1530, R1534, R1541, R1546, R1552	
1	1N4148	4148	70464148	1N4148 75V 10MA SILICON DIODE	
				CR1200	
4	1R50	1R50	70320261	1MFE 20% 50 VDC EL T&A	
				C1401, C1432, C1501, C1532	
12	2.15KPI5	2.15KPI	70200078	2.15K 1/8W-1%-SMT	
				R100, R101, R200, R201, R300, R301, R400, R401, R500, R501, R600, R601	
20	2.2KS	2.2K	70200021	2.2K-1/8W-5%-SMT	

18 22MS	2.2M	70200037	2.2M--1/8W--5%--SMT	R1403, R1407, R1415, R1419, R1427, R1431, R1439, R1443, R1450, R1503, R1507, R1515, R1519, R1527, R1531, R1539, R1543, R1550	C100, C102, C104, C109, C114, C115, C116, C127, C200, C202, C204, C209, C214, C215, C216, C227, C300, C302, C304, C309, C314, C315, C316, C327, C400, C402, C404, C409, C414, C415, C416, C427, C500, C502, C504, C509, C514, C515, C516, C527, C600, C602, C604, C609, C614, C615, C616, C619, C627, C901, C903, C905, C906, C914, C915, C916, C1002, C1003, C1100, C1101, C1104, C1105, C1110, C1111, C1112, C1203, C1204, C1205, C1208, C1209, C1215, C1220, C1400, C1500, C1601, C1602
25 2.2K80	2.2R50	70320180	2.2MF---20%---50VDC--EL--TK&A	C624, C1406, C1407, C1408, C1414, C1415, C1416, C1422, C1423, C1424, C1430, C1431, C1433, C1506, C1507, C1508, C1514, C1515, C1516, C1522, C1523, C1524, C1530, C1531, C1535	
7 2.7KS	2.7K	70200061	2.7K--1/8W--5%--smt	R645, R1120, R1121, R1433, R1447, R1533, R1547	
3 2068H	2068	70418150	NIM2068 LOW NOISE DUAL OP AMP-SMT	U100, U300, U500	
12 20KPI5	20Kp1	70200059	20K--1/8W--1%--SMT	R1404, R1416, R1426, R1432, R1442, R1451, R1504, R1516, R1526, R1532, R1542, R1551	
2 220KS	220K	70200044	220K--1/8W--5%--SMT	R1455, R1555	
1 220R50	220R50	70320187	220MF---20%---50VDC--EL--TK&A	C1219	
6 220S	220	70200016	220--1/8W--5%--smt	R108, R208, R308, R408, R508, R608	
31 22KS	22K	70200031	22K--1/8W--5%--SMT	R102, R106, R115, R120, R202, R206, R215, R220, R302, R306, R315, R320, R402, R406, R415, R420, R502, R506, R515, R520, R602, R606, R615, R620, R639, R644, R904, R927, R1002, R1100, R1123	
76 22R50	22R50	70320181	22MF---20%---50VDC--EL--TK&A	R1123	
8 4.7KS	4.7K	70200025	4.7K--1/8W--5%--smt	C100, C102, C104, C109, C114, C115, C116, C127, C200, C202, C204, C209, C214, C215, C216, C227, C300, C302, C304, C309, C314, C315, C316, C327, C400, C402, C404, C409, C414, C415, C416, C427, C500, C502, C504, C509, C514, C515, C516, C527, C600, C602, C604, C609, C614, C615, C616, C619, C627, C901, C903, C905, C906, C914, C915, C916, C1002, C1003, C1100, C1101, C1104, C1105, C1110, C1111, C1112, C1203, C1204, C1205, C1208, C1209, C1215, C1220, C1400, C1500, C1601, C1602	
12 4.99KPI5	4.99Kp1	70200049	4.99K--1/8W--1%--SMT	R105, R111, R205, R211, R305, R311, R405, R411, R505, R511, R605, R611	
38 4148S	4148	70418187	1N4148(1206)-SMT	CR100, CR101, CR200, CR201, CR300, CR301, CR400, CR401, CR500, CR501, CR600, CR601, CR900, CR901, CR1202, CR1203, CR1204, CR1205, CR1400, CR1401, CR1402, CR1403, CR1404, CR1405, CR1406, CR1407, CR1408, CR1409, CR1500, CR1501, CR1502, CR1503, CR1504, CR1505, CR1506, CR1507, CR1508, CR1509	
22 4560H	4560	70418053	4560 DL OP AMP-SOIC-8	U101, U102, U301, U302, U501, U502, U900, U903, U1100, U1101, U1202, U1203, U1204, U1205, U1400, U1401, U1402, U1403, U1500, U1501, U1502, U1503	
10 470R6.3	470R6.3	70320183	470MF---20%---63VDC--EL--TK&A	U1200	
17 47KS	47K	70200032	47K--1/8W--5%--SMT	U103, U303, U503, U600, U901, U1000, C128, C228, C328, C428, C528, C628, C1206, C1207, C1216, C1217	
1 47PFS	47PF	70300050	47PF COG 50V 5% SMT	C1221	
12 47V50	47V50	70320182	47MF---20%---50VDC--LL--TK&A	R104, R107, R204, R207, R304, R307, R404, R407, R1003, R1110, R1132, R1208, R1212, R1213, R1218, R1233, R1246	
6 330PFS	330PF	70300012	330PF COG 50V 5% SMT 1206	R1405, R1414, R1420, R1429, R1440, R1449, R1505, R1514, R1520, R1529, R1540, R1549	
6 330PFS	330PF	70300012	330PF COG 50V 5% SMT 1206	R1540, R1549	
3 375SOW	70900295	70900295	SPACER, 3/8,R(4H),187 SWAGE ALUM.		
3 33KS	33K	70200063	33K--1/8W--5%--SM	R1103, R1126, R1209	
6 330PFS	330PF	70300056	330PF NPO 100V 5% SMT 1206	R394, R507, R604, R607	
4 30.1KPI5	30.1Kp1	70200056	30.1K--1/8W--1%--SMT-1206	C103, C203, C303, C403, C503, C603	
2 3.3KS	3.3K	70200023	3.3K--1/8W--5%--smt	R1248, R1249	
12 3.32KPI5	3.32Kp1	70200105	3.32K 1/8W--1%--SMT-1206	R112, R113, R212, R213, R312, R313, R412, R413, R512, R513, R612, R613	
1 2N3919S	3919	70418034	2N3919 NPN(SOT-23) XSIDTOR SMT	Q1100	
1 26.7KPI5	26.7K	70200067	26.7K--1/8W--1%--SMT-1206	R1202	
1 270PFS	270PF	70300052	270PF 50Vdc 10% X7 1206	C1200	
1 2N3919S	3919	70418034	2N3919 NPN(SOT-23) XSIDTOR SMT		

4 4PRCJ 4PRCJ 70600024 4 CON. RIBBON CABLE .100 CTR 2.25" JUMPER
J102, J302, J502, J901
8 562KPI1 562KPI 70200118 562K-1/8W-1%-SMT
R1411, R1421, R1435, R1453, R1511,
R1521, R1535, R1553
27 6.8KS 6.8K 70200026 6.8K-1/8W-5%-SMT
R127, R128, R132, R133, R227, R228,
R232, R233, R327, R328, R332, R333,
R427, R428, R432, R433, R527, R528,
R532, R533, R627, R628, R632, R633,
R900, R901, R908
6 6800PFS 6800PF 70300046 6800PF-XTR 50V 5% SMT 1206
C117, C217, C317, C417, C517, C617
6 680PFS 680PF 70300016 680PF-COG-50V-5%-SMT-1206 PACK
C118, C218, C318, C418, C518, C618
1 68KS 68K 70200033 68K-1/8W-5%-SMT
R1001
6 75KS 75K 70200092 75K-1/8W-5%-SMT 1206
R1402, R1417, R1438, R1502, R1517, R1538
2 8.2KS 8.2K 70200042 8.2K-1/8W-5%-SMT
R903, R1211
2 88RCJ2 88RCJ2 70600063 8C PRE-TIN .100 CTR 9" JUMPER (SPLIT VERSION)
J1207, J1208
2 88RCJ2 70600028 8C PRE-TIN .100 CTR 2.5" JMP (SPLIT VERSION)
J1205, J1206
6 FXLR 7146218 7146218 MACH INSERT FEMALE XLR CON
J101, J201, J301, J401, J501, J601
5 HDMMN1 71466214 71466214 2 TIP HD JACK NINS W/SPD
J1000, J1100, J1201, J1202, J1203
8 HDMS1 71466217 71466217 STEREO HD JACK NINS W/SPD
J100, J200, J300, J400, J500, J503,
R600, R603
2 J111S J111 70418138 J111 N-CH JFET SOT23 SMT
Q1000, Q1200
60 J32S J 70600005 22GA JUMPER WIRES T&R
JP300, JP301, JP302, JP303, JP304,
JP305, JP306, JP307, JP309, JP310,
JP311, JP312, JP313, JP314, JP316,
JP317, JP318, JP319, JP321, JP322,
JP323, JP324, JP325, JP326, JP327,
JP328, JP329, JP361, JP362, JP363,
JP364, JP365, JP366, JP367, JP368, JP369,
JP370, JP371, JP372, JP373, JP374,
JP375, JP376, JP377, JP378, JP379,
JP380, JP381, JP382, JP383, JP384,
JP385, JP386, JP387, JP388, JP389,
JP400, JP401, JP402, JP403, JP406, JP407, JP409,
JP408, JP4088, JP4090, JP4093, JP414