

Also: **SVT-CL TUBE BD**

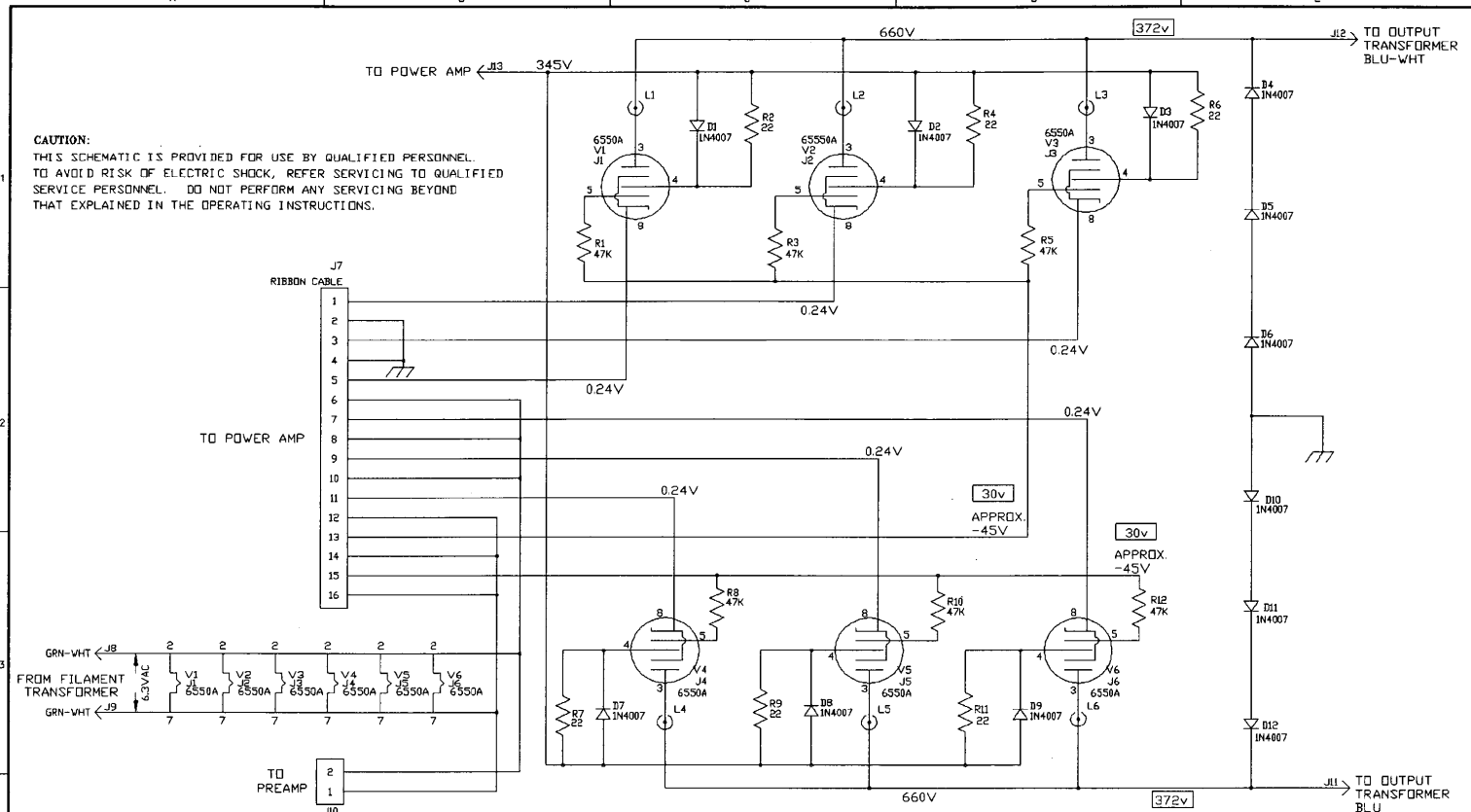
NOTES:

The screen-grid resistors were later changed from 22 to 220 ohms.

The screen-grid diodes were later omitted.

SVT-2 PRO TUB BD

Ampeg



CAUTION:
THIS SCHEMATIC IS PROVIDED FOR USE BY QUALIFIED PERSONNEL TO AVOID RISK OF ELECTRIC SHOCK, REFER SERVICING TO QUALIFIED SERVICE PERSONNEL. DO NOT PERFORM ANY SERVICING BEYOND THAT EXPLAINED IN THE OPERATING INSTRUCTIONS.

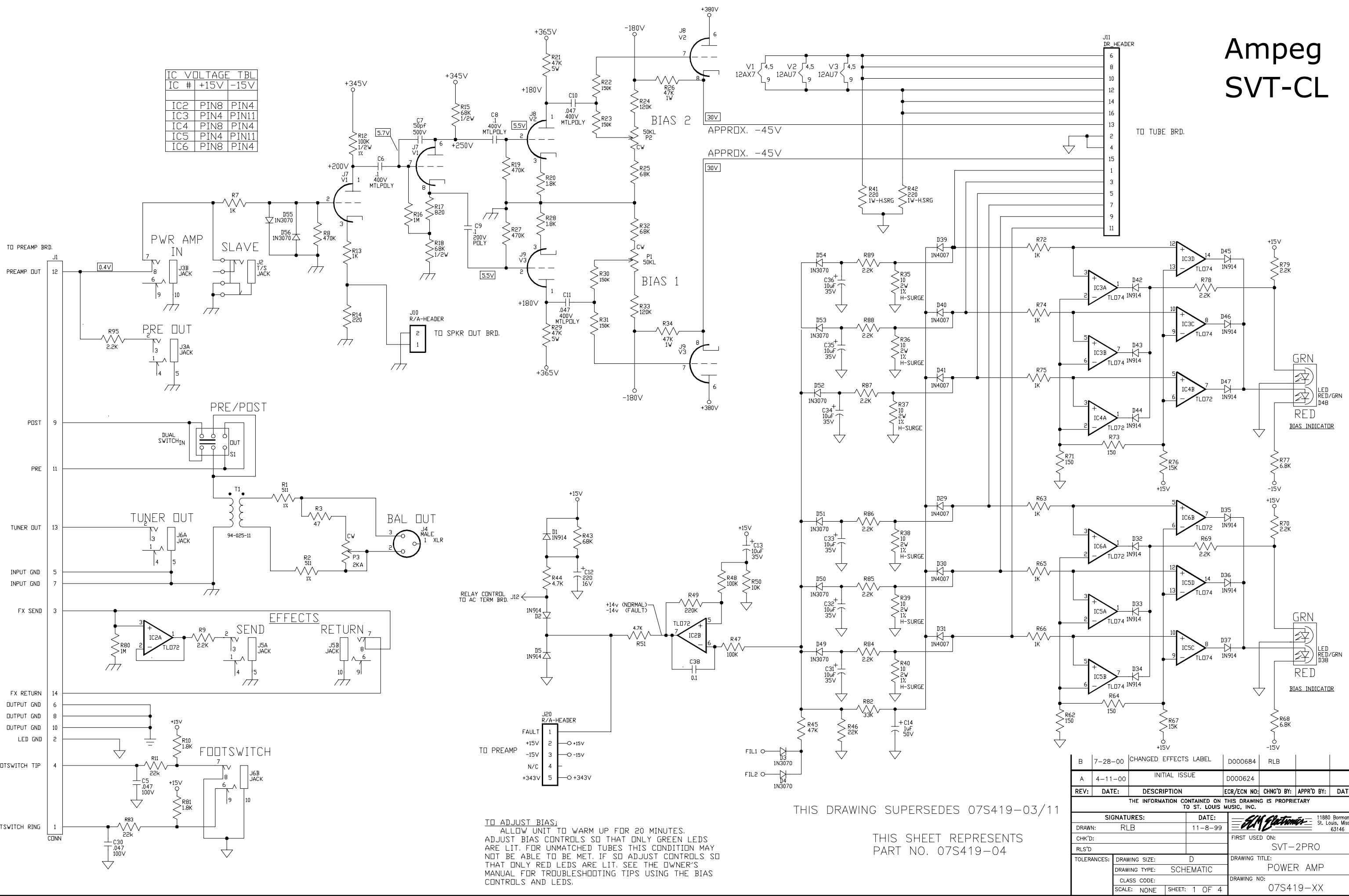
NOTES

- 1) CAUTION: SHOCK HAZARD! THIS UNIT CONTAINS HAZARDOUS VOLTAGE. DISCONNECT POWER AND BE SURE POWER SUPPLY IS DISCHARGED BEFORE TOUCHING INTERNAL PARTS.
- 2) UNLESS NOTED, RESISTOR VALUES IN OHMS, 1/4W-5% TOL. CAPACITOR VALUES IN MICROFARADS, 50V-10% TOL.
- 3) VOLTAGES ARE MEASURED WITH 1 MEGOHM OSCILLOSCOPE AND 10 MEGOHM DIGITAL VOLTMETER. VOLTAGES IN RECTANGLES ARE RMS SIGNAL VOLTAGES WITH FULL POWER OUTPUT. OTHER VOLTAGES ARE DC WITH NO SIGNAL.

3	08/30/96	LMA	UPDATED REV TO REFLECT PIC CHANGE E960333
2	05/16/94	LMA	REV CHG TO REFLECT JUMPER CHG PER E150
1			
REV	DATE	BY	CHK'D
SIGNATURES:		DATE:	11880 BORMAN DR. ST. LOUIS, MISSOURI 63148
DRAWN: SWR		03/02/93	
CHK'D:		PROJECT NAME: SVT-2 PRO	
APP'D:		DRAWING NAME: TUBE Bd. SCHEMATIC	
ORIGINAL ISSUED:			
PLOT DATE:		09/03/96	
PLOT TIME:		07:16:59	
FILE NAME:		41941h3z	
SCALE:		1:1	
SHEET:		1 OF 1	

Ampeg SVT-CL

IC VOLTAGE TBL		
IC #	+15V	-15V
IC2	PIN8	PIN4
IC3	PIN4	PIN11
IC4	PIN8	PIN4
IC5	PIN4	PIN11
IC6	PIN8	PIN4



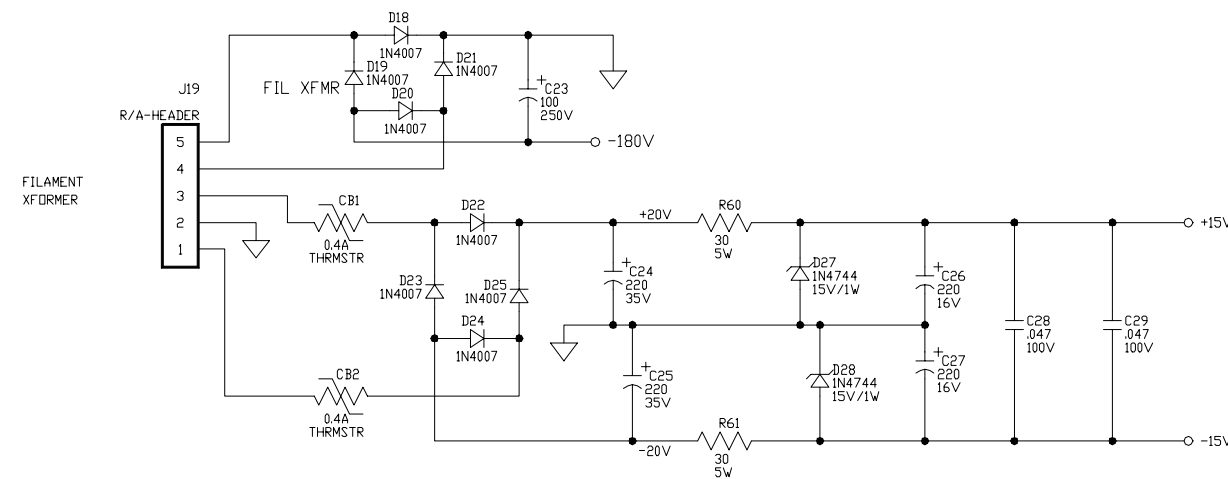
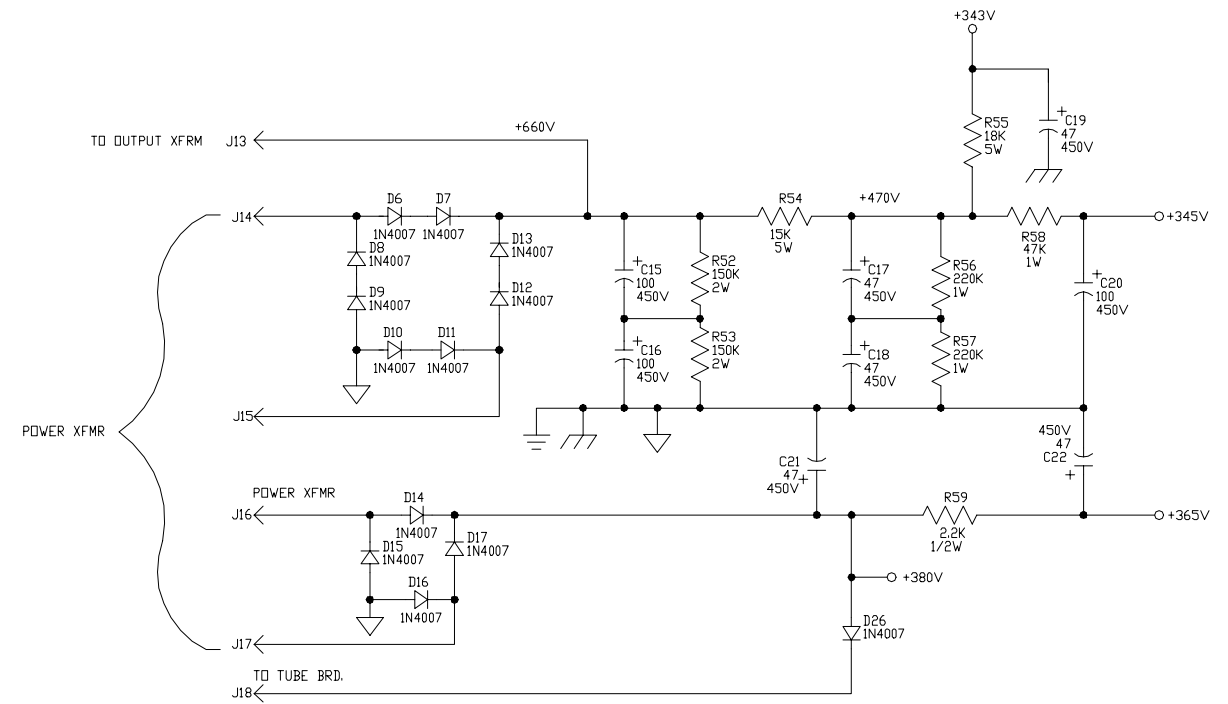
TO ADJUST BIAS:
 ALLOW UNIT TO WARM UP FOR 20 MINUTES.
 ADJUST BIAS CONTROLS SO THAT ONLY GREEN LEDS
 ARE LIT. FOR UNMATCHED TUBES THIS CONDITION MAY
 NOT BE ABLE TO BE MET. IF SO ADJUST CONTROLS SO
 THAT ONLY RED LEDS ARE LIT. SEE THE OWNER'S
 MANUAL FOR TROUBLESHOOTING TIPS USING THE BIAS
 CONTROLS AND LEDES.

THIS DRAWING SUPERSEDES 07S419-03/11

THIS SHEET REPRESENTS
 PART NO. 07S419-04

B	7-28-00	CHANGED EFFECTS LABEL	D000684	RLB		
A	4-11-00	INITIAL ISSUE	D000624			
REV:	DATE:	DESCRIPTION	ECR/ECN NO:	CHNG'D BY:	APPR'D BY:	DATE:
THE INFORMATION CONTAINED ON THIS DRAWING IS PROPRIETARY TO ST. LOUIS MUSIC, INC.						
SIGNATURES:		DATE:		11880 Borman Dr. St. Louis, Missouri 63146		
DRAWN: RLB		11-8-99		FIRST USED ON:		
CHK'D:				SVT-2PRO		
RLS'D:				DRAWING TITLE:		
TOLERANCES:		DRAWING SIZE: D		DRAWING NO:		
		DRAWING TYPE: SCHEMATIC		POWER AMP		
		CLASS CODE:		DRAWING NO:		
		SCALE: NONE		SHEET: 1 OF 4		
				07S419-XX		

Ampeg SVT-CL



NOTES

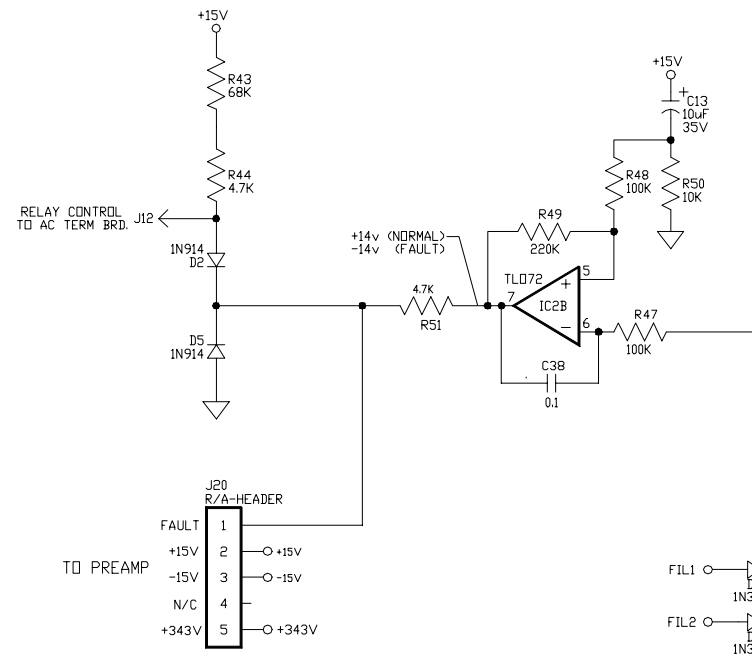
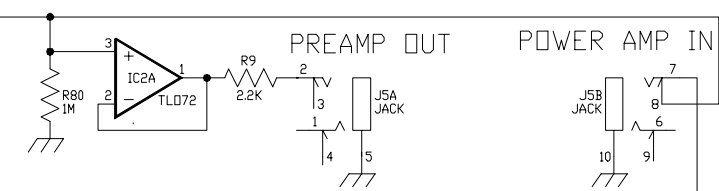
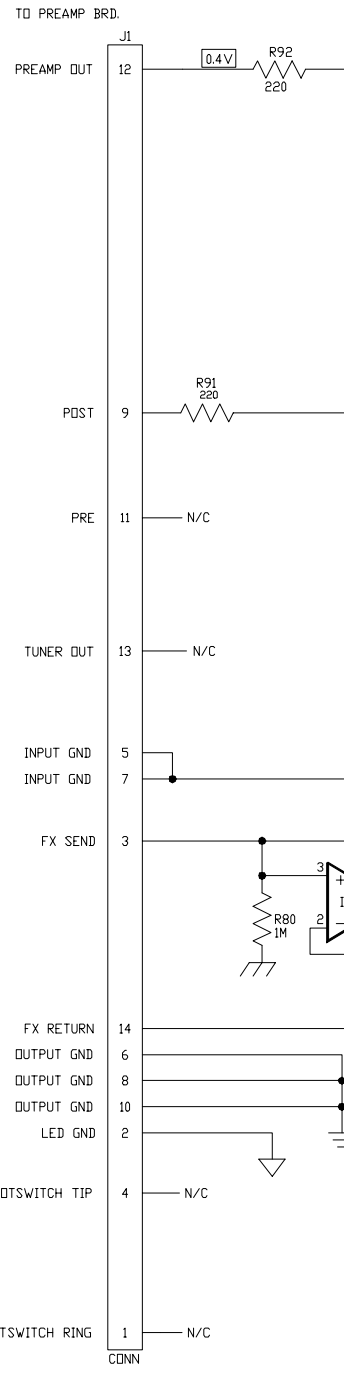
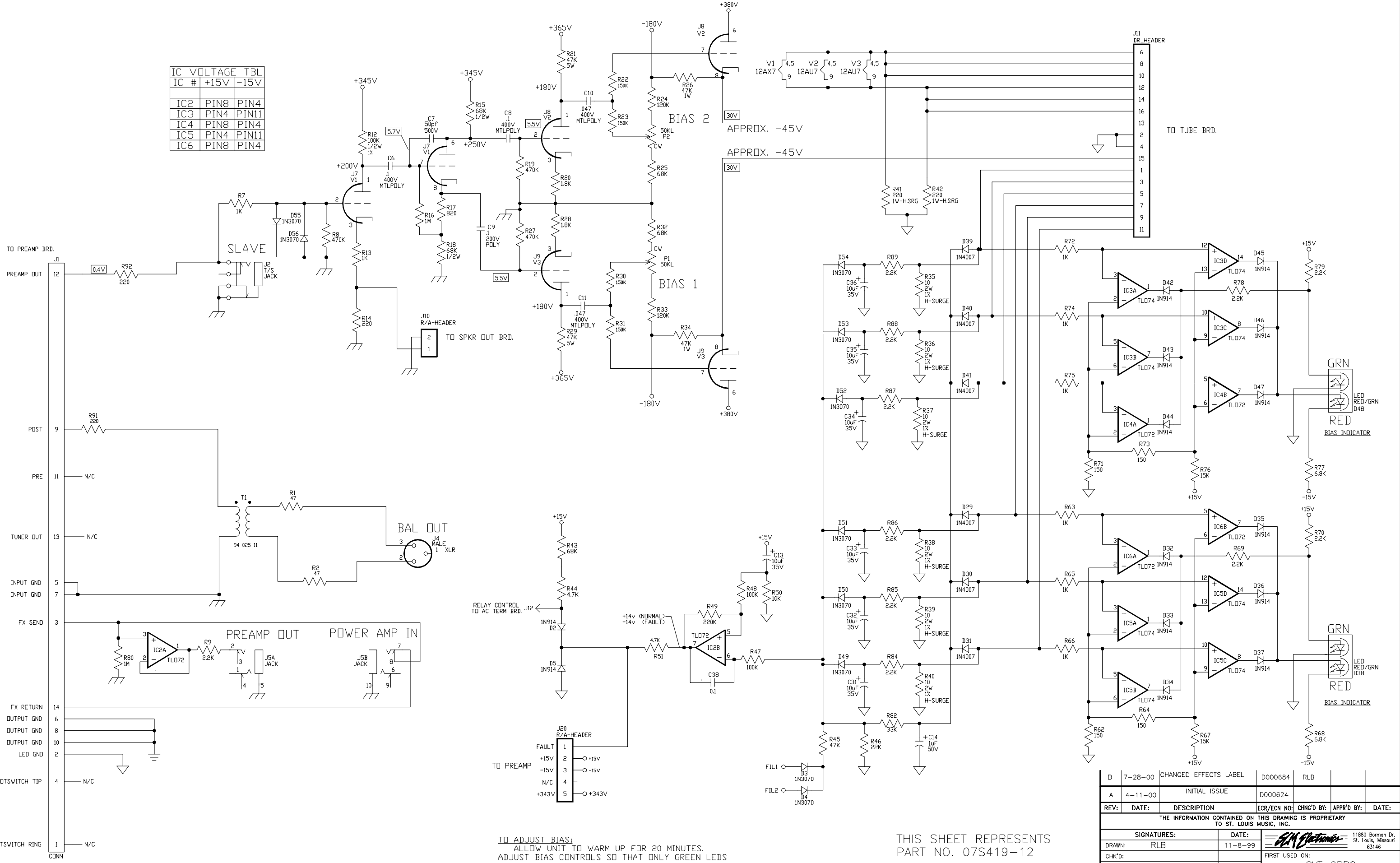
- 1) CAUTION: SHOCK HAZARD!!
THIS UNIT CONTAINS HAZARDOUS VOLTAGE. DISCONNECT POWER AND BE SURE POWER SUPPLY IS DISCHARGED BEFORE TOUCHING INTERNAL PARTS.
- 2) UNLESS NOTED, RESISTOR VALUES IN OHMS, 1/4W-5% TOL. CAPACITOR VALUES IN MICROFARADS, 50V-10% TOL.
- 3) VOLTAGES ARE MEASURED WITH 1 MEGOHM OSCILLOSCOPE AND 10 MEGOHM DIGITAL VOLTMETER.
- 4) VOLTAGES IN RECTANGLES ARE RMS SIGNAL VOLTAGES WITH 0.4v IN. OTHER VOLTAGES ARE D.C. IN CONDITIONS STATED.
- 5) CIRCUIT GROUND \uparrow DIRTY GROUND ∇ CHASSIS GROUND \oplus

THIS SHEET REPRESENTS
PART NO. 07-419-04

B	7-28-00	CHANGED EFFECTS LABEL	D000684	RLB		
A	4-11-00	INITIAL ISSUE	D000624			
REV:	DATE:	DESCRIPTION	ECR/ECN NO:	CHNG'D BY:	APPR'D BY:	DATE:
THE INFORMATION CONTAINED ON THIS DRAWING IS PROPRIETARY TO ST. LOUIS MUSIC, INC.						
SIGNATURES:		DATE:				
DRAWN:	RLB	11-8-99		FIRST USED ON:		
CHK'D:				SVT-2PRO		
RLS'D:				DRAWING TITLE:		
TOLERANCES:		DRAWING SIZE: D		DRAWING NO:		
		DRAWING TYPE: SCHEMATIC		POWER AMP		
		CLASS CODE:		DRAWING NO:		
		SCALE: NONE		07S419-XX		
		SHEET: 2 OF 4				

11880 Borman Dr.
St. Louis, Missouri
63146

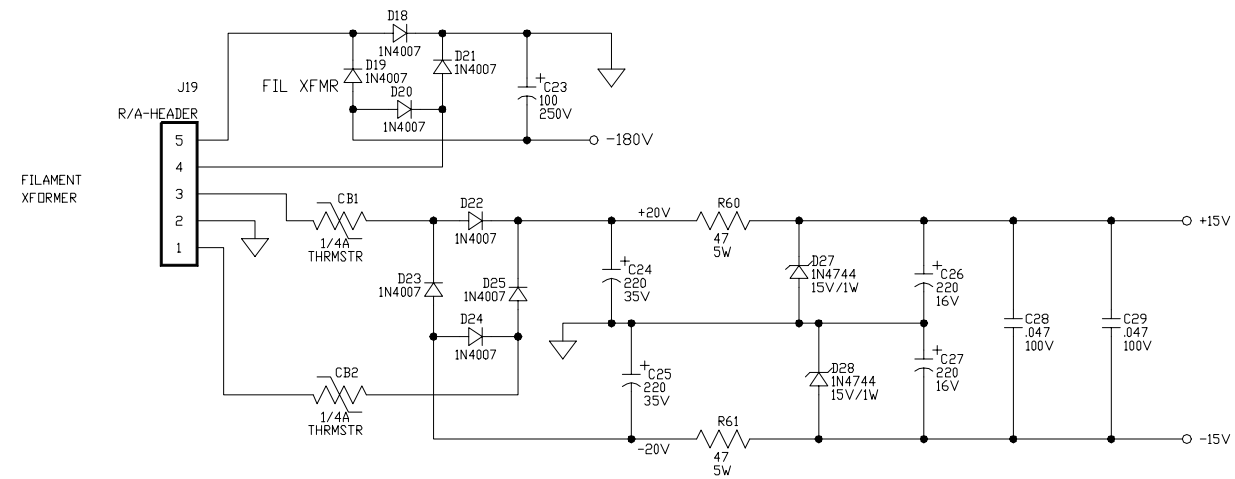
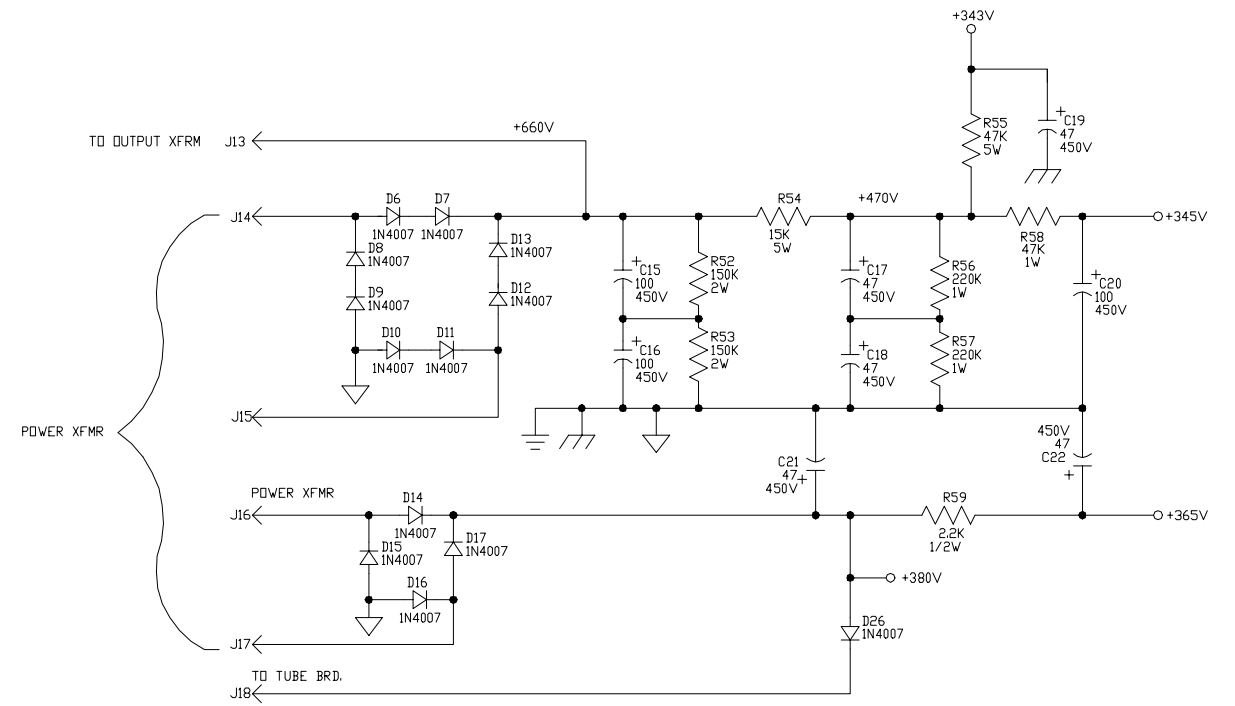
IC VOLTAGE TBL			
IC #	+15V	-15V	
IC2	PIN8	PIN4	
IC3	PIN4	PIN11	
IC4	PIN8	PIN4	
IC5	PIN4	PIN11	
IC6	PIN8	PIN4	



TO ADJUST BIAS:
 ALLOW UNIT TO WARM UP FOR 20 MINUTES.
 ADJUST BIAS CONTROLS SO THAT ONLY GREEN TUBES
 ARE LIT. FOR UNMATCHED TUBES THIS CONDITION MAY
 NOT BE ABLE TO BE MET. IF SO ADJUST CONTROLS SO
 THAT ONLY RED LEDES ARE LIT. SEE THE OWNER'S
 MANUAL FOR TROUBLESHOOTING TIPS USING THE BIAS
 CONTROLS AND LEDES.

THIS SHEET REPRESENTS
 PART NO. 07S419-12

B	7-28-00	CHANGED EFFECTS LABEL	D000684	RLB		
A	4-11-00	INITIAL ISSUE	D000624			
REV:	DATE:	DESCRIPTION	ECR/ECN NO:	CHNG'D BY:	APPR'D BY:	DATE:
THE INFORMATION CONTAINED ON THIS DRAWING IS PROPRIETARY TO ST. LOUIS MUSIC, INC.						
SIGNATURES:		DATE:		11880 Borman Dr. St. Louis, Missouri 63146		
DRAWN: RLB		11-8-99		FIRST USED ON:		
CHK'D:				SVT-2PRO		
RLS'D:				DRAWING TITLE:		
TOLERANCES:		DRAWING SIZE: D		DRAWING NO:		
		DRAWING TYPE: SCHEMATIC		POWER AMP		
		CLASS CODE:		DRAWING NO:		
		SCALE: NONE		SHEET: 3 OF 4		
				DRAWING NO: 07S419-XX		



NOTES

- 1) CAUTION: SHOCK HAZARD!!
THIS UNIT CONTAINS HAZARDOUS VOLTAGE. DISCONNECT POWER AND BE SURE POWER SUPPLY IS DISCHARGED BEFORE TOUCHING INTERNAL PARTS.
- 2) UNLESS NOTED, RESISTOR VALUES IN OHMS, 1/4W-5% TOL. CAPACITOR VALUES IN MICROFARADS, 50V-10% TOL.
- 3) VOLTAGES ARE MEASURED WITH 1 MEGOHM OSCILLOSCOPE AND 10 MEGOHM DIGITAL VOLTMETER.
- 4) VOLTAGES IN RECTANGLES ARE RMS SIGNAL VOLTAGES WITH 0.4v IN. OTHER VOLTAGES ARE D.C. IN CONDITIONS STATED.
- 5) CIRCUIT GROUND ⏏ DIRTY GROUND ⏏ CHASSIS GROUND ⏏

THIS SHEET REPRESENTS
PART NO. 07S419-12

B	7-28-00	CHANGED EFFECTS LABEL	D000684	RLB		
A	4-11-00	INITIAL ISSUE	D000624			
REV:	DATE:	DESCRIPTION	ECR/ECN NO:	CHNG'D BY:	APPR'D BY:	DATE:
THE INFORMATION CONTAINED ON THIS DRAWING IS PROPRIETARY TO ST. LOUIS MUSIC, INC.						
SIGNATURES:		DATE:				
DRAWN:	RLB	11-8-99		FIRST USED ON:		
CHK'D:				SVT-2PRO		
RLS'D:				DRAWING TITLE:		
TOLERANCES:	DRAWING SIZE: D		DRAWING TITLE: POWER AMP			
	DRAWING TYPE: SCHEMATIC		DRAWING NO: 07S419-XX			
	CLASS CODE:		SCALE: NONE SHEET: 4 OF 4			

11880 Borman Dr.
St. Louis, Missouri
63146