

TEST POINT CONDITIONS:  
 GAIN, DSP/EFF SEND, CD LEVEL & LEVEL @ "10".  
 ALL OTHER CONTROLS @ "5" EXCEPT DSP LEVEL @ "0".  
 1KHZ SINEWAVE INPUT.

Power Table		
RefDes	+13VP	-13VP
IC 1	8	4
IC 2	8	4
IC 3	8	4
IC 4	8	4
IC 5	4	11
IC 6	4	11
IC 7	8	4
IC 8	4	11

CAUTION:  
 THIS SCHEMATIC IS PROVIDED FOR USE BY QUALIFIED PERSONNEL.  
 TO AVOID RISK OF ELECTRIC SHOCK, REFER SERVICING TO QUALIFIED  
 SERVICE PERSONNEL. DO NOT PERFORM ANY SERVICING BEYOND  
 THAT EXPLAINED IN THE OPERATING INSTRUCTIONS.

NOTES:  
 1) CAUTION: SHOCK HAZARD!!  
 THIS UNIT CONTAINS HAZARDOUS VOLTAGE. DISCONNECT POWER  
 AND BE SURE POWER SUPPLY IS DISCHARGED BEFORE  
 TOUCHING INTERNAL PARTS.  
 2) UNLESS NOTED, RESISTOR VALUES IN OHMS, 1/8W-5% TOL.  
 CAPACITOR VALUES IN MICROFARADS, 50V-10% TOL.  
 3) VOLTAGES ARE MEASURED WITH 1 MEGOHM OSCILLOSCOPE  
 AND 10 MEGOHM DIGITAL VOLTMETER.

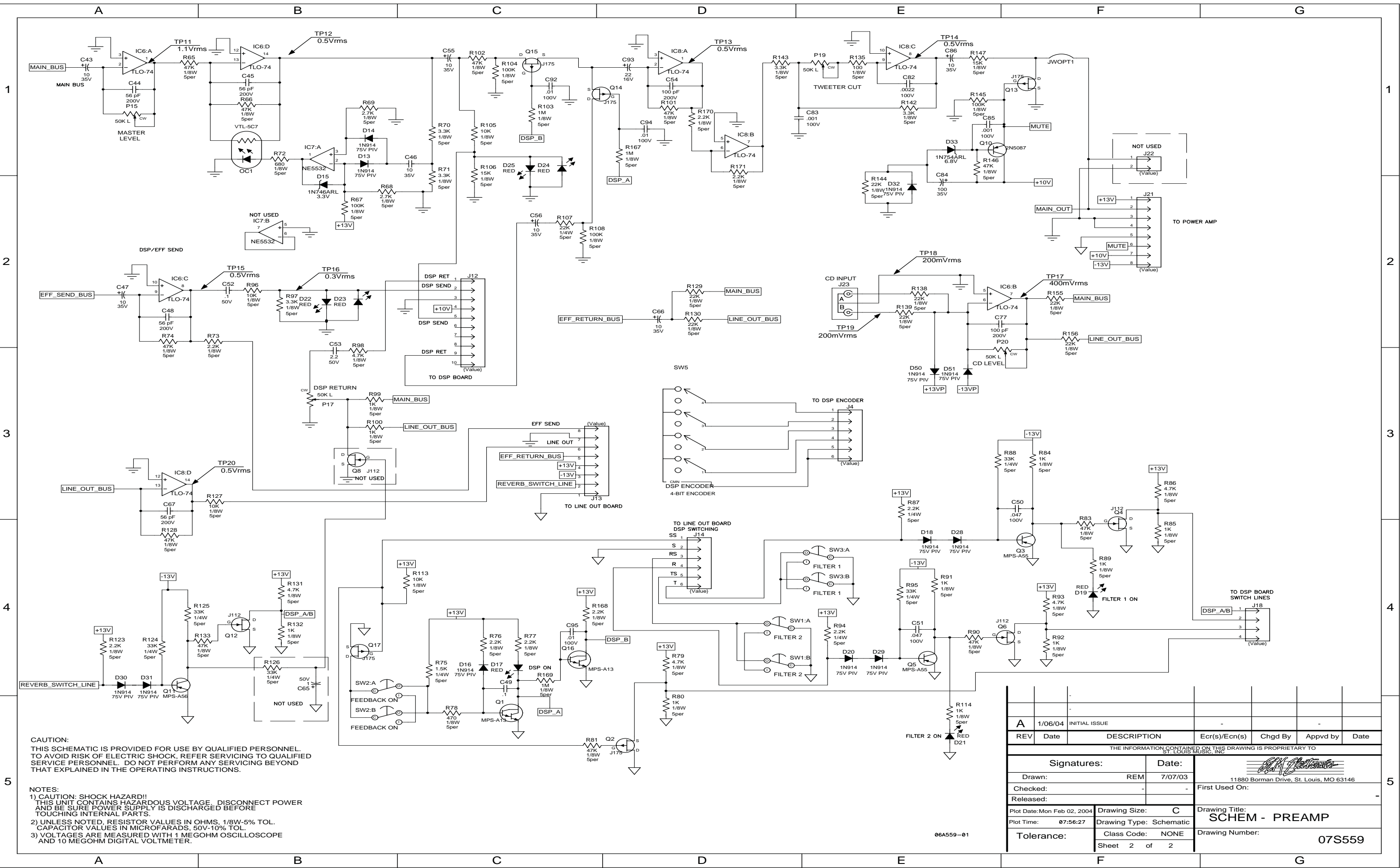
REV	Date	DESCRIPTION	Ecr(s)/Ecn(s)	Chgd By	Appvd by	Date
A	1/06/04	INITIAL ISSUE				

THE INFORMATION CONTAINED ON THIS DRAWING IS PROPRIETARY TO  
 ST. LOUIS MUSIC, INC.

Signatures:		Date:
Drawn: REM		7/07/03
Checked: -		-
Released:		

11880 Borman Drive, St. Louis, MO 63146

Plot Date: Mon Feb 02, 2004	Drawing Size: C	Drawing Title: SCHEM - PREAMP
Plot Time: 07:56:26	Drawing Type: Schematic	Drawing Number: 07S559
Tolerance:	Class Code: NONE	Sheet 1 of 2



**CAUTION:**  
 THIS SCHEMATIC IS PROVIDED FOR USE BY QUALIFIED PERSONNEL.  
 TO AVOID RISK OF ELECTRIC SHOCK, REFER SERVICING TO QUALIFIED  
 SERVICE PERSONNEL. DO NOT PERFORM ANY SERVICING BEYOND  
 THAT EXPLAINED IN THE OPERATING INSTRUCTIONS.

**NOTES:**  
 1) CAUTION: SHOCK HAZARD!!  
 THIS UNIT CONTAINS HAZARDOUS VOLTAGE. DISCONNECT POWER  
 AND BE SURE POWER SUPPLY IS DISCHARGED BEFORE  
 TOUCHING INTERNAL PARTS.  
 2) UNLESS NOTED, RESISTOR VALUES IN OHMS, 1/8W-5% TOL.  
 CAPACITOR VALUES IN MICROFARADS, 50V-10% TOL.  
 3) VOLTAGES ARE MEASURED WITH 1 MEGOHM OSCILLOSCOPE  
 AND 10 MEGOHM DIGITAL VOLTMETER.

REV	Date	DESCRIPTION	Ecr(s)/Ecn(s)	Chgd By	Appvd by	Date
A	1/06/04	INITIAL ISSUE	-	-	-	-
THE INFORMATION CONTAINED ON THIS DRAWING IS PROPRIETARY TO ST. LOUIS SLC, INC.						
Signatures:		Date:		11880 Borman Drive, St. Louis, MO 63146		
Drawn: REM		7/07/03		First Used On:		
Checked: -		-		-		
Released:		-		-		
Plot Time: Mon Feb 02, 2004		Drawing Size: C		Drawing Title: SCHEM - PREAMP		
Plot Time: 07:56:27		Drawing Type: Schematic		Drawing Number: 07S559		
Tolerance:		Class Code: NONE		Sheet 2 of 2		