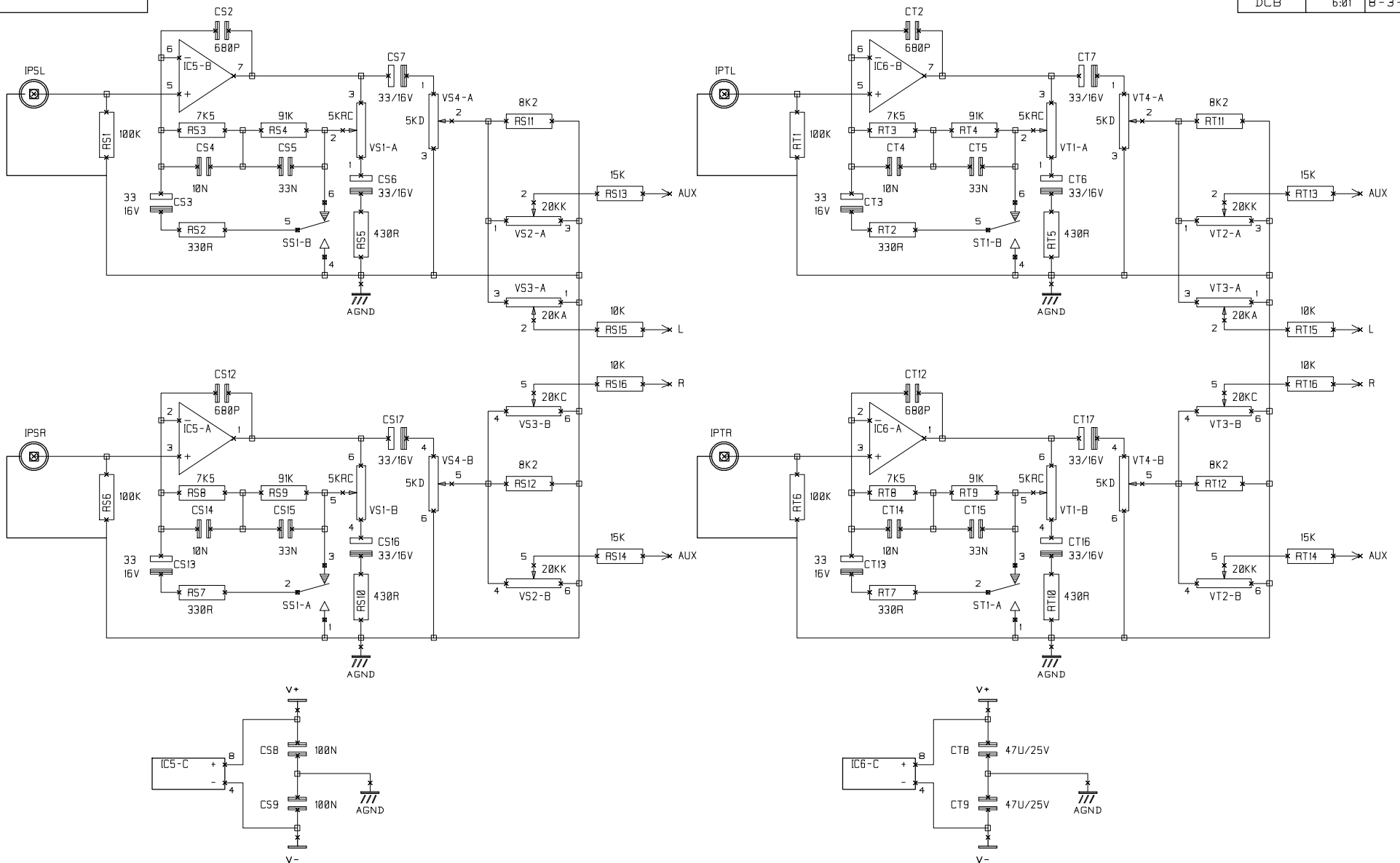


NOTES
 THE ABOVE CIRCUIT IS REPEATED FOR CHANNELS 3 & 4 WITH C & D COMPONENT SUFFIX. IC1,2 BECOME IC3,4.

NOTES

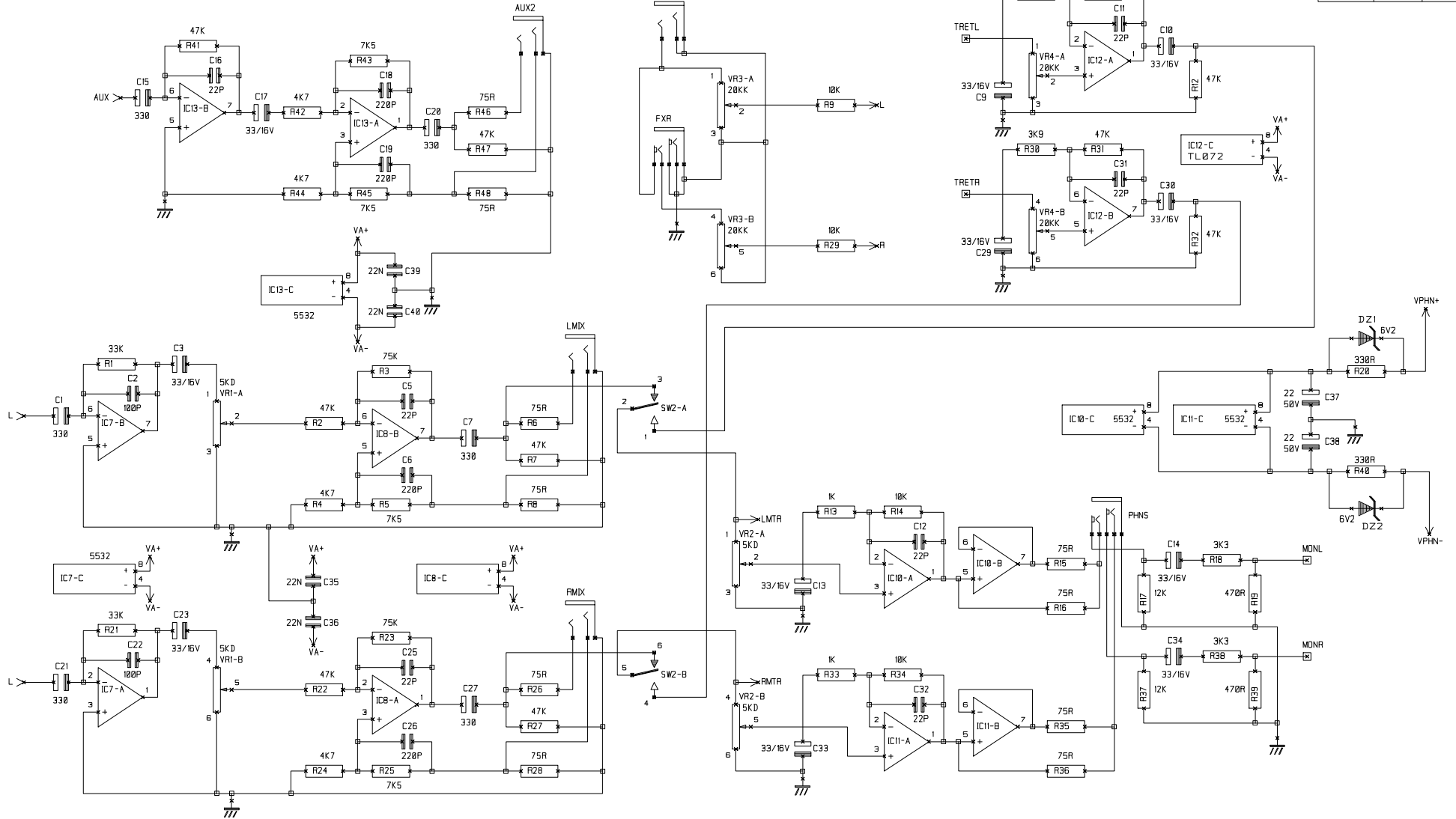


NOTES

DRN. GHB

TITLE SPIRIT NOTEPAD STEREO INPUT

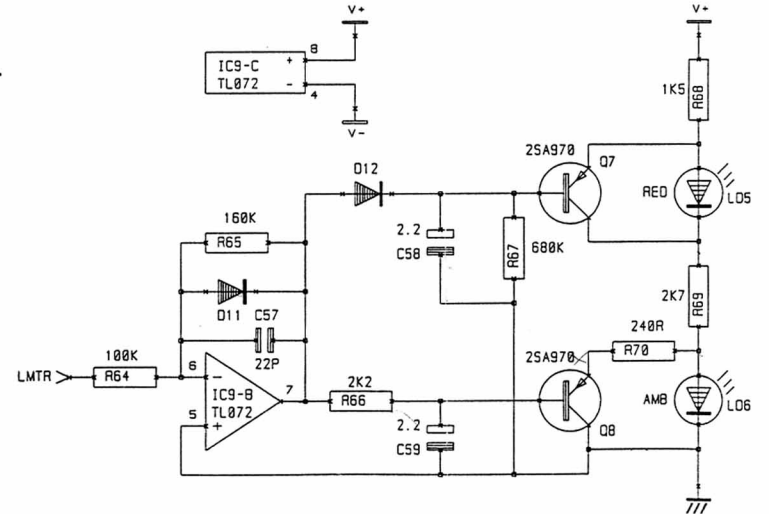
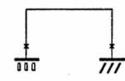
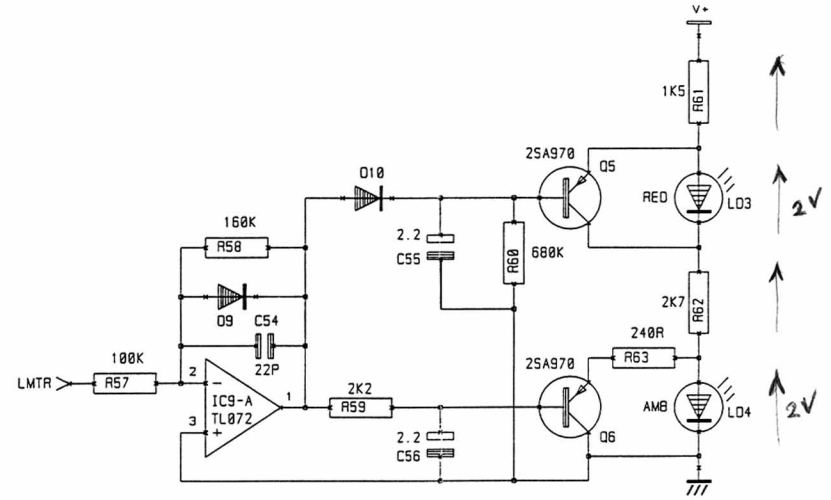
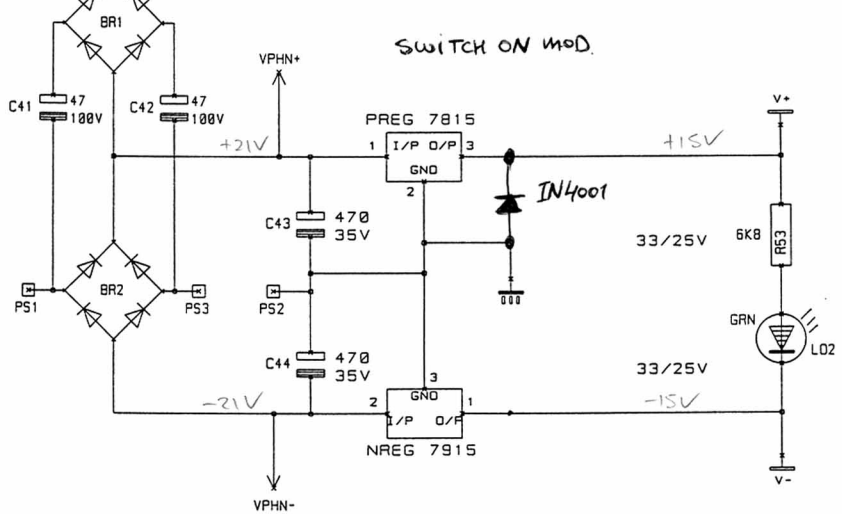
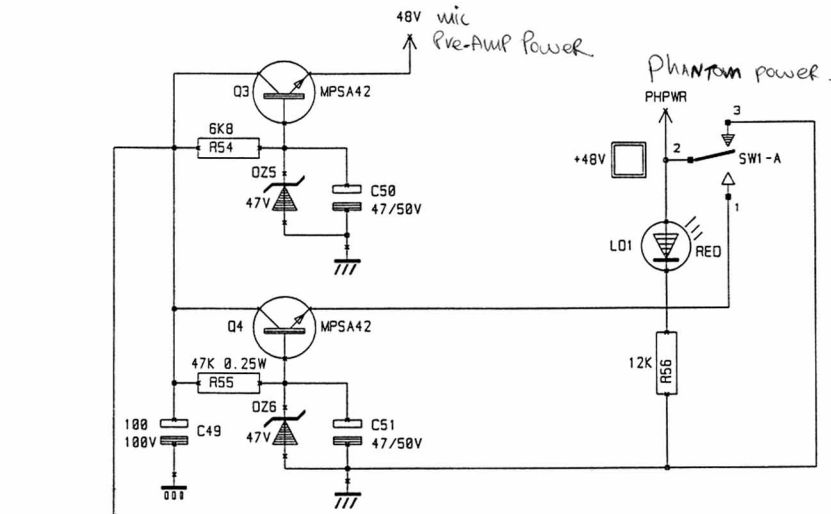
DRG NO. ED3687B



NOTES

NOTES

DRN.	GHB	TITLE	SPRIT NOTEPAD MASTER 1
		DRG NO	ED3687C



SOUNDCRAFT OWNS THE COPYRIGHT OF THIS DRAWING WHICH IS NOT TO BE COPIED, REPRODUCED OR DISCLOSED, IN PART OR IN WHOLE TO A THIRD PARTY WITHOUT WRITTEN PERMISSION.

NOTES

SOUNDCRAFT
HARMAN INT. INDUSTRIES LTD.
CRANBORNE HOUSE,
CRANBORNE ROAD,
POTTERS BAR,
HERTS., ENG 3JN.
TEL: 01707 665000
FAX: 01707 660482

ORN.
GHB

TITLE
SPIRIT NOTEPAD
MASTER 2

ORG NO. E036870

SHT. 4 OF 4