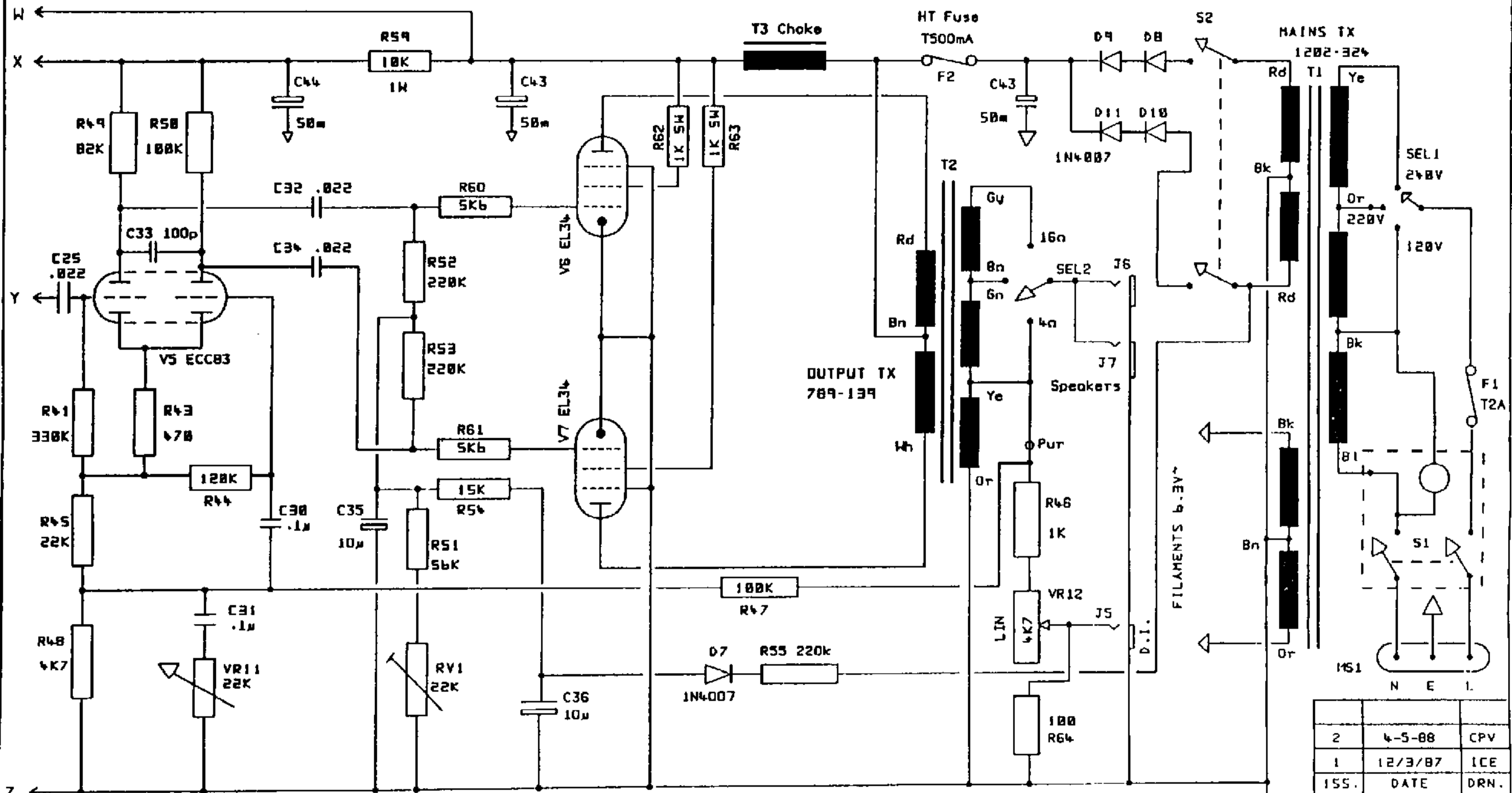


Notes:
 PCB: JM03
 V1, V2, V3, V4
 ECC83/12AX7
 All pots LOG unless
 stated otherwise

2	18-5-88	CPV
1	6/3/87	ICE
ISS. DATE		DRN.
DRAWING NUMBER		
2205 Preamp		
MARSHALL		
JIM MARSHALL PRODUCTS LTD. BLETCHLEY MILTON KEYNES ENGLAND		
File: 2205PRE.061		



2	4-5-88	CPV
1	12/3/87	ICE
ISS.	DATE	DRN.

2205 STD
Output Stage & PSU

MARSHALL

JIM MARSHALL
PRODUCTS LTD.
BLETCHLEY
MILTON KEYNES
ENGLAND
File 2205P4R.DGM