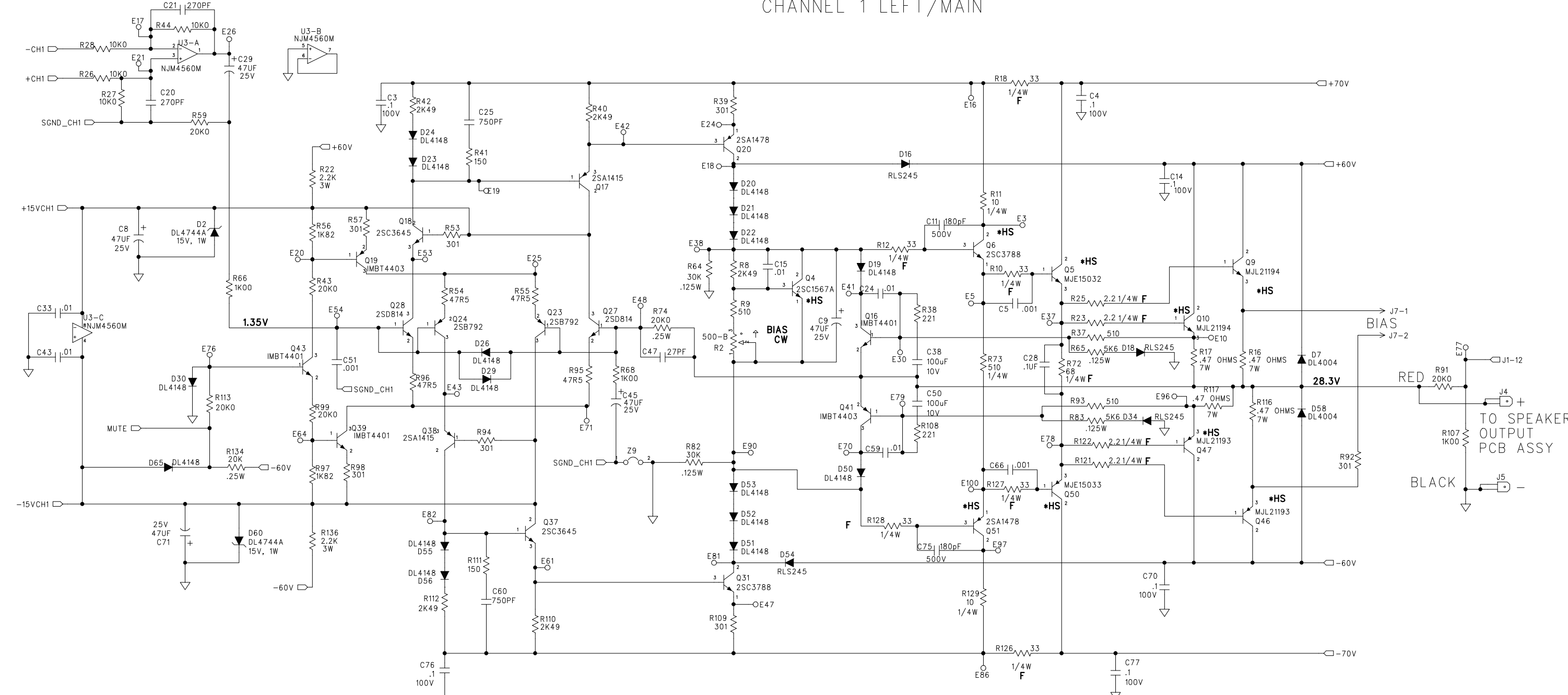


CHANNEL 1 LEFT/MAIN

Schematic matches Rev.A Circuit Board



D

D

C

C

B

B

A

A

- 450-204-00 Rev.A
- 400W Amp PWR Mixer

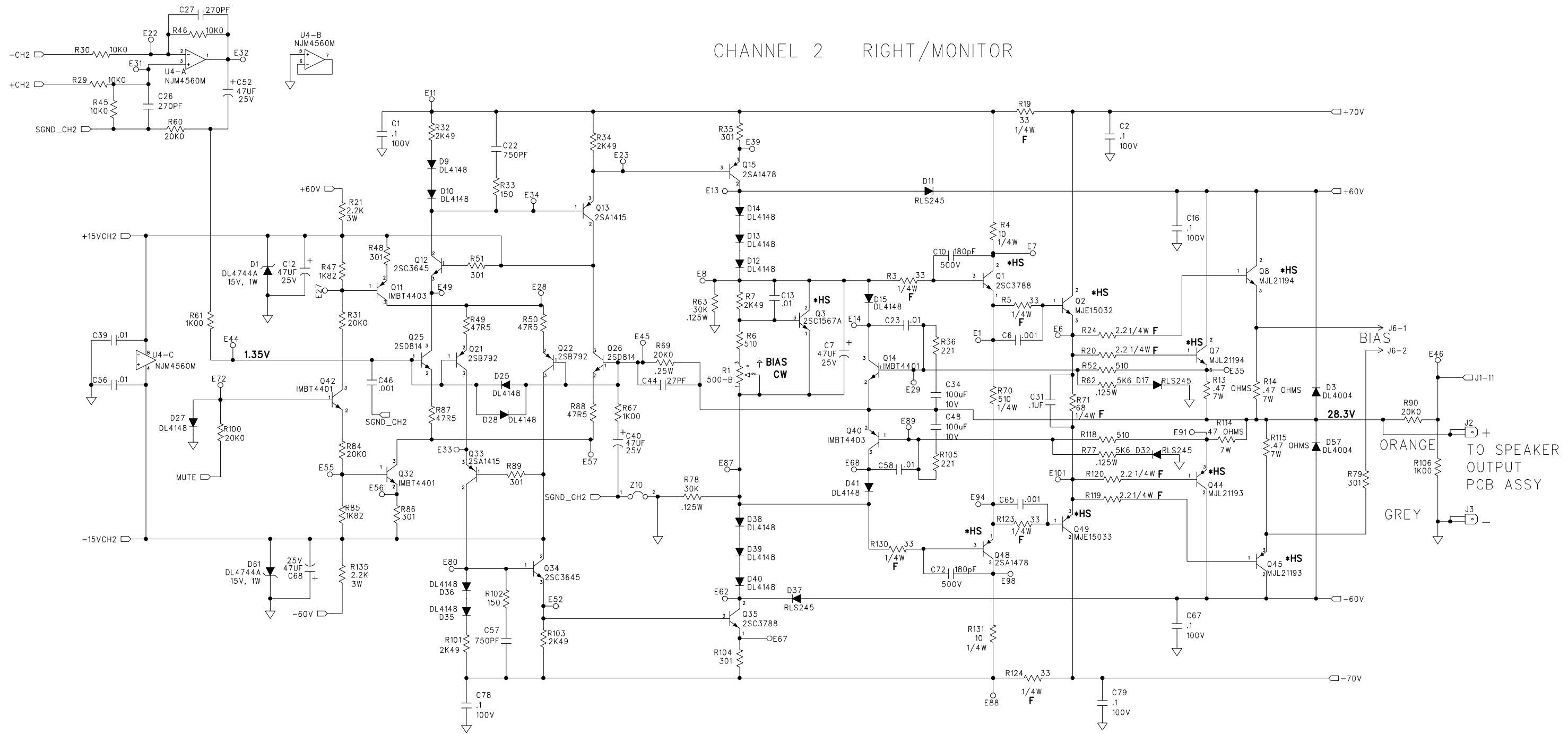
| | | |
|---|------------|--------|
| UNLESS OTHERWISE SPECIFIED DIMENSIONS ARE IN INCHES TOLERANCES ARE: FRACTIONS: DECIMALS: ANGLES: ±NA .XX ±.01 ±NA .XXX ±.005 | APPROVALS | DATE |
| | DRAWN: wgw | 7-1-98 |
| | CHECKED: | |
| | NP ENG: | |
| | MATERIAL: | |
| FINISH: | MFG: | |
| SEE NOTES | MFG ENG: | |
| DO NOT SCALE DRAWING | ISSUED: | |



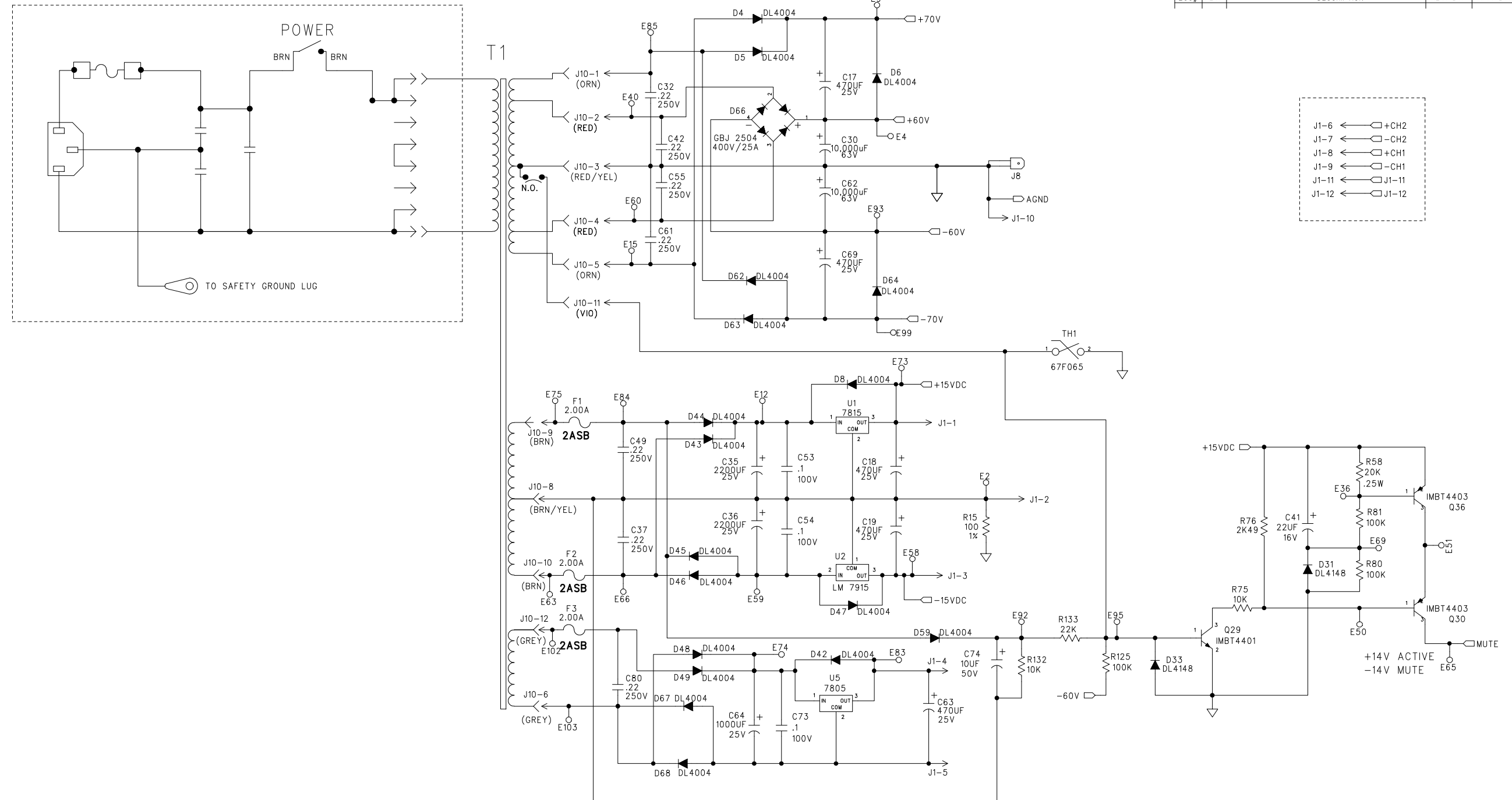
SCHEMATIC, POWER MIXER
400W AMP

| | | | |
|-----------|-------------|---------------------|--------|
| SIZE: D | SCALE: NONE | DWG. NO. 990-204-00 | REV. A |
| DWG FILE: | | SHEET 1 OF 3 | |

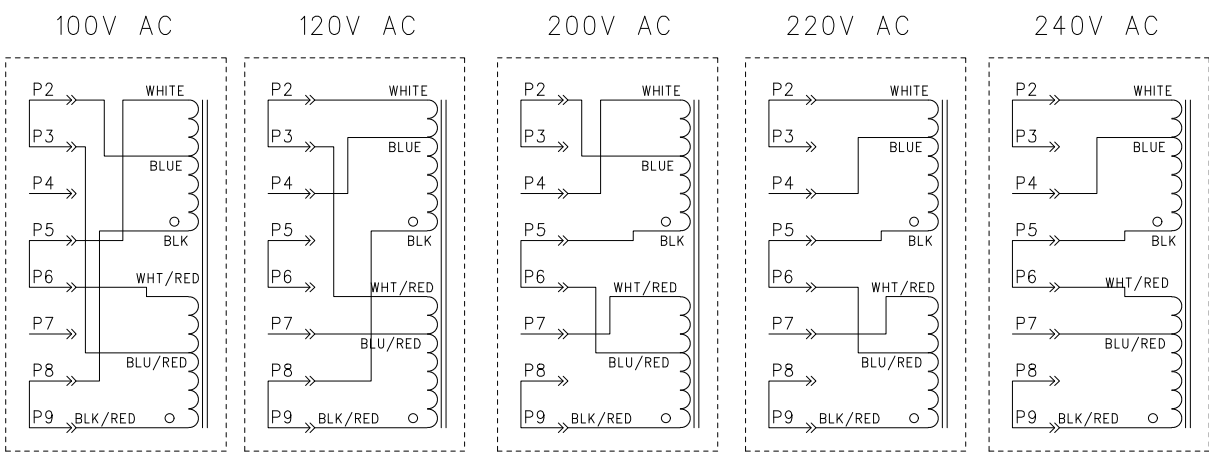
CHANNEL 2 RIGHT/MONITOR



| | | | | | | |
|---|------------|--------|--|-------------|---------------------|--------------|
| UNLESS OTHERWISE SPECIFIED DIMENSIONS ARE IN INCHES TOLERANCES ARE: FRACTIONS: DECIMALS: ANGLES: $\pm NA$.XX $\pm .01$ $\pm NA$.XXX $\pm .005$ | APPROVALS | DATE | Mackie Designs Inc. Woodinville, Wa. | | | |
| | DRAWN: wgw | 7-1-98 | | | | |
| | CHECKED: | | | | | |
| | NP ENG: | | | | | |
| MATERIAL: | | | SCHEMATIC, POWER MIXER 400W AMP | | | |
| SEE NOTES | | | | | | |
| FINISH: | | | SIZE: D | SCALE: NONE | DWG. NO. 990-204-00 | REV. A |
| DO NOT SCALE DRAWING | ISSUED: | | DWG FILE: | | | SHEET 2 OF 3 |



- J1-6 ← CH2
- J1-7 ← CH2
- J1-8 ← CH1
- J1-9 ← CH1
- J1-11 ← J1-11
- J1-12 ← J1-12



| | | | | | |
|---|------------|-----------|--|---------------------|--------------|
| UNLESS OTHERWISE SPECIFIED DIMENSIONS ARE IN INCHES TOLERANCES ARE: FRACTIONS: DECIMALS: ANGLES: ±NA .XX ±.01 ±NA .XXX ±.005 | APPROVALS | DATE | MACKIE. Mackie Designs Inc. Woodinville, Wa. | | |
| | DRAWN: wgw | 7-1-98 | | | |
| | CHECKED: | | | | |
| | NP ENG: | | | | |
| | MATERIAL: | | | | |
| MATERIAL: SEE NOTES | | | SCHEMATIC, POWER MIXER 400W AMP | | |
| FINISH: SEE NOTES | | | | | |
| DO NOT SCALE DRAWING | | | | | |
| ISSUED: | | | | | |
| | | | | | |
| | | SIZE: D | SCALE: NONE | DWG. NO. 990-204-00 | REV. A |
| | | DWG FILE: | | | SHEET 3 OF 3 |