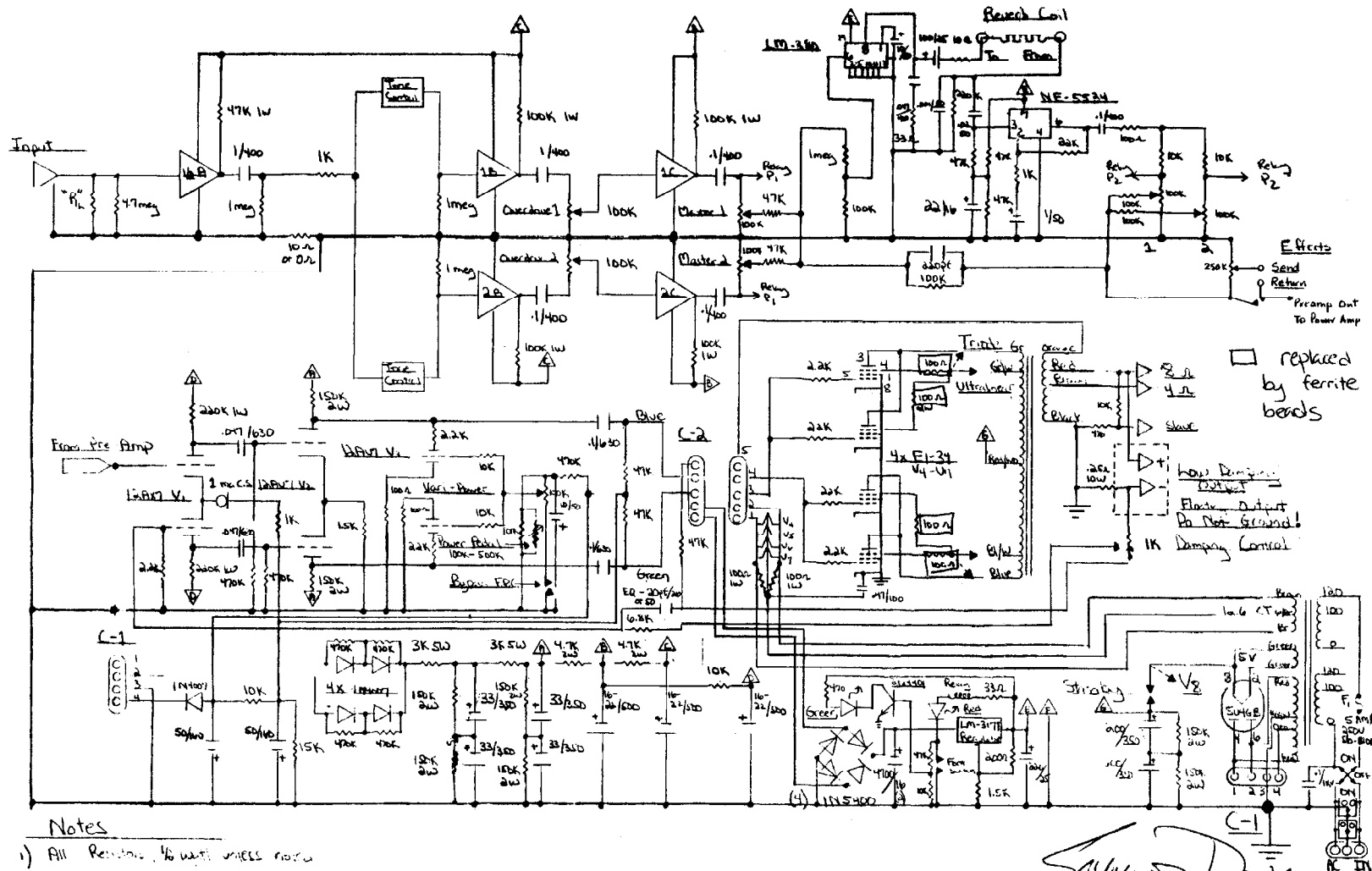


CONVERTIBLE

Seymour Duncan



□ replaced by ferrite beads

100W Dampers
Flux Output
Do Not Ground!
1K Damping Control

Notes

- 1) All Resistors 1/2 Watt unless noted

SEYMOUR DUNCAN

100W Convertible Schematic	
DATE: 2-8-84	REV: 001
DESIGNED BY: [Signature]	DRAWN BY: [Signature]