

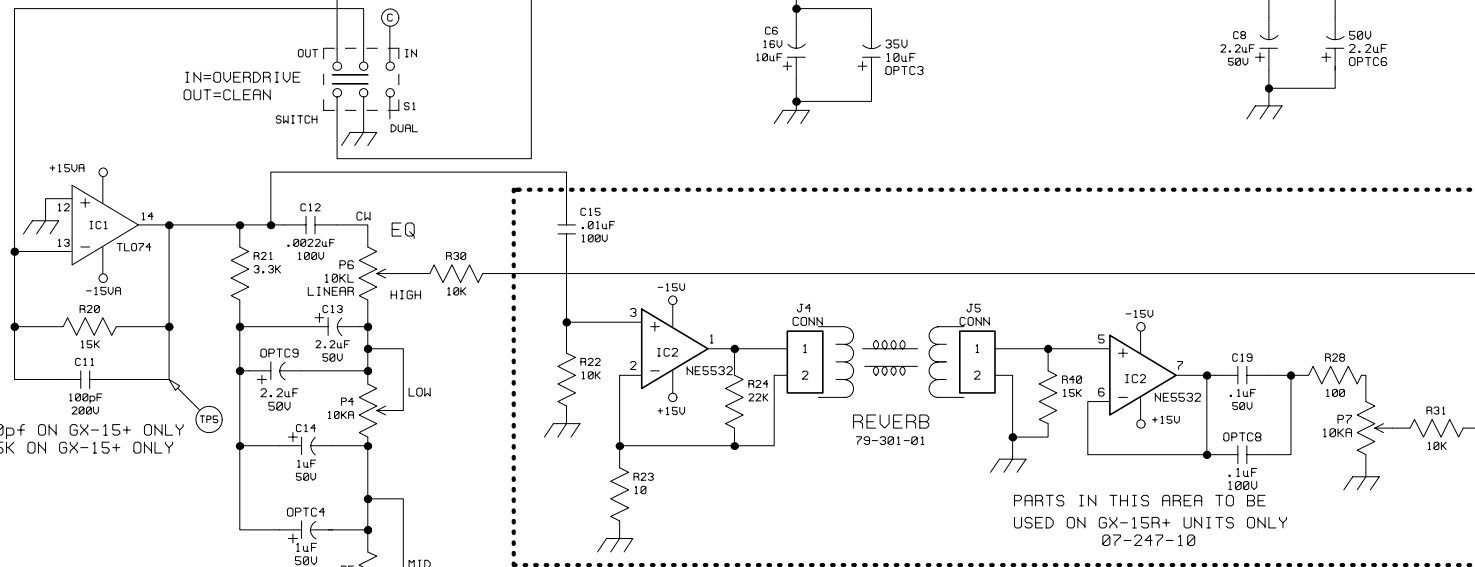
GX-15(R) TEST POINTS

SW1 IN (OVERDRIVE CHANNEL)  
INPUT SIGNAL 50mV P-P @ 1KHz  
GAIN & LEVEL @ "10"; EQ's @ "5"

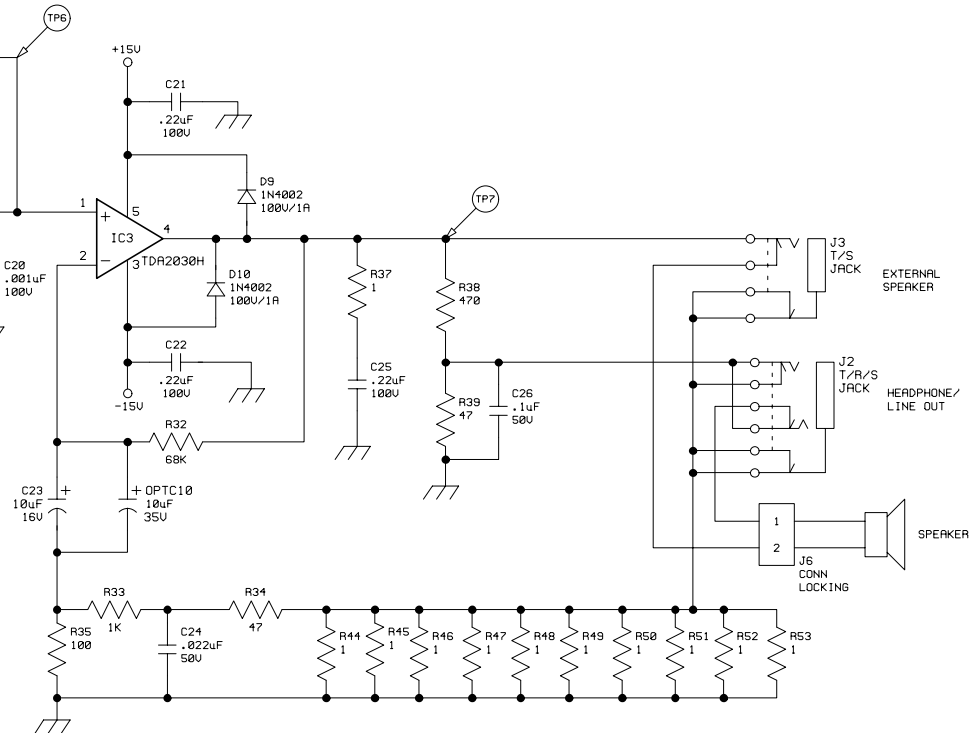
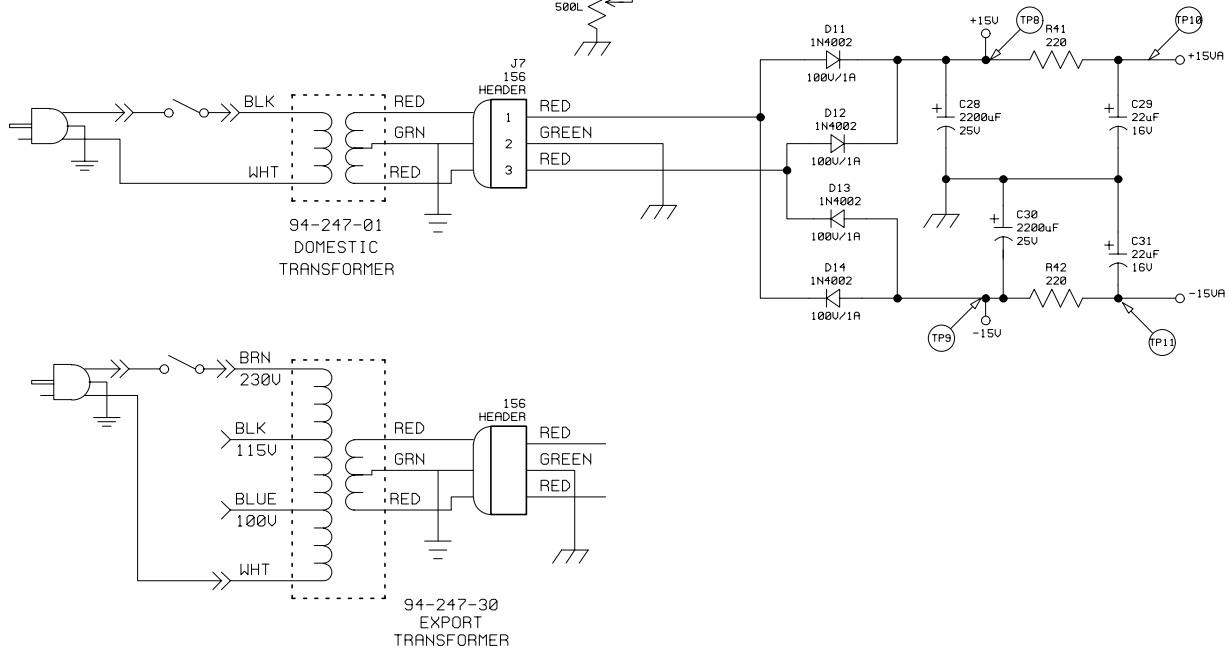
T.P.	AC VOLTAGE	DC VOLTAGE	WAVEFORM
1	50mV p-p	0VDC	
2	120mV p-p	.8mVDC	
3	6.5V p-p	1.3mVDC	
4	4.0V p-p	.8mVDC	
5	680mV p-p	1.0mVDC	
6	45mV p-p	2.1mVDC	
7	27V p-p	6.0mVDC	
8	170mV p-p ripple	14.8VDC	
9	170mV p-p ripple	-14.8VDC	
10	15mV p-p ripple	13.0VDC	
11	15mV p-p ripple	-13.0VDC	

SW1 OUT (CLEAN CHANNEL)  
INPUT SIGNAL 50mV P-P @ 1KHz  
VOLUME @ "10"; EQ's @ "5"

T.P.	AC VOLTAGE	DC VOLTAGE	WAVEFORM
1	50mV p-p	0VDC	
2	120mV p-p	.4mVDC	
3	8V p-p	1.3mVDC	
4	8V p-p	0VDC	
5	680mV p-p	2.0mVDC	
6	20mV p-p	2.1mVDC	
7	14V p-p	6.0mVDC	
8	170mV p-p ripple	14.8VDC	
9	170mV p-p ripple	-14.8VDC	
10	15mV p-p ripple	13.0VDC	
11	15mV p-p ripple	-13.0VDC	



PARTS IN THIS AREA TO BE USED ON GX-15R+ UNITS ONLY 07-247-10



4	11-23-98	RLB		UPDATE TO AGREE WITH PICTORIAL PER E980586
3	01/20/98	REM	DJR	NO_CHANGE_REV_TO_MATCH_PICT_PER_E970820.
2	1-17-96	RLB	TEK	REMOVE_OPTR1_PER_ECO_ECO_960485
1	-	-	-	-
REV	DATE	BY	CHK'D	DESCRIPTION
SIGNATURES:		DATE:		11800 BORMAN DR. ST. LOUIS, MISSOURI 63146
DRAWN:	RLB	7-26-96		
CHK'D:	DR	7-26-96		PROJECT NAME:
APP'D:	DR	7-26-96		GX-15+/15R+_GUITAR_AMP
ORIGINAL ISSUED:		7-26-96		DRAWING NAME:
				SCHMATIC
PLOT DATE:		2:00		DRAWING NO. 07S247-01/10
FILE NAME:		24701C4Z		REV. 42
SCALE: NONE				SHEET: 1_OF_1