

CALIBRATION PROCEDURES

1. Connect a 4 ohm load resistor capable of dissipating 250 watts to speaker output jack. Set Impedance Selector switch to 4 ohms.
2. Output stage bias current adjustment. a) Adjust VR1 for -27.2 volts between TP 1 and ground. b) Adjust VR2 for zero 4.21 volts between TP 1 and TP 2.
3. Phase inverter balance control adjustment. a) Remove distortion method. Drive amplifier to 20 volts RMS out at 40 Hz and correct distortion meter to load resistor. adjust VR3 for maximum distortion. b) Voltmeter method. Adjust output per step 2a and connect D meter between test points TP 1 and TP 2. adjust VR3 for zero voltage.

NOTES

- 1) THIS UNIT CONTAINS HAZARDOUS VOLTAGE. DISCONNECT FROM AC LINE BEFORE POWER SUPPLY IS DISCHARGED BEFORE YOU INTERNAL PARTS.
- 2) PLEASE NOTE: RESISTOR VALUES IN OHMS, 1/4W-OR TO CAPACITOR VALUES IN MICROFARADS, 50V-OR TO.
- 3) VOLTAGES ARE MEASURED WITH 1 MEGOHM OSCILLOSCOPE AND IN RESUME INITIAL VOLTAGE. VOLTS IN RECTANGLES ARE RMS SIGNAL VOLTAGES WITH 0.2V 50K OHM. OTHER VOLTAGES ARE DC WITH NO SIGNAL.

CAUTION:

THIS SCHEMATIC IS PROVIDED FOR USE BY QUALIFIED PERSONNEL TO AVOID RISK OF ELECTRIC SHOCK, REFER TO THE QUALIFIED PERSONNEL. DO NOT PERFORM ANY REPAIRS OR SERVICE THAT IS EXPLAINED IN THE OPERATING INSTRUCTIONS.

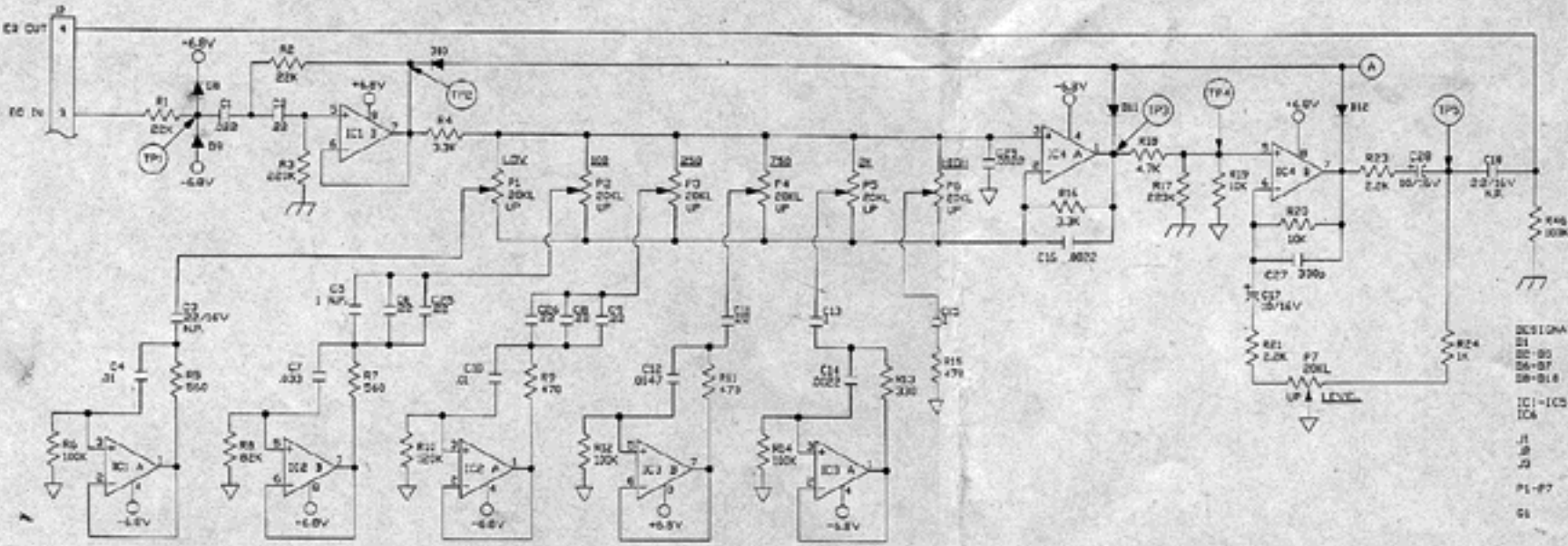
PARTIAL PARTS LIST #07-410-01

DESIGNATION	DESCRIPTION	SLM PART #
1A	12A7T	10-127-01
1B	12A7T	05-116-01
1C	6BE6	05-630-01
P1-P2	50K	10-502-00
P4	100 W	10-101-02
V-1	1/4" JACK	20-118-01
V-2	SLM MOUNT	20-200-01
V-3	1/4" JACK	20-118-01
V-4	1/4" JACK	20-403-01
V-5	3 PIN HDR	17-211-01
V-6	4 PIN HDR	17-211-01
V-7	2 PIN HDR	17-211-01
V-8	3 PIN HDR	17-211-01
V-9	5 PIN HDR	17-211-01
V-10	5 PIN HDR	17-211-01
V-11	5 PIN HDR	17-211-01
V-12	5 PIN HDR	17-211-01
V-13	5 PIN HDR	17-211-01
V-14	5 PIN HDR	17-211-01
V-15	5 PIN HDR	17-211-01
V-16	5 PIN HDR	17-211-01
V-17	5 PIN HDR	17-211-01
V-18	5 PIN HDR	17-211-01
V-19	5 PIN HDR	17-211-01
V-20	5 PIN HDR	17-211-01
V-21	5 PIN HDR	17-211-01
V-22	5 PIN HDR	17-211-01
V-23	5 PIN HDR	17-211-01
V-24	5 PIN HDR	17-211-01
V-25	5 PIN HDR	17-211-01
V-26	5 PIN HDR	17-211-01
V-27	5 PIN HDR	17-211-01
V-28	5 PIN HDR	17-211-01
V-29	5 PIN HDR	17-211-01
V-30	5 PIN HDR	17-211-01
V-31	5 PIN HDR	17-211-01
V-32	5 PIN HDR	17-211-01
V-33	5 PIN HDR	17-211-01
V-34	5 PIN HDR	17-211-01
V-35	5 PIN HDR	17-211-01
V-36	5 PIN HDR	17-211-01
V-37	5 PIN HDR	17-211-01
V-38	5 PIN HDR	17-211-01
V-39	5 PIN HDR	17-211-01
V-40	5 PIN HDR	17-211-01
V-41	5 PIN HDR	17-211-01
V-42	5 PIN HDR	17-211-01
V-43	5 PIN HDR	17-211-01
V-44	5 PIN HDR	17-211-01
V-45	5 PIN HDR	17-211-01
V-46	5 PIN HDR	17-211-01
V-47	5 PIN HDR	17-211-01
V-48	5 PIN HDR	17-211-01
V-49	5 PIN HDR	17-211-01
V-50	5 PIN HDR	17-211-01
V-51	5 PIN HDR	17-211-01
V-52	5 PIN HDR	17-211-01
V-53	5 PIN HDR	17-211-01
V-54	5 PIN HDR	17-211-01
V-55	5 PIN HDR	17-211-01
V-56	5 PIN HDR	17-211-01
V-57	5 PIN HDR	17-211-01
V-58	5 PIN HDR	17-211-01
V-59	5 PIN HDR	17-211-01
V-60	5 PIN HDR	17-211-01
V-61	5 PIN HDR	17-211-01
V-62	5 PIN HDR	17-211-01
V-63	5 PIN HDR	17-211-01
V-64	5 PIN HDR	17-211-01
V-65	5 PIN HDR	17-211-01
V-66	5 PIN HDR	17-211-01
V-67	5 PIN HDR	17-211-01
V-68	5 PIN HDR	17-211-01
V-69	5 PIN HDR	17-211-01
V-70	5 PIN HDR	17-211-01
V-71	5 PIN HDR	17-211-01
V-72	5 PIN HDR	17-211-01
V-73	5 PIN HDR	17-211-01
V-74	5 PIN HDR	17-211-01
V-75	5 PIN HDR	17-211-01
V-76	5 PIN HDR	17-211-01
V-77	5 PIN HDR	17-211-01
V-78	5 PIN HDR	17-211-01
V-79	5 PIN HDR	17-211-01
V-80	5 PIN HDR	17-211-01
V-81	5 PIN HDR	17-211-01
V-82	5 PIN HDR	17-211-01
V-83	5 PIN HDR	17-211-01
V-84	5 PIN HDR	17-211-01
V-85	5 PIN HDR	17-211-01
V-86	5 PIN HDR	17-211-01
V-87	5 PIN HDR	17-211-01
V-88	5 PIN HDR	17-211-01
V-89	5 PIN HDR	17-211-01
V-90	5 PIN HDR	17-211-01
V-91	5 PIN HDR	17-211-01
V-92	5 PIN HDR	17-211-01
V-93	5 PIN HDR	17-211-01
V-94	5 PIN HDR	17-211-01
V-95	5 PIN HDR	17-211-01
V-96	5 PIN HDR	17-211-01
V-97	5 PIN HDR	17-211-01
V-98	5 PIN HDR	17-211-01
V-99	5 PIN HDR	17-211-01
V-100	5 PIN HDR	17-211-01

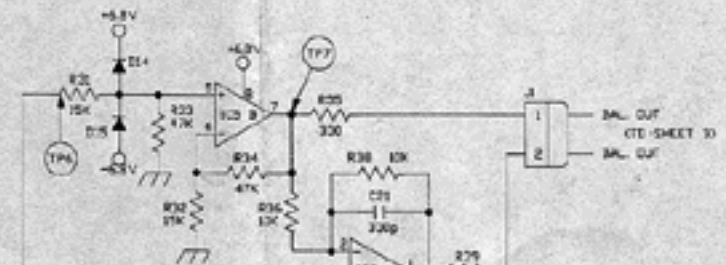
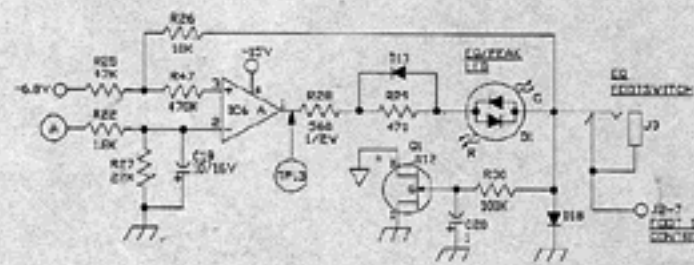
ORIG. DAN-7/24/89	APPV
VERS. DRAWN BY	CHECKED BY
PAGE # 3 OF 3	DRAWING # 16-4

DESCRIPTION: SVT-II PWR-AMP SC

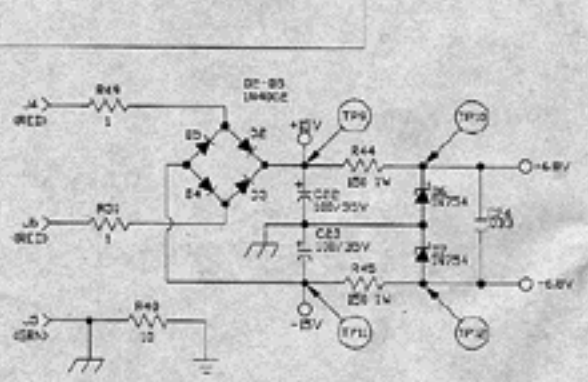
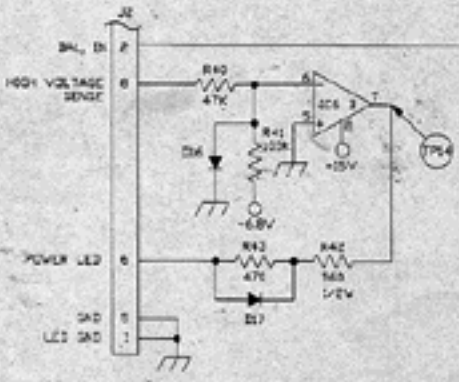
SLM ELECTRONICS
 11880 BORMAN DR.
 ST. LOUIS, MO 63146



DESIGNATOR	DESCRIPTION	SLM PART #
R1	LED, RED-GREEN	21-590-01
R2-R5	1W402	21A402-01
R6-R7	1W754	21A754-01
R8-R18	1W5-4	21A714-01
IC1-IC5	IC4558	37-458-01
IC6	NE5532	37-532-01
J1	2 PIN HEADER	17-211-02
J2	8 PIN HEADER	17-511-08
J3	1/4" JACK	99-112-01
F1-F7	20K POT	75-200-01
S1	1112	96-112-01



- NOTES**
- THIS UNIT CONTAINS HIGH VOLTAGE. DISCONNECT POWER AND BE SURE POWER SUPPLY IS DISCHARGED BEFORE TOUCHING INTERNAL PARTS.
 - UNLESS NOTED, RESISTOR VALUES IN OHMS, 1/4W-5% TOL. CAPACITOR VALUES IN MICROFARADS, DIV-100 TOL.
 - VOLTAGES ARE MEASURED WITH 1 MEGOHM OSCILLOSCOPE AND 10 MEGOHM DIGITAL VOLTMETER.
 - CIRCUIT GROUND \perp SWITCHES GROUND \oplus CHASSIS GROUND \ominus



TEST POINTS	VOLTAGE V p-p	VOLTAGE VDC
1	1.5	0
2	1.5	0
3	1.5	0
4	.5 EQ OFF	0
	.20 EQ ON	0
5	1.5	0
6	1.5	0
7	1.5	0
8	1.5	0
9	---	+1.5
10	---	+6.0
11	---	-1.5
12	---	-6.0
13	---	-1.4
14	W/ 3 @ TP1	+1.4
	---	1.4 (20)
	---	+1.4 (100MHz)

CONNECTIONS
 VOLTAGES ARE MEASURED WITH
 1. 1 MEG OHM OSCILLOSCOPE
 2. 10 MEG OHM DIGITAL V.M.
 3. 1/4" JACK
 4. 1/4" JACK
 5. 1/4" JACK
 6. 1/4" JACK
 7. 1/4" JACK
 8. 1/4" JACK
 9. 1/4" JACK
 10. 1/4" JACK
 11. 1/4" JACK
 12. 1/4" JACK
 13. 1/4" JACK
 14. 1/4" JACK

ORG. MOA 7/19/89	gm	gm
VERS. DRAWN BY	CHECKED BY	APPROVED BY
PAGE # 2 OF 3	DRAWING # 16-414-01	
DESCRIPTION: SVT-II GRAPHIC EQ		

SLM ELECTRONICS
 11800 BORMAN DR.
 ST. LOUIS, MO 63146