

- NOTES:**
- All resistors 1/4w unless stated.
 - PCA: 2W/50C chassis
 - Power amp diagram:
6000 2W
6002 2W
 - All chip-lead caps are 50V unless unless stated
C: Ceramic disc
D: 50V Radial
 - All capacitors 500uF.
 - All unmarked diodes are 1N4148.
 - IC supplies:
All ICs but TL072, pin 6: +5V
TL072, pin 7: -5V
All ICs, pin 4: -25V
 - TL072 switching IC pins:

1: GND not fitted.
2: V1.2.3: 500uF.

7	22-11-88	SH
6	1-11-88	SH
5	2-7-88	CPV
4	11-4-88	CPV
Iss. Date		Drn.

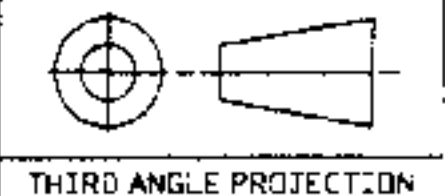
Buy. Number: C0189

**JCM800 Series
DUAL REVERB Preamp
Circuit Diagram
ALL COUNTRIES**

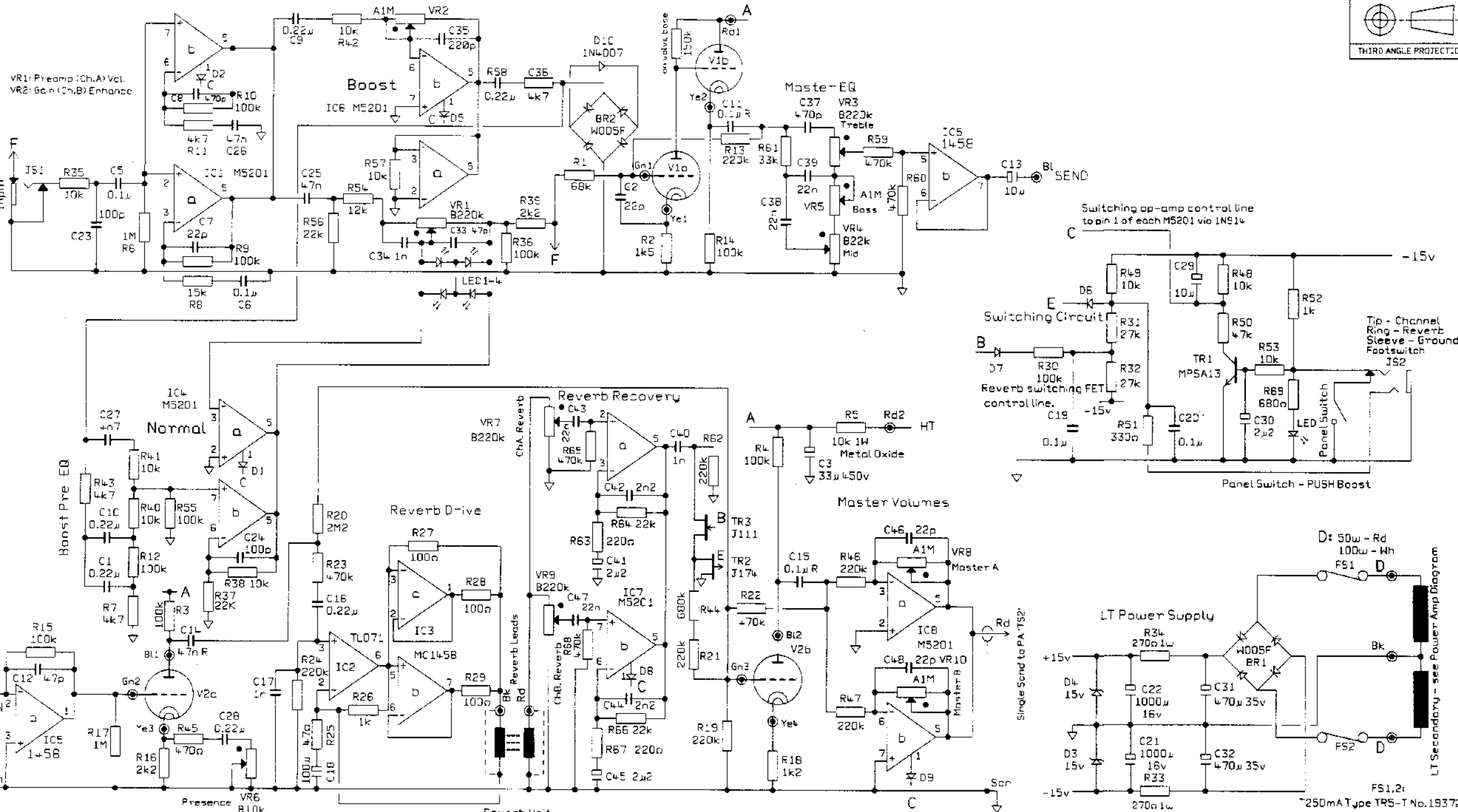
Marshall

Jim Marshall
(Products) Ltd.
SLETCLEY
MILTON KEYNES
ENGLAND

File: 0000-000

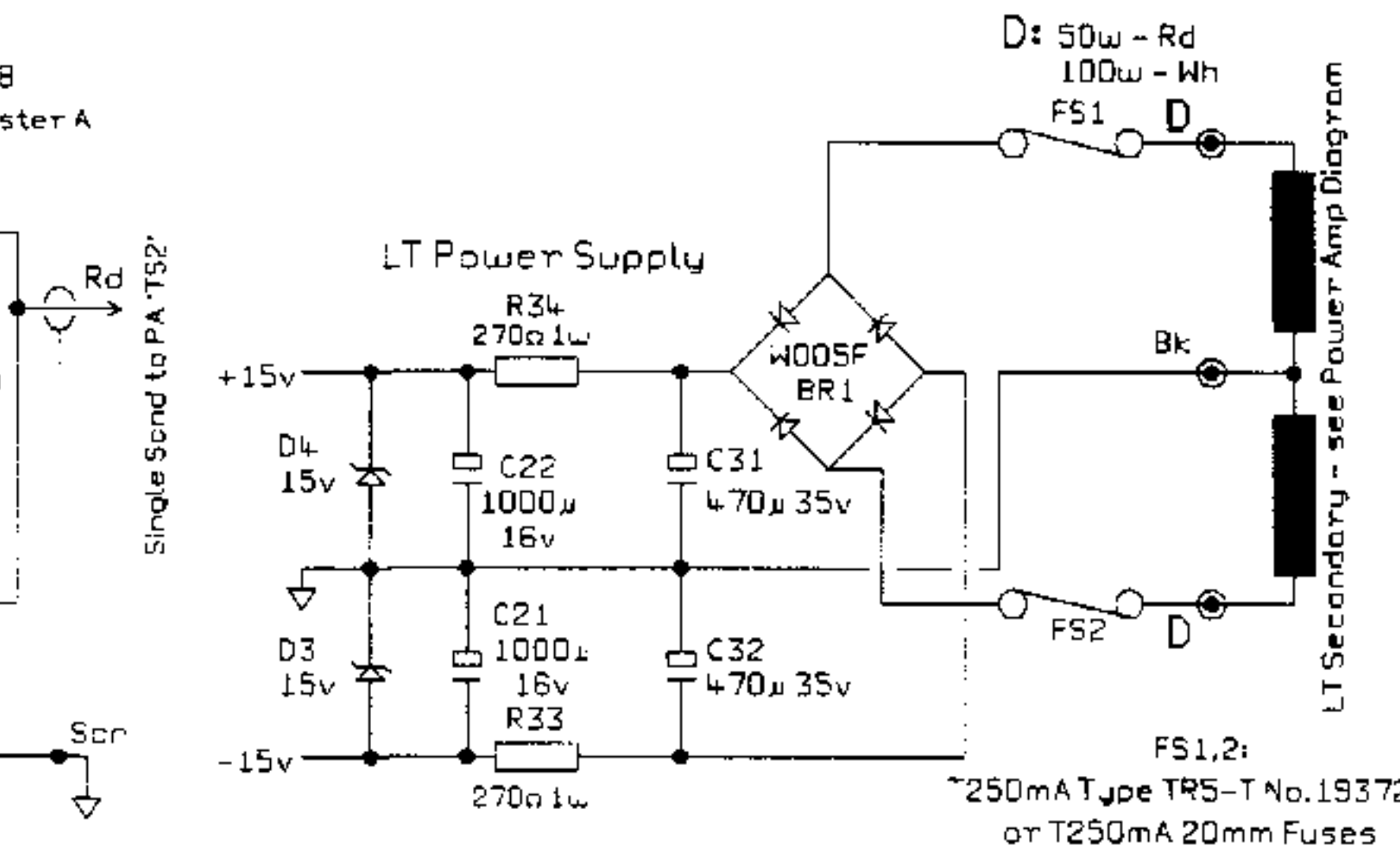
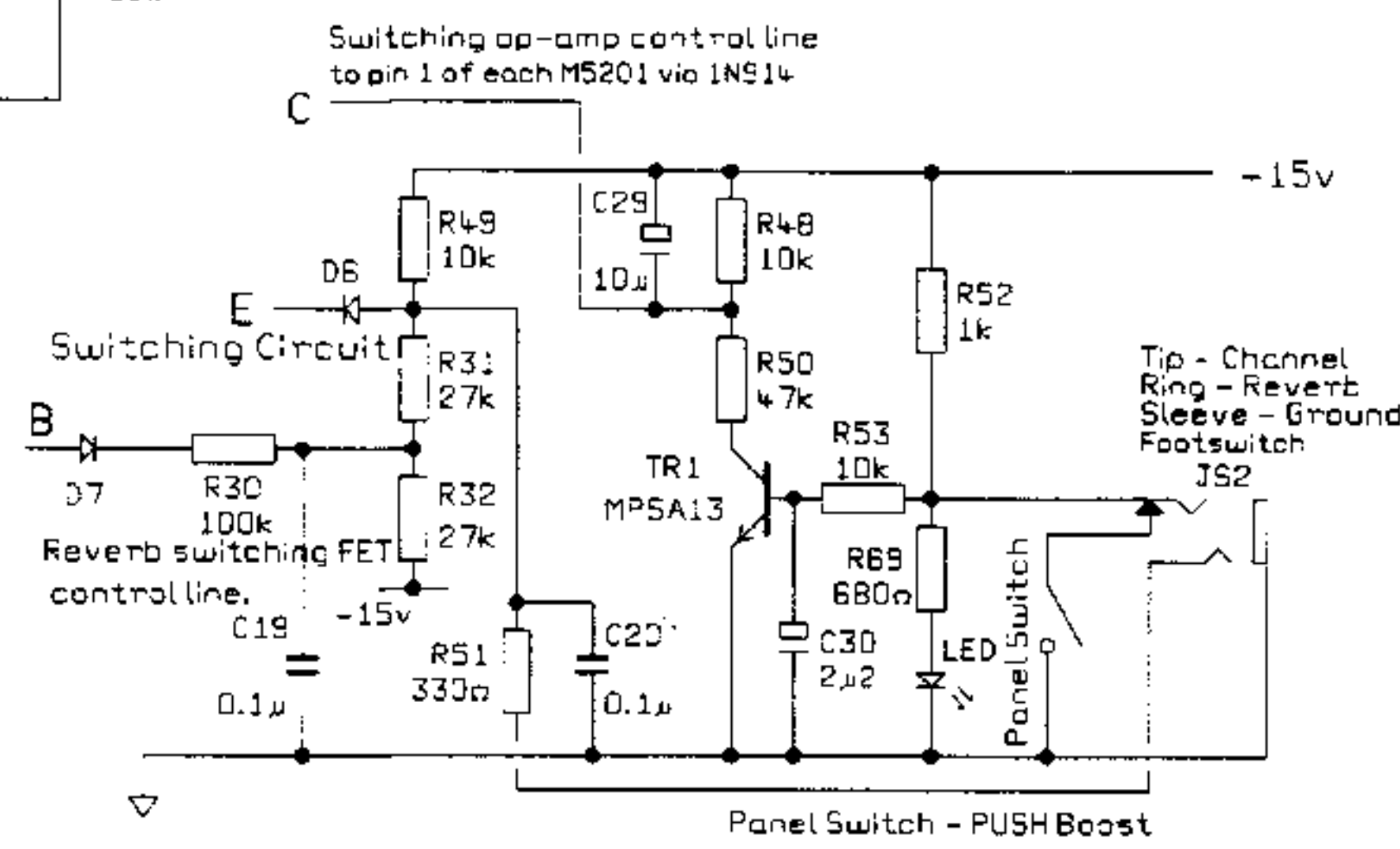


DWG.No: JMP52-02



NOTES:
 1. All resistors 1/4w unless stated.
 2. All non-elect. caps are 50v axial unless marked:
 D: Ceramic disk } High voltage
 R: MKT Radial }

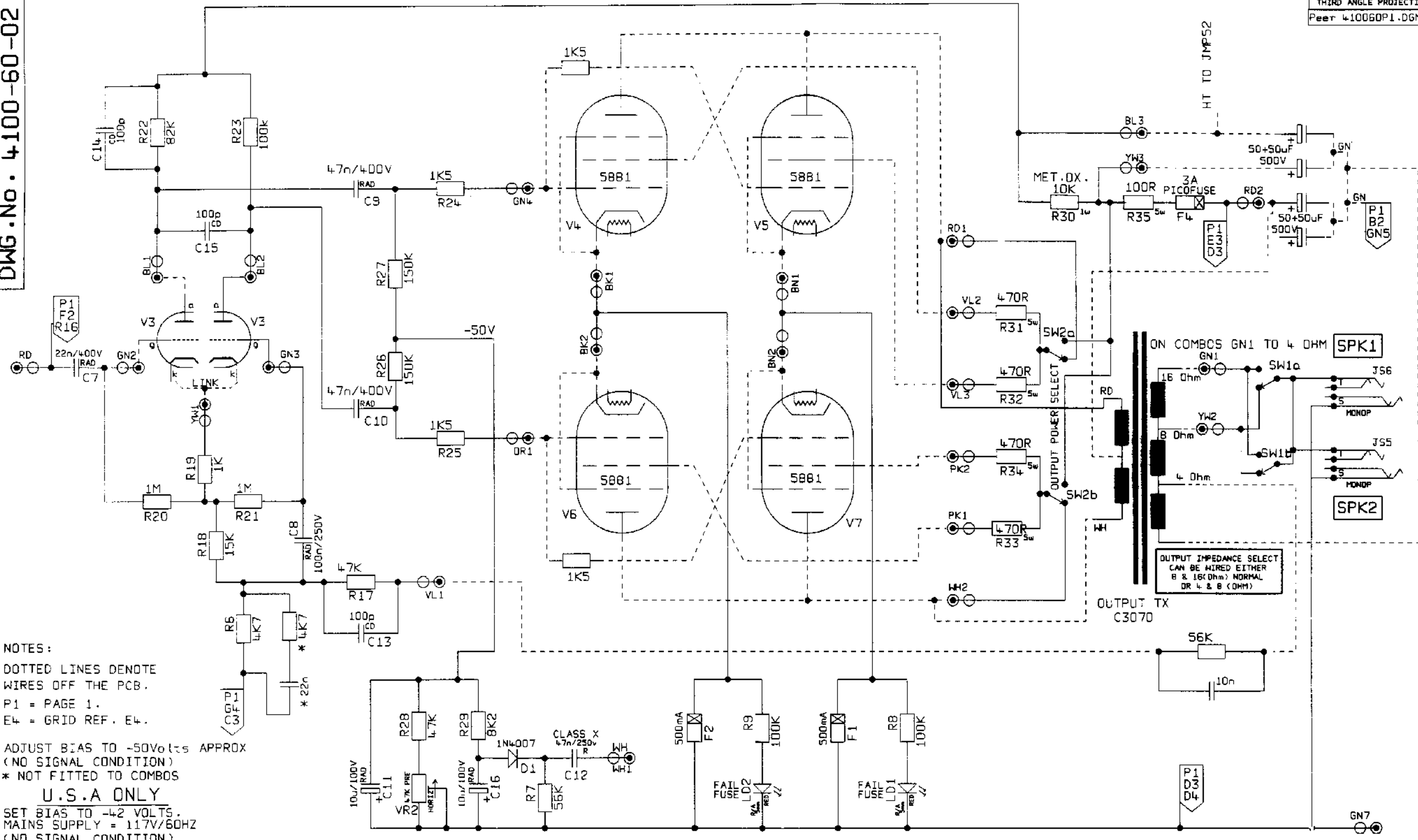
- 3. All zeners 500mW.
- 4. All unmarked diodes are 1N914.
- 5. IC supplies:
 All ICs but TL071, pin 8: +15v
 TL071, pin 7: +15v
 All ICs, pin 4: -15v
- 6. M5201 switching IC pins:
 Ctrn 1
 B -ve
 +
 -
 -ve
 Dut
- 7. V1,2,3: ECC83.



10	0596	14-4-94	UNSPECIFIED HOLE DATA			MATERIAL	DIMENSIONS IN	TITLE
9	0455	24/02/94	A	H	MATERIAL THICKNESS	TOLERANCE (UNLESS OTHERWISE STATED):	<p>PRE-AMP CCT</p>	
8	0306	28/7/93	B	J	INTERNAL BEND RADIUS	DIMENSIONAL		
7	0349	A.G.	C	K	EXTERNAL B/A	CENTRES		
6	18-9-90	SKB	D	L	BEND D/E	ANGULAR		
5	2-7-90	CPV	E	M	DRAWN CJRH DATE 28/7/93	MODEL		
4	11-4-90	CPV	F	N	CHECKED DATE	4100/4500	DWG.No	
ISS	ECO NUMBER	DATE	G	P	APPROVED DATE		JMP52-02	
								ISSUE
								10

Marshall
 COPYRIGHT EXISTS ON THIS DOCUMENT. IT MUST NOT BE USED FOR ANY PURPOSE THAN THAT FOR WHICH IT IS SUPPLIED AND MUST NOT BE COPIED, IN WHOLE OR IN PART, WITHOUT WRITTEN PERMISSION FROM
 MARSHALL AMPLIFICATION PLC
 DENBIGH ROAD, BLETCHLEY, MILTON KEYNES, MK1 1DG
 TEL: (0298) 375611 FAX: (0298) 375110

DWG.No. 4100-60-02



NOTES:
 DOTTED LINES DENOTE WIRES OFF THE PCB.
 P1 = PAGE 1.
 E4 = GRID REF. E4.
 ADJUST BIAS TO -50Volts APPROX (NO SIGNAL CONDITION)
 * NOT FITTED TO COMBOS
U.S.A ONLY
 SET BIAS TO -42 VOLTS.
 MAINS SUPPLY = 117V/60HZ (NO SIGNAL CONDITION)

ISS	ECD NUMBER	DATE	A	B	C	D	E	F	G
11	0715	22/09/94							
10	0685	26/08/94							
9	0683	25-07-94							
8	0492	14-1-94							
7	0490	14-12-93							

UNSPECIFIED HOLE DATA	
A	H
B	J
C	K
D	L
E	M
F	N
G	P

MATERIAL	
MATERIAL THICKNESS	
INTERNAL BEND RADIUS	
EXTERNAL R/A	
BEND DIE	

DIMENSIONS IN	
TOLERANCE (UNLESS OTHERWISE STATED)	
DIMENSIONAL	
CENTRES	
ANGULAR	
MODEL	

DRAWN	CJRH	DATE	27/7/93
CHECKED	KSmith	DATE	3-10-94
APPROVED		DATE	

Marshall

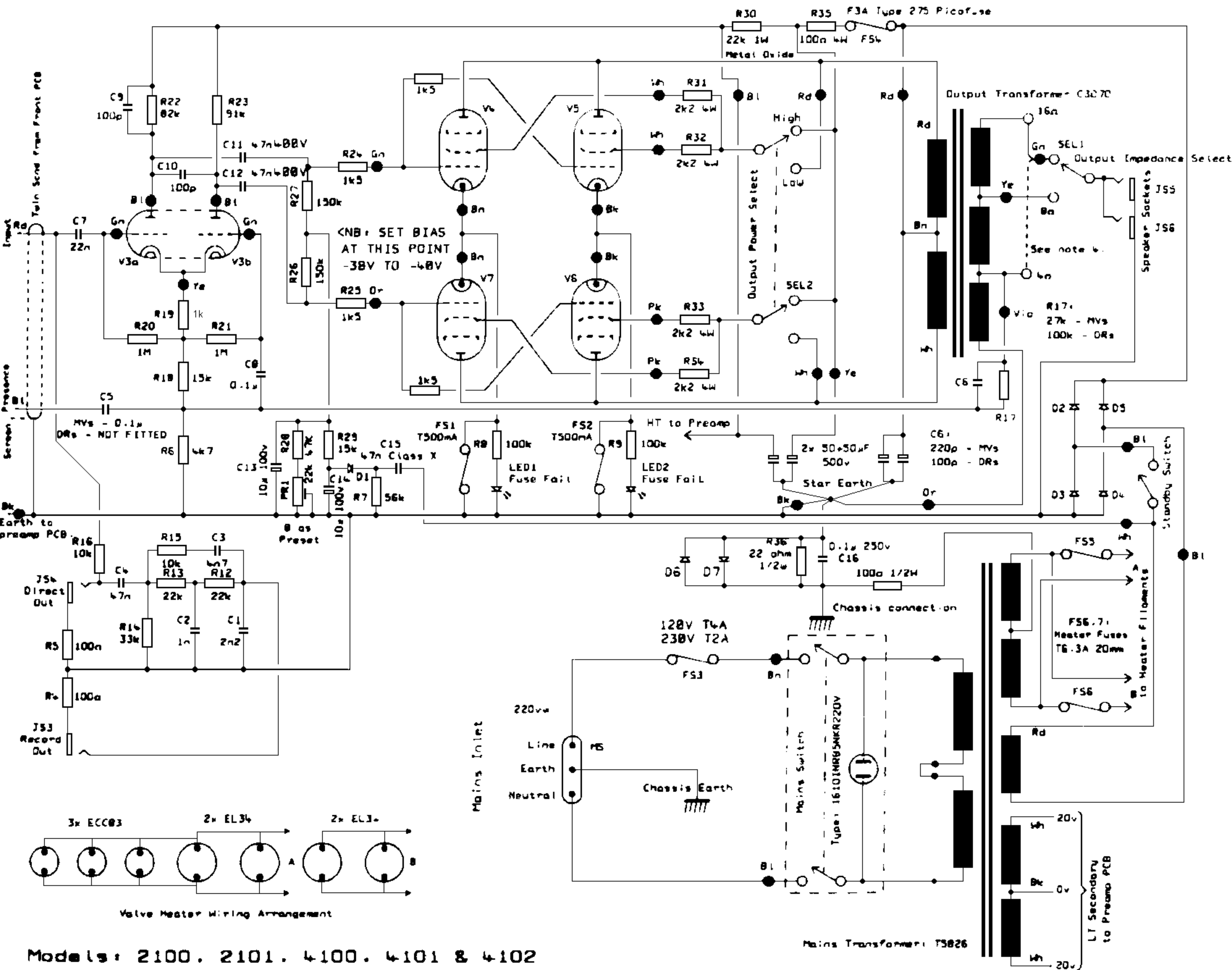
4100

COPYRIGHT EXISTS ON THIS DOCUMENT. IT MUST NOT BE USED FOR ANY PURPOSE THAN THAT FOR WHICH IT IS SUPPLIED AND MUST NOT BE REPRODUCED OR IN PART WITHOUT WRITTEN PERMISSION FROM
 © MARSHALL AMPLIFICATION PLC
 DEMBISH ROAD, BLETCHELEY, MILTON KEYNES, MK1 1DQ.
 TEL (0908) 754111 FAX (0908) 754118

TITLE	
POWER AMP CCT	
2 OF 2	
DWG.No	4100-60-02
ISSUE	11

NOTES:

1. D1-5: 1N4007
2. PCB: JMP500 boards
3. Effects loop components shown on preamp cct. diag.
4. Output impedance select can be wired for either 8 & 16 Ω (normal) or 4 & 8 Ω .
5. V3: ECC83
V4-7: EL34
6. Undesignated components are off-PCB components.
7. All resistors are 1/4w unless stated otherwise.



Iss. 7: JMP500 PCB

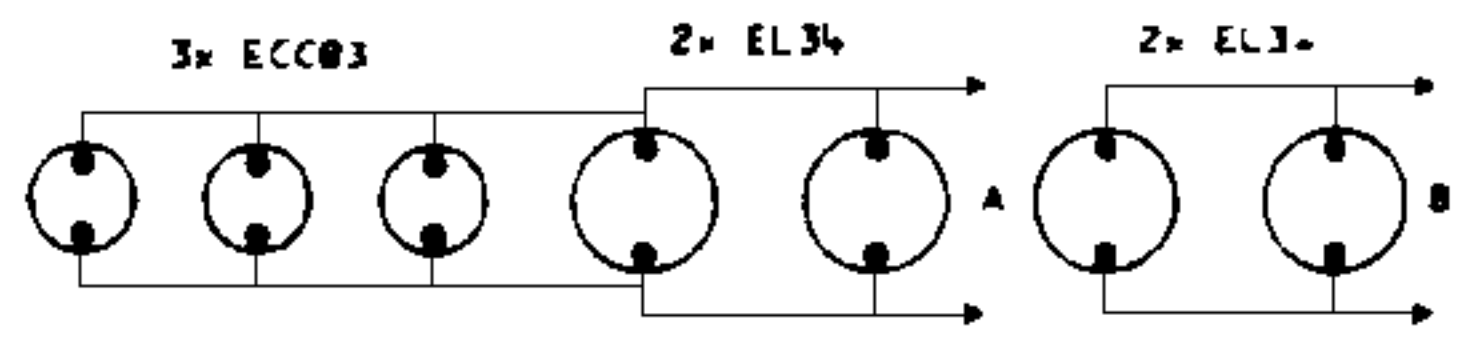
ID	ECO #/Rev	CDR
10	ECC 0147 10/03/92	CJR
9	ECC 0126 12/12/91	CJR
8	19-9-90	SKB
7	4-9-90	CPV
6	16-5-90	CPV
5	9-3-90	CPV
Iss.	Date	Drn.

Dwg. Number: C00192

JCM900 Series
100w Power Amp
Circuit Diagram
SEMKO AND CSA

Marshall

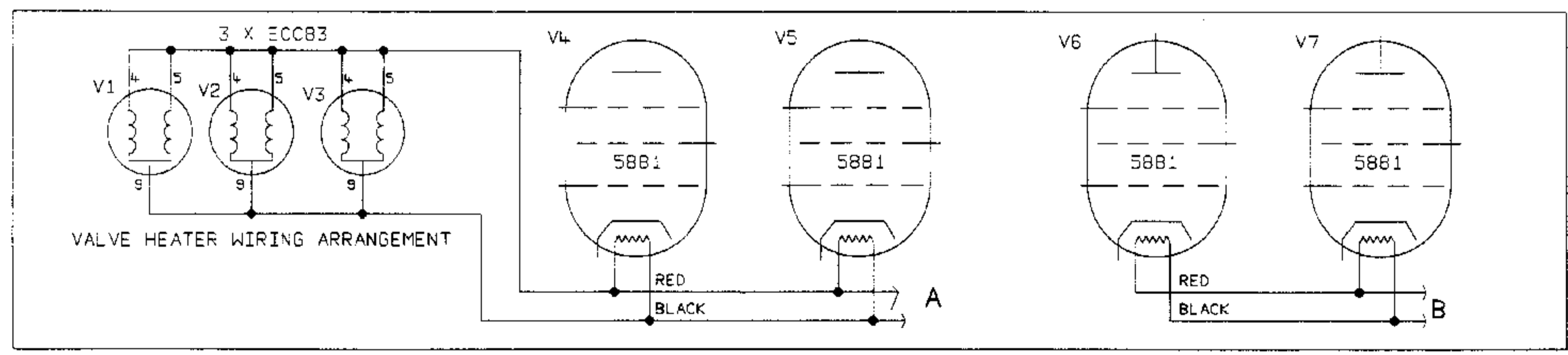
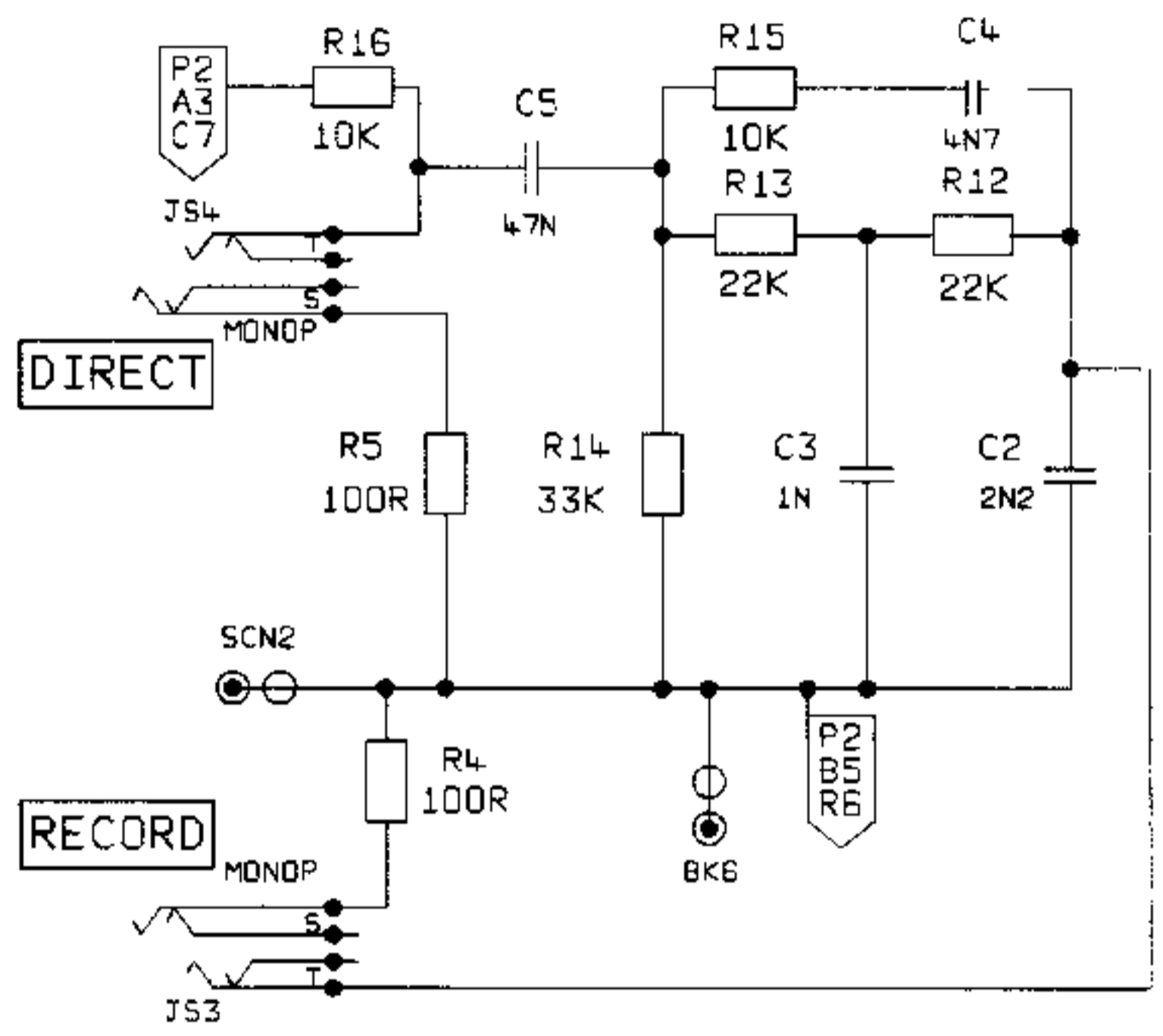
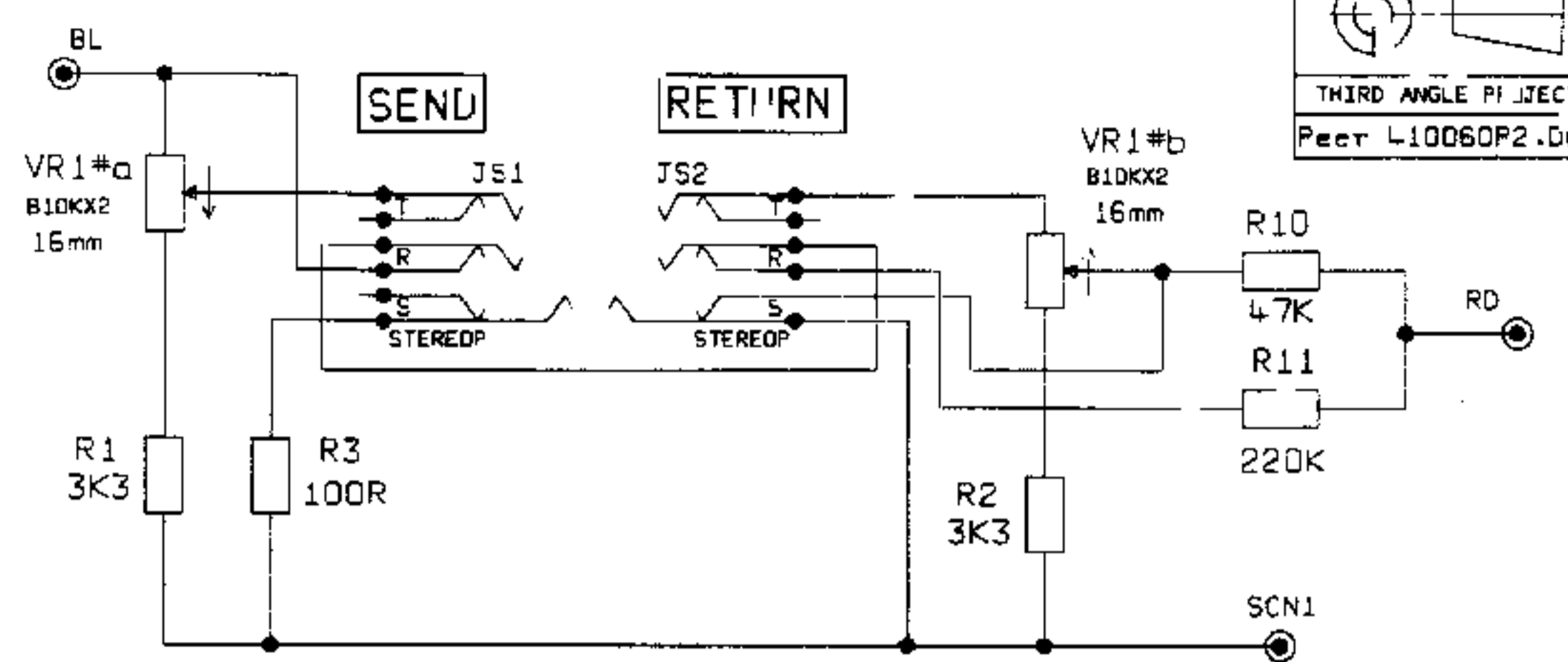
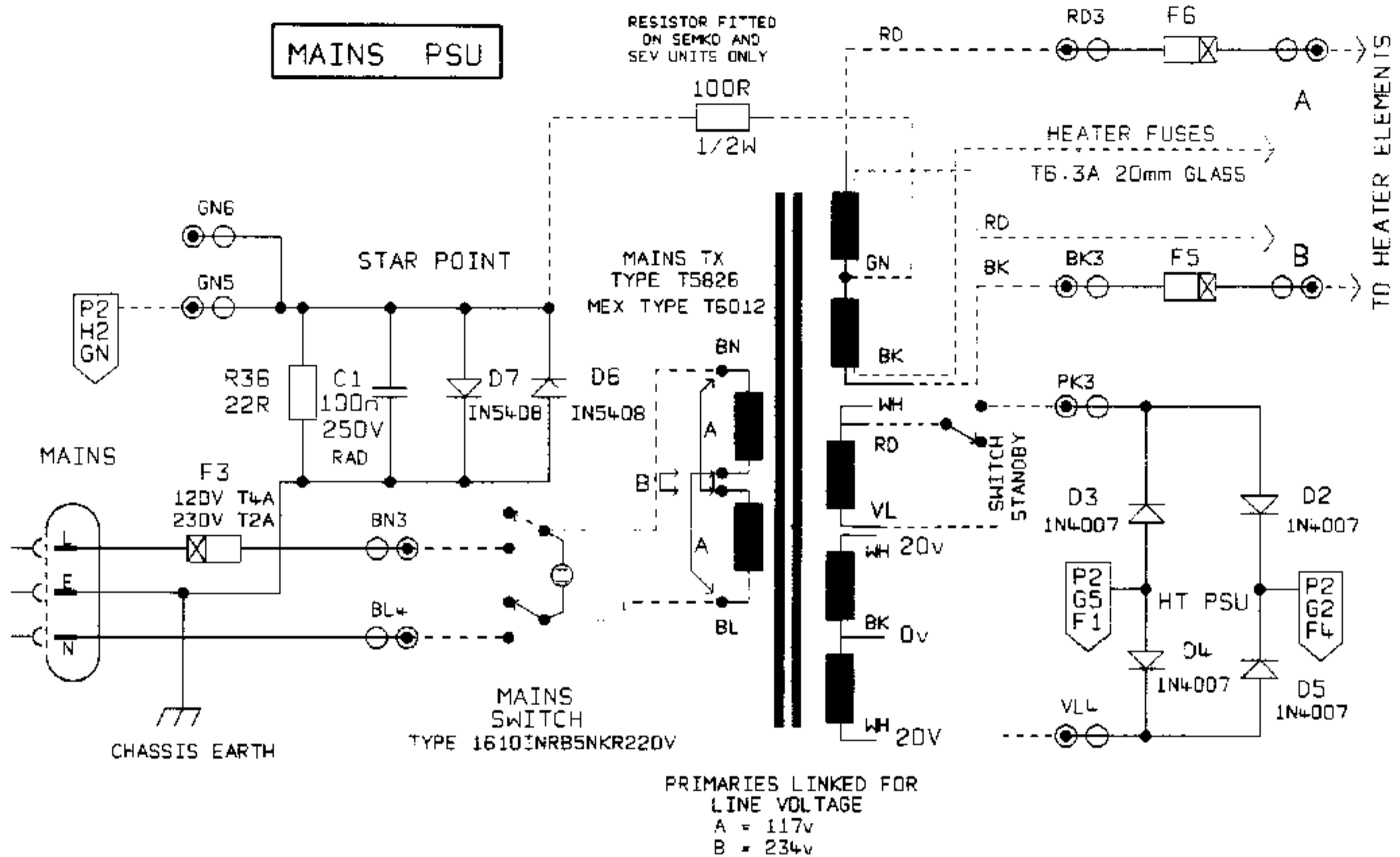
Jim Marshall
(Products) Ltd.
BLETCHLEY
MILTON KEYNES
ENGLAND
File: JMP5002.DGM



Valve Heater Wiring Arrangement

Models: 2100, 2101, 4100, 4101 & 4102





NOTES:
 DOTTED LINES DENOTE WIRES OFF THE PCB.
 P2 = PAGE 2.
 EL = GRID REF. E4.

ISS	ECO NUMBER	DATE	A	B	C	D	E	F	G
11	0715	22/09/94							
10	0685	24/08/94							
9	0624	17/5/94							
8	0492	14-1-94							
7	0490	14-12-93							

UNSPECIFIED HOLE DATA	
A	H
B	J
C	K
D	L
E	M
F	N
G	P

MATERIAL	
MATERIAL THICKNESS	
INTERNAL BEND RADIUS	
EXTERNAL B/A	
BEND DIE	
DRAWN CJRH	DATE 27/7/93
CHECKED K Smith	DATE 2-10-94
APPROVED	DATE

DIMENSIONS IN	
TOLERANCE (UNLESS OTHERWISE STATED)	
DIMENSIONAL	
CENTRES	
ANGULAR	
MODEL	

4100

Marshall

COPYRIGHT EXISTS ON THIS DOCUMENT. IT MUST NOT BE USED FOR ANY PURPOSE THAN THAT FOR WHICH IT IS SUPPLIED AND MUST NOT BE REPRODUCED OR IN PART) WITHOUT WRITTEN PERMISSION FROM

© MARSHALL AMPLIFICATION PLC
 DENBIGH ROAD, BLETCHLEY, MILTON KEYNES, MK1 1QQ.
 TEL (0290) 375411 FAX (0290) 375116

TITLE	
POWER AMP CCT	
DWG. No	ISSUE
4100-60-02	11