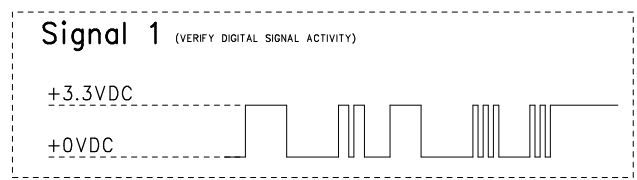
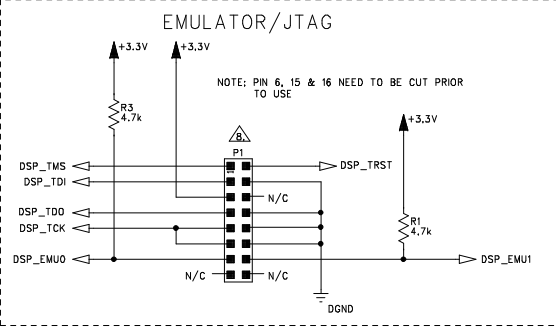
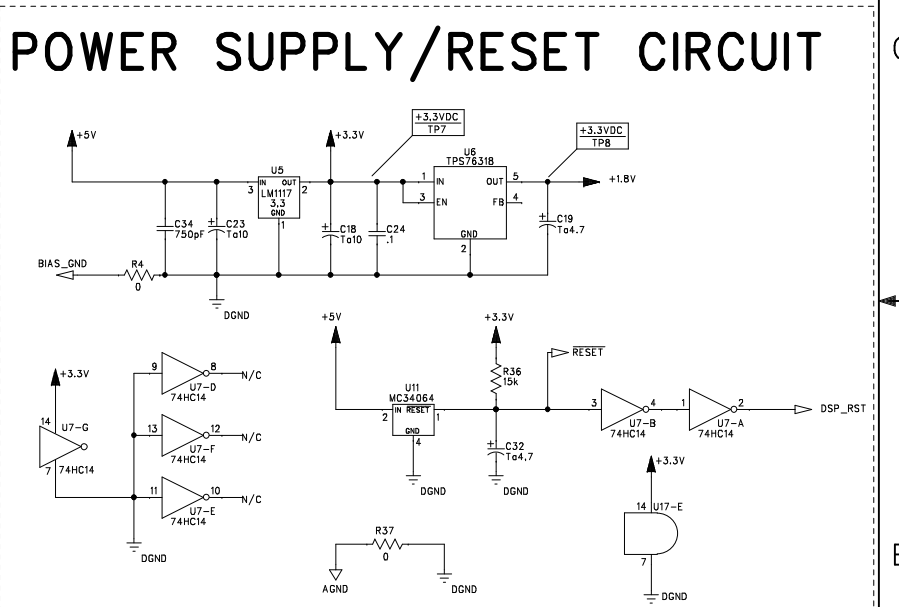
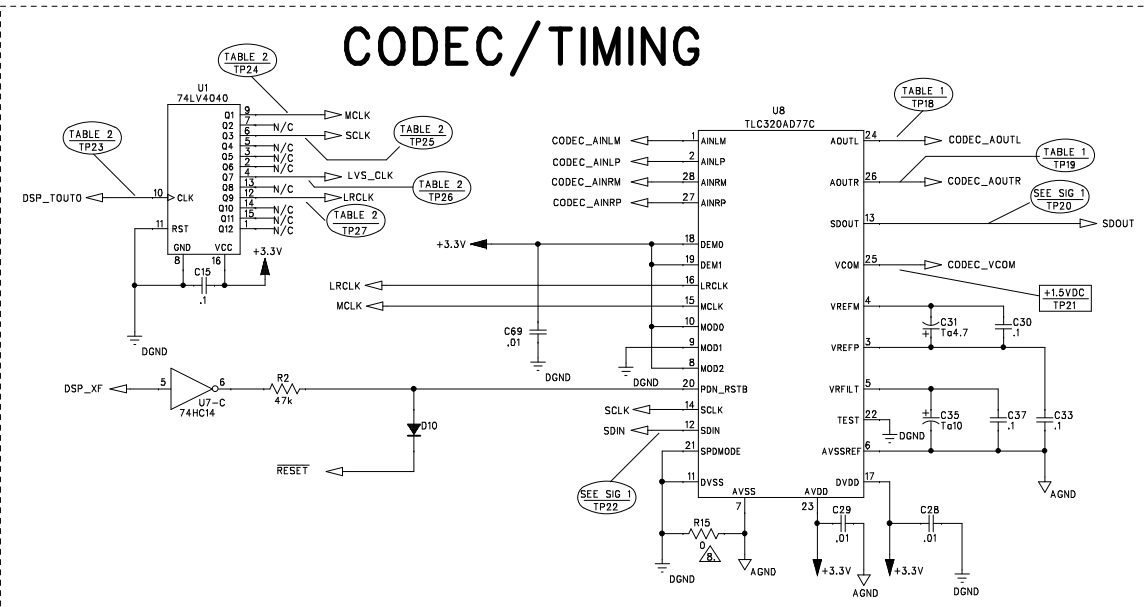
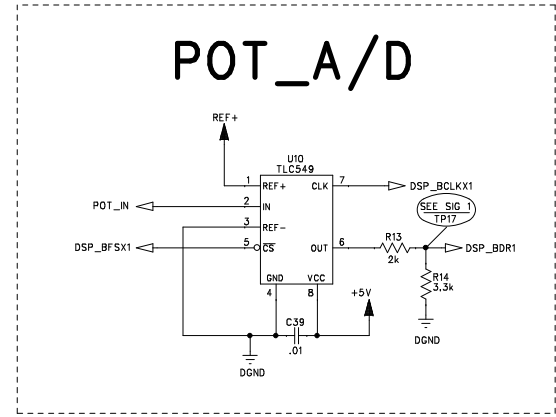
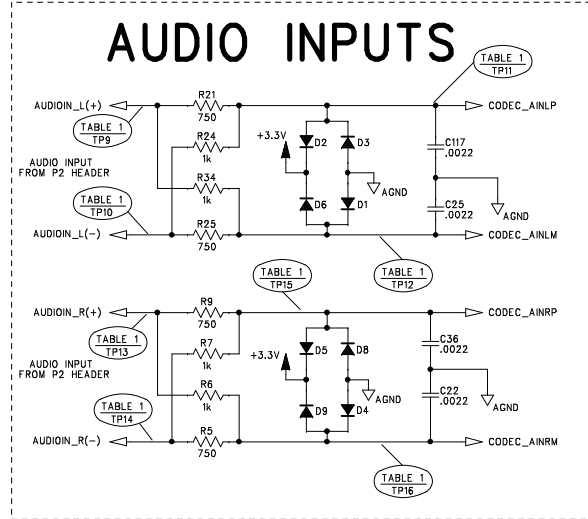
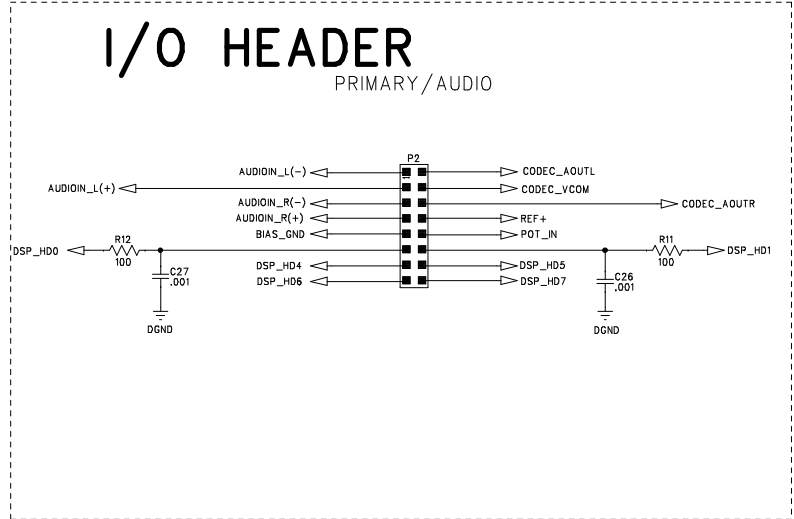
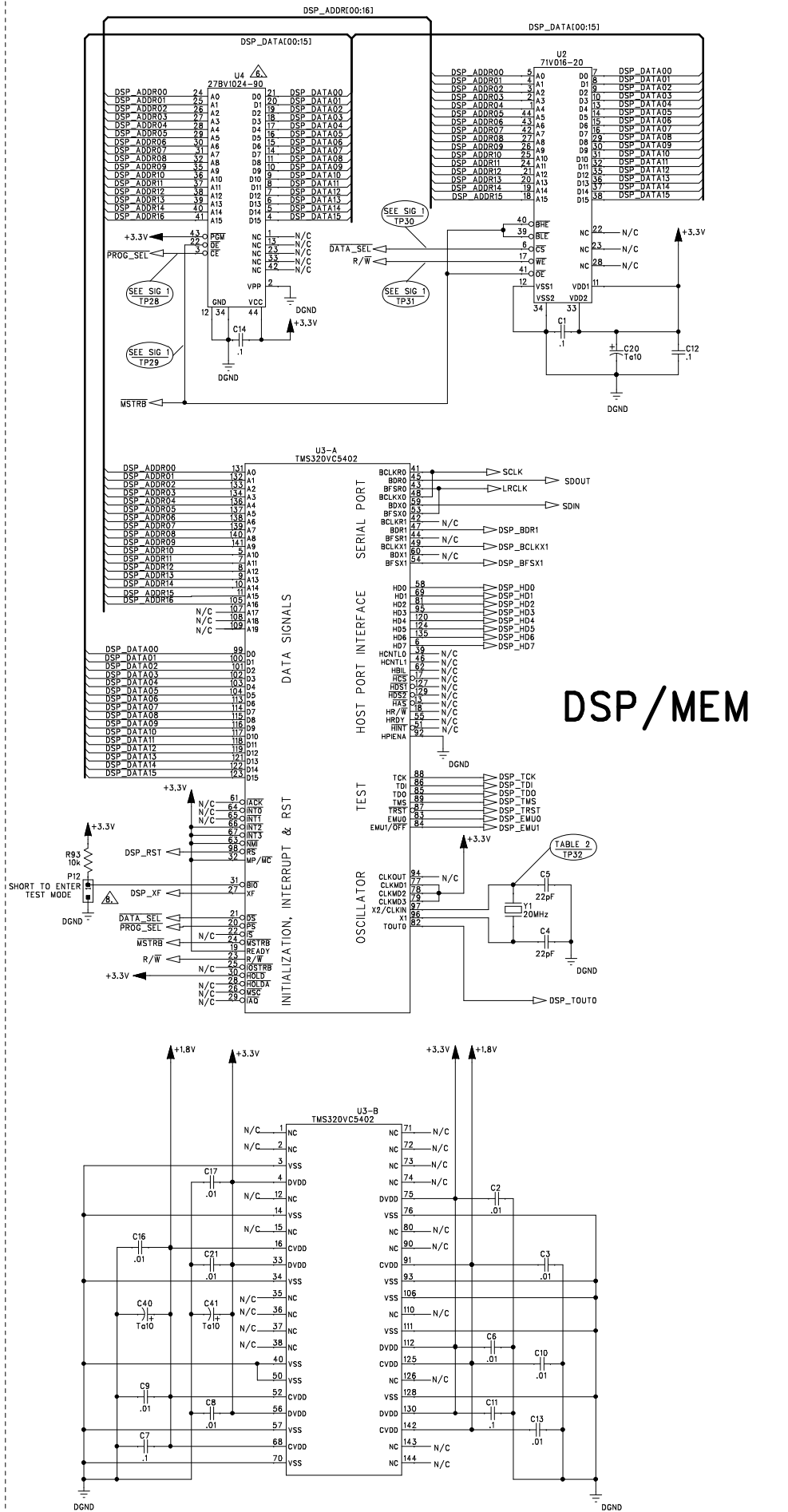


REVISIONS			
REV.	DESCRIPTION	DATE	APPROVED
A	PR626	09-JUN-05	E M M



TP	JAZZMASTER 100mV; 1kHz INPUT	ACOUSTASONIC 75mV; 400Hz INST INPUT	ACOUSTASONIC 75mV; 400Hz MIC INPUT
TP9	2.0VAC	0VAC	2.9VAC
TP10	2.0VAC	0VAC	2.9VAC
TP11	280mVAC	0VAC	400mVAC
TP12	280mVAC	0VAC	400mVAC
TP13	0VAC	1.0VAC	0VAC
TP14	0VAC	1.0VAC	0VAC
TP15	0VAC	130mVAC	0VAC
TP16	0VAC	130mVAC	0VAC
TP18	280mVAC	65mVAC	400mVAC
TP19	280mVAC	65mVAC	400mVAC
TP37	5.0VAC	1.4VAC	8.1VAC
TP38	5.0VAC	1.4VAC	8.1VAC
TP39	5.0VAC	1.4VAC	8.1VAC
TP40	5.0VAC	1.4VAC	8.1VAC

TP	FREQUENCY
TP23	25.0 MHz
TP24	12.5 MHz
TP25	3.125 MHz
TP26	195.3 KHz
TP27	48.8 KHz
TP32	20 MHz

9. FOR TP MEASUREMENTS:
AC AND DC VOLTAGES ARE READ TO GROUND WITH DVM UNDER THE FOLLOWING CONDITIONS:
UNIT AT RATED LINE VOLTAGE
SEE TABLE 2 FOR TP23-27 AND TP32
ACOUSTASONIC IN MONO MODE (REAR PANEL BUTTON IN)
VOLTAGES MAY VARY +/- 20%
ALL CONTROLS AT 50% EXCEPT FX LEVELS FULL CCW
10. USE 100MHz OSCILLOSCOPE MIN TO VERIFY:
TP17, TP20, TP22-32
- DO NOT STUFF P1, P12 AND R15.
P9-10 INSTALLED IN PCB ASSY 0070101000 ONLY.
P5-8 INSTALLED IN PCB ASSY 0064657000 ONLY.
U4 PART NUMBER AS FOLLOWS:
0064663000 - ACOUSTASONIC ULTRALIGHT ASSY (0064657000)
0064677000 - JAZZMASTER ULTRALIGHT ASSY (0070101000)
THIS SCHEMATIC IS FOR PCB FABRICATION P/N 0064658000 AND PCB ASSEMBLY P/N 0064657000 AND 0070101000.
4. ALL DIODES ARE IN4448 UNLESS OTHERWISE SPECIFIED.
3. ALL POLARIZED CAPACITORS IN uf; 20%; 15V MINIMUM.
2. ALL UNPOLARIZED CAPACITORS IN uf; 10% OR BETTER; 16V MINIMUM. (POWER SUPPLY BYPASS CAPACITORS ARE 20%).
1. ALL RESISTORS IN OHMS, 5%; 1/4W.
- NOTES: (UNLESS OTHERWISE NOTED)

THIS DOCUMENT CONTAINS INFORMATION OF A PROPRIETARY NATURE TO FENDER MUSICAL INSTRUMENTS AND IS SUBMITTED TO YOU IN CONFERENCE AND SHALL NOT BE DISCLOSED OR TRANSMITTED TO OTHERS WITHOUT AUTHORIZATION FROM FENDER MUSICAL INSTRUMENTS.

Fender MUSICAL INSTRUMENTS
Corona, CA U.S.A.

TITLE: SERVICE DIAGRAM, COMBINED (schematic)
ULTRALIGHT SERIES
PWR AMP

CHECKED BY: _____
DATE: _____

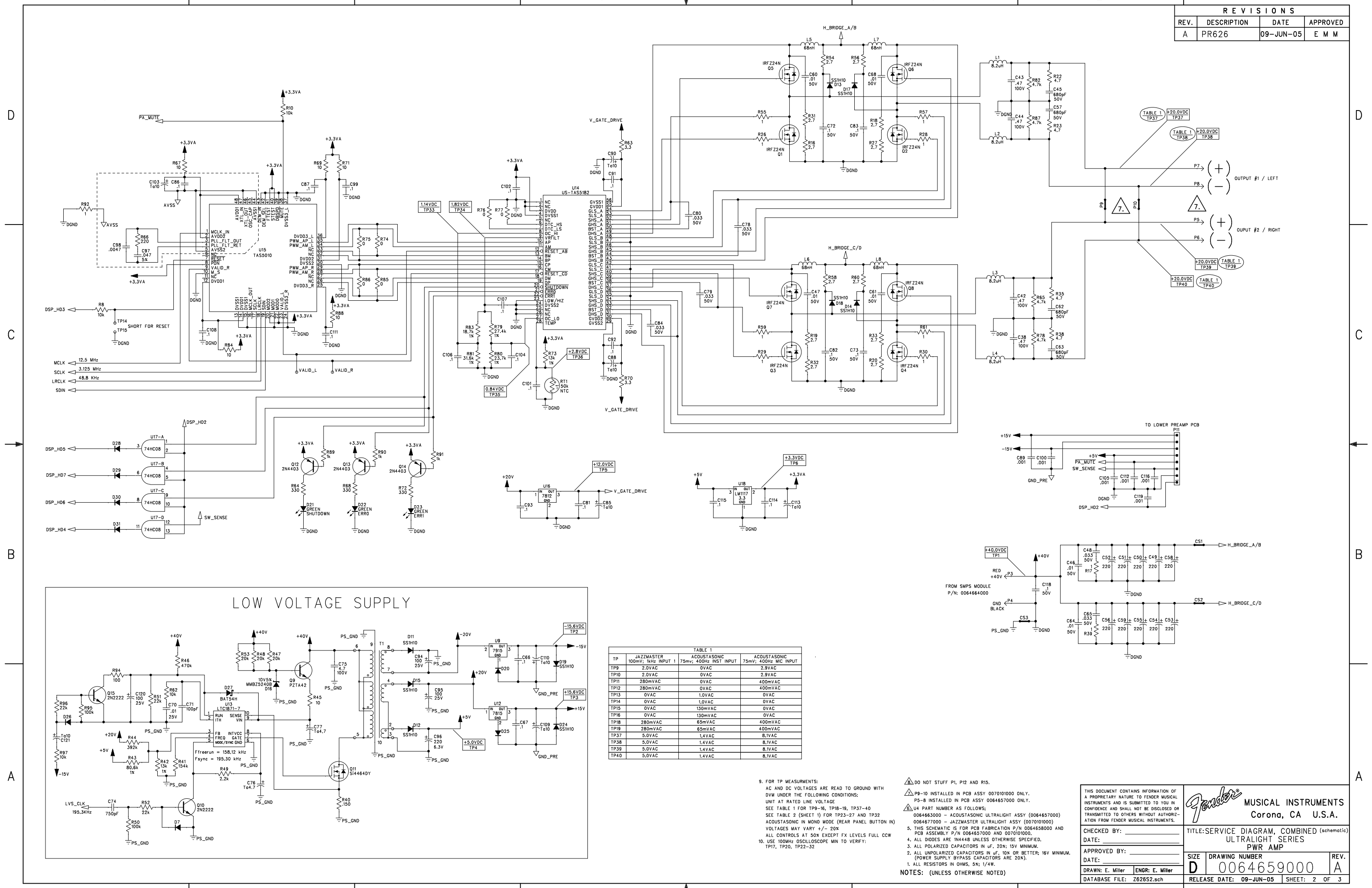
APPROVED BY: _____
DATE: _____

DRAWN: E. Miller ENGR: E. Miller
DATABASE FILE: Z626S2.sch

SIZE **D** DRAWING NUMBER **0064659000** REV. **A**

RELEASE DATE: 09-JUN-05 SHEET: 1 OF 3

REVISIONS			
REV.	DESCRIPTION	DATE	APPROVED
A	PR626	09-JUN-05	E M M



LOW VOLTAGE SUPPLY

TABLE 1

TP	JAZZMASTER 100mV, 1kHz INPUT	ACOUSTASONIC 75mV, 400Hz INST INPUT	ACOUSTASONIC 75mV, 400Hz MIC INPUT
TP9	2.0VAC	0VAC	2.9VAC
TP10	2.0VAC	0VAC	2.9VAC
TP11	280mVAC	0VAC	400mVAC
TP12	280mVAC	0VAC	400mVAC
TP13	0VAC	1.0VAC	0VAC
TP14	0VAC	1.0VAC	0VAC
TP15	0VAC	1.30mVAC	0VAC
TP16	0VAC	1.30mVAC	0VAC
TP18	280mVAC	65mVAC	400mVAC
TP19	280mVAC	65mVAC	400mVAC
TP37	5.0VAC	1.4VAC	8.1VAC
TP38	5.0VAC	1.4VAC	8.1VAC
TP39	5.0VAC	1.4VAC	8.1VAC
TP40	5.0VAC	1.4VAC	8.1VAC

9. FOR TP MEASUREMENTS:
AC AND DC VOLTAGES ARE READ TO GROUND WITH DVM UNDER THE FOLLOWING CONDITIONS:
UNIT AT RATED LINE VOLTAGE
SEE TABLE 1 FOR TP9-16, TP18-19, TP37-40
SEE TABLE 2 (SHEET 1) FOR TP33-27 AND TP32
ACOUSTASONIC IN MONO MODE (REAR PANEL BUTTON IN)
VOLTAGES MAY VARY +/- 20%
ALL CONTROLS AT 50K EXCEPT FX LEVELS FULL CCW
10. USE 100MHz OSCILLOSCOPE MIN TO VERIFY:
TP17, TP20, TP22-32
- DO NOT STUFF P1, P12 AND R15.
P9-10 INSTALLED IN PCB ASSY 0070101000 ONLY.
P5-8 INSTALLED IN PCB ASSY 0064657000 ONLY.
U4 PART NUMBER AS FOLLOWS:
0064653000 - ACOUSTASONIC ULTRALIGHT ASSY (0064657000)
0064677000 - JAZZMASTER ULTRALIGHT ASSY (0070101000)
0064658000 - PCB ASSEMBLY P/N 0064657000 AND 0070101000.
4. ALL DIODES ARE 1N4448 UNLESS OTHERWISE SPECIFIED.
5. THE SCHEMATIC IS FOR PCB FABRICATION P/N 0064658000 AND PCB ASSEMBLY P/N 0064657000 AND 0070101000.
2. ALL UNPOLARIZED CAPACITORS IN uF, 20% OR BETTER; 16V MINIMUM. (POWER SUPPLY BYPASS CAPACITORS ARE 20%).
1. ALL RESISTORS IN OHMS, 5%; 1/4W.
NOTES: (UNLESS OTHERWISE NOTED)

THIS DOCUMENT CONTAINS INFORMATION OF A PROPRIETARY NATURE TO FENDER MUSICAL INSTRUMENTS AND IS SUBMITTED TO YOU IN CONFERENCE AND SHALL NOT BE DISCLOSED OR TRANSMITTED TO OTHERS WITHOUT AUTHORIZATION FROM FENDER MUSICAL INSTRUMENTS.

Fender MUSICAL INSTRUMENTS
Corona, CA U.S.A.

TITLE: SERVICE DIAGRAM, COMBINED (schematic)
ULTRALIGHT SERIES
PWR AMP

CHECKED BY: _____
DATE: _____
APPROVED BY: _____
DATE: _____
DRAWN: E. Miller ENGR: E. Miller
DATABASE FILE: Z626S2.sch

SIZE: **D** DRAWING NUMBER: **0064659000** REV. **A**

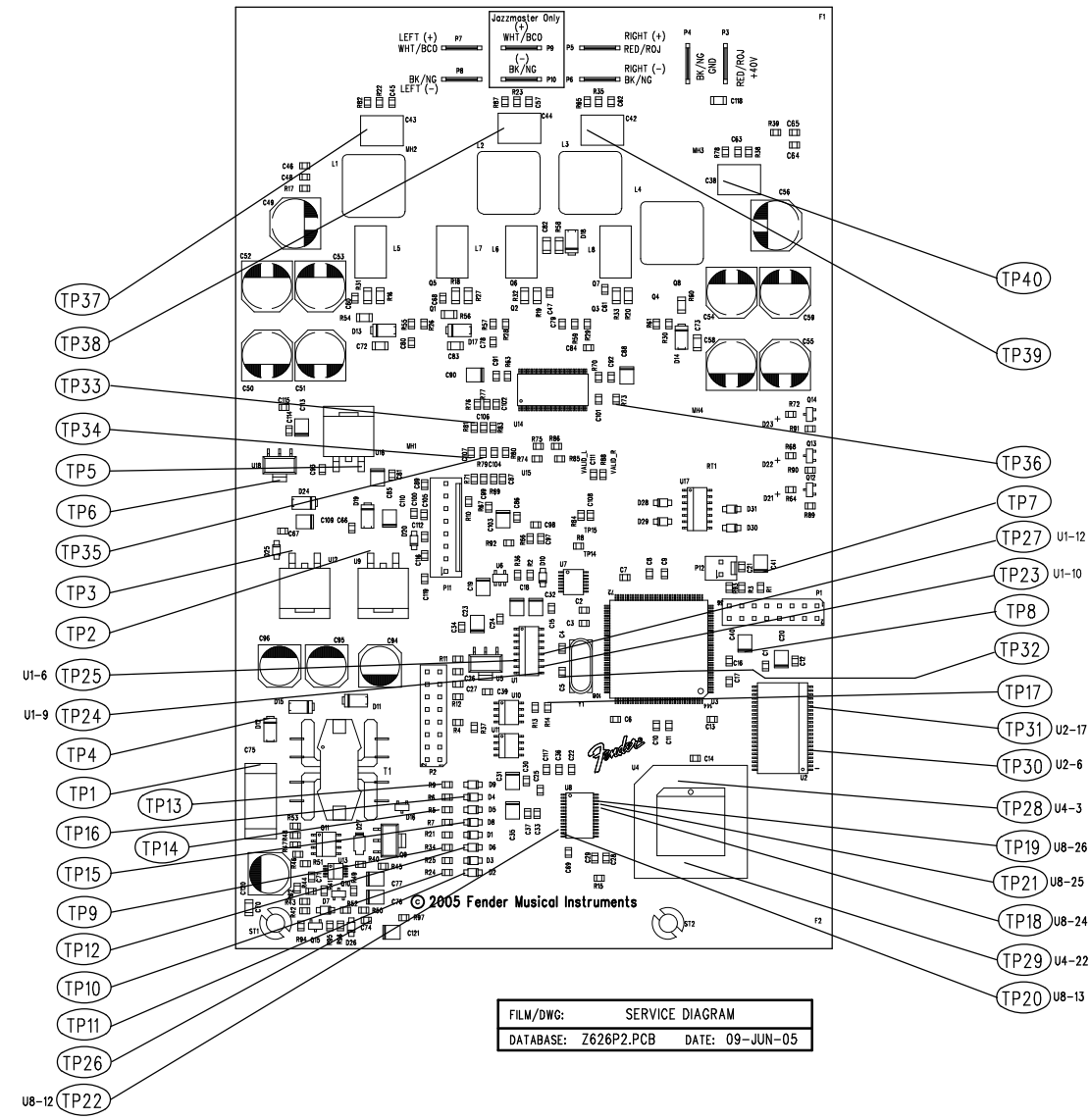
RELEASE DATE: 09-JUN-05 SHEET: 2 OF 3

8 7 6 5 4 3 2 1

REVISIONS			
REV.	DESCRIPTION	DATE	APPROVED
A	PR 626	09-JUN-05	E M M

D
C
B
A


D
C
B
A



FILM/DWG: SERVICE DIAGRAM
 DATABASE: Z626P2.PCB DATE: 09-JUN-05

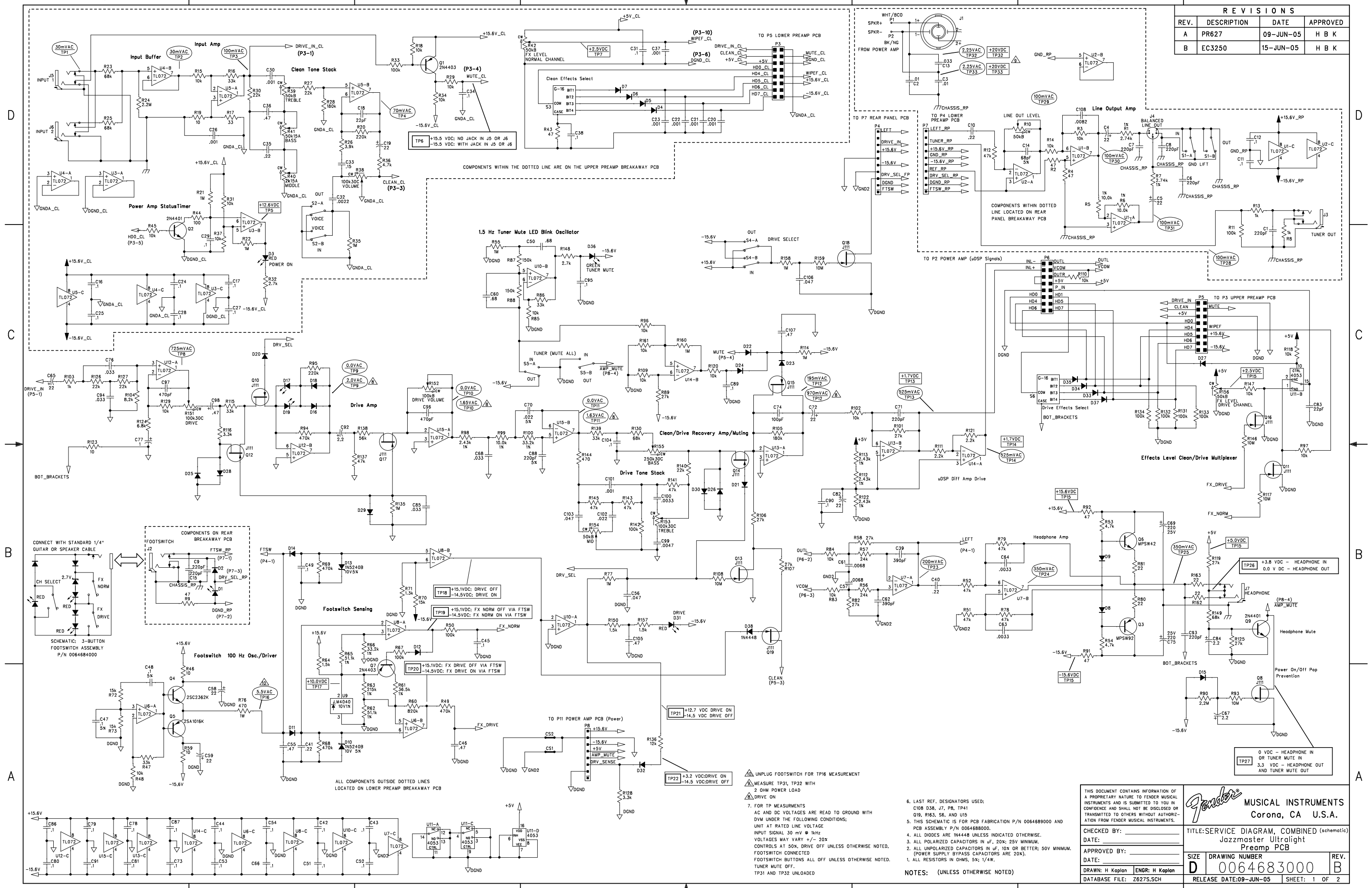
1. SEE SHEETS 1 & 2 FOR TEST CONDITIONS AND TEST POINT VALUES.

NOTES: (UNLESS OTHERWISE NOTED)

THIS DOCUMENT CONTAINS INFORMATION OF A PROPRIETARY NATURE TO FENDER MUSICAL INSTRUMENTS AND IS SUBMITTED TO YOU IN CONFIDENCE AND SHALL NOT BE DISCLOSED OR TRANSMITTED TO OTHERS WITHOUT AUTHORIZATION FROM FENDER MUSICAL INSTRUMENTS.		 MUSICAL INSTRUMENTS Corona, CA U.S.A.	
CHECKED BY: _____ DATE: _____		TITLE: SERVICE DIAGRAM, COMBINED (PCB assy) ULTRALIGHT SERIES PWR AMP	
APPROVED BY: _____ DATE: _____		SIZE: C	DRAWING NUMBER: 0064659000
DRAWN: P CORBIN	ENGR: E. MILLER	RELEASE DATE: 09-JUN-05	REV. A
DATABASE FILE: Z626P2.PCB		SHEET 3 OF 3	

8 7 6 5 4 3 2 1

REVISIONS			
REV.	DESCRIPTION	DATE	APPROVED
A	PR627	09-JUN-05	H B K
B	EC3250	15-JUN-05	H B K



A

B

C

D

- 1. UNPLUG FOOTSWITCH FOR TP16 MEASUREMENT
- 2. MEASURE TP31, TP32 WITH 2 OHM POWER LOAD
- 3. DRIVE ON
- 4. FOR TP MEASUREMENTS
- 5. AC AND DC VOLTAGES ARE READ TO GROUND WITH DVM UNDER THE FOLLOWING CONDITIONS: UNIT AT RATED LINE VOLTAGE INPUT SIGNAL 30 mV @ 1kHz VOLTAGES MAY VARY +/- 20% CONTROLS AT 50k, DRIVE OFF UNLESS OTHERWISE NOTED. FOOTSWITCH CONNECTED FOOTSWITCH CONNECTED TUNER MUTE OFF. TP31 AND TP32 UNLOADED
- 6. LAST REF. DESIGNATORS USED: C108, D38, J7, P8, TP41, D19, R163, S6, AND U15
- 7. THIS SCHEMATIC IS FOR PCB FABRICATION P/N 0064689000 AND UNIT ASSEMBLY P/N 0064689000.
- 8. ALL DIODES ARE 1N4448 UNLESS INDICATED OTHERWISE.
- 9. ALL POLARIZED CAPACITORS IN uF, 20% 25V MINIMUM. (POWER SUPPLY BYPASS CAPACITORS ARE 20%).
- 10. ALL RESISTORS IN OHMS, 5% 1/4W.

NOTES: (UNLESS OTHERWISE NOTED)

THIS DOCUMENT CONTAINS INFORMATION OF A PROPRIETARY NATURE TO FENDER MUSICAL INSTRUMENTS AND IS SUBMITTED TO YOU IN CONFIDENCE AND SHALL NOT BE DISCLOSED OR TRANSMITTED TO OTHERS WITHOUT AUTHORIZATION FROM FENDER MUSICAL INSTRUMENTS.

Fender MUSICAL INSTRUMENTS
Corona, CA U.S.A.

TITLE: SERVICE DIAGRAM, COMBINED (schematic)
Jazzmaster UltraLight
Preamp PCB

CHECKED BY: _____
DATE: _____

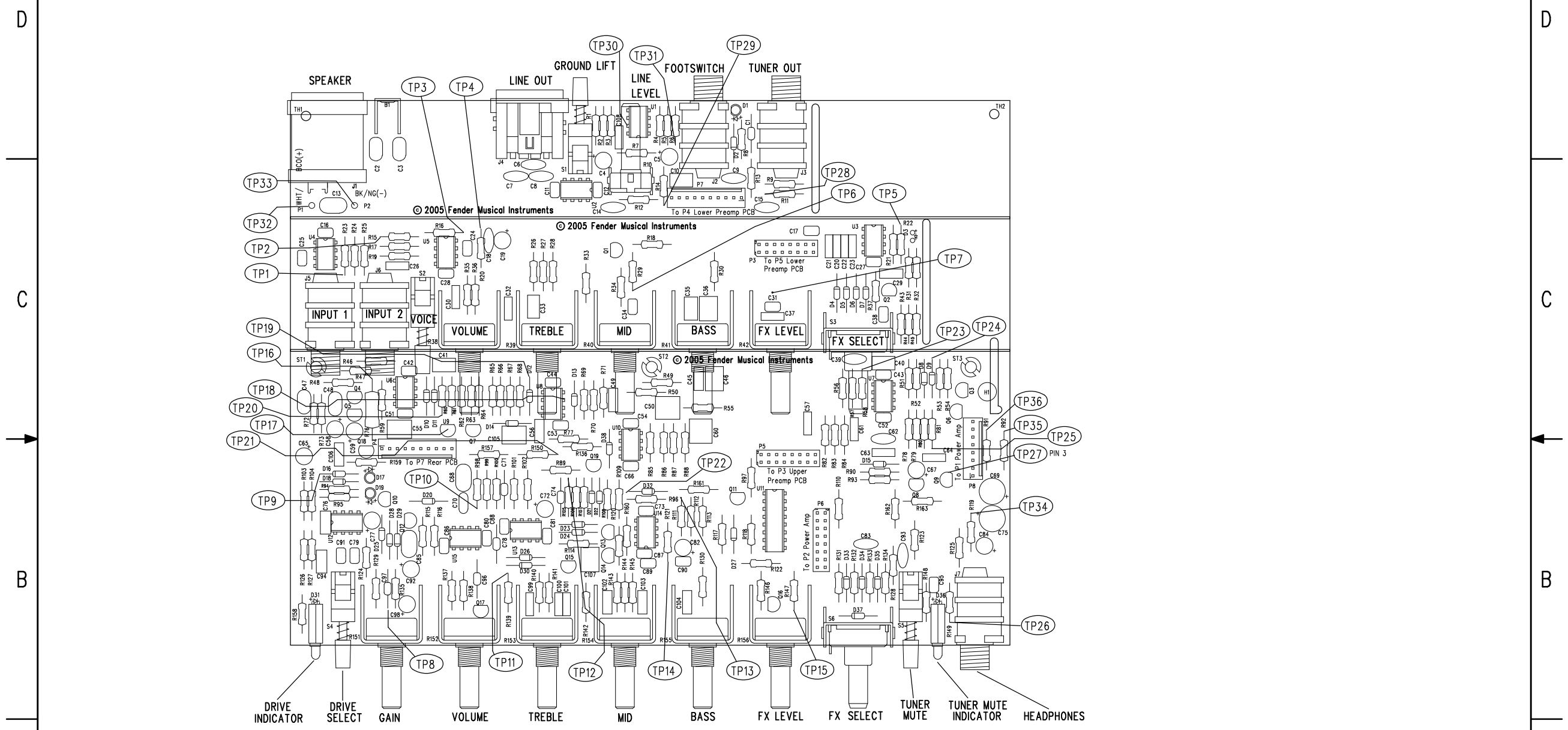
APPROVED BY: _____
DATE: _____

DRAWN: H Kaplan ENGR: H Kaplan
DATABASE FILE: Z627S.SCH

SIZE: **D** DRAWING NUMBER: **0064683000** REV. **B**

RELEASE DATE: 09-JUN-05 SHEET: 1 OF 2


REVISIONS			
REV.	DESCRIPTION	DATE	APPROVED
A	PR 627	09-JUN-05	H B K
B	EC3250	15-JUN-05	H B K



FILM/DWG: SERVICE DIAGRAM
 DATABASE: Z627P.PCB DATE: 15-JUN-05

1. SEE SHEET 1 FOR TEST CONDITIONS AND TP VALUES

NOTES: (UNLESS OTHERWISE NOTED)

THIS DOCUMENT CONTAINS INFORMATION OF A PROPRIETARY NATURE TO FENDER MUSICAL INSTRUMENTS AND IS SUBMITTED TO YOU IN CONFIDENCE AND SHALL NOT BE DISCLOSED OR TRANSMITTED TO OTHERS WITHOUT AUTHORIZATION FROM FENDER MUSICAL INSTRUMENTS.		 MUSICAL INSTRUMENTS Corona, CA U.S.A.	
CHECKED BY: _____	TITLE: SERVICE DIAGRAM, COMBINED (PCB assy) JAZZMASTER ULTRALIGHT PREAMP PCB		
DATE: _____	SIZE	DRAWING NUMBER	REV.
APPROVED BY: _____	C	0064683000	B
DATE: _____	DRAWN: H Kaplan ENGR: H Kaplan		
DATABASE FILE: Z627P.PCB	RELEASE DATE: 09-JUN-05	SHEET 2 OF 2	