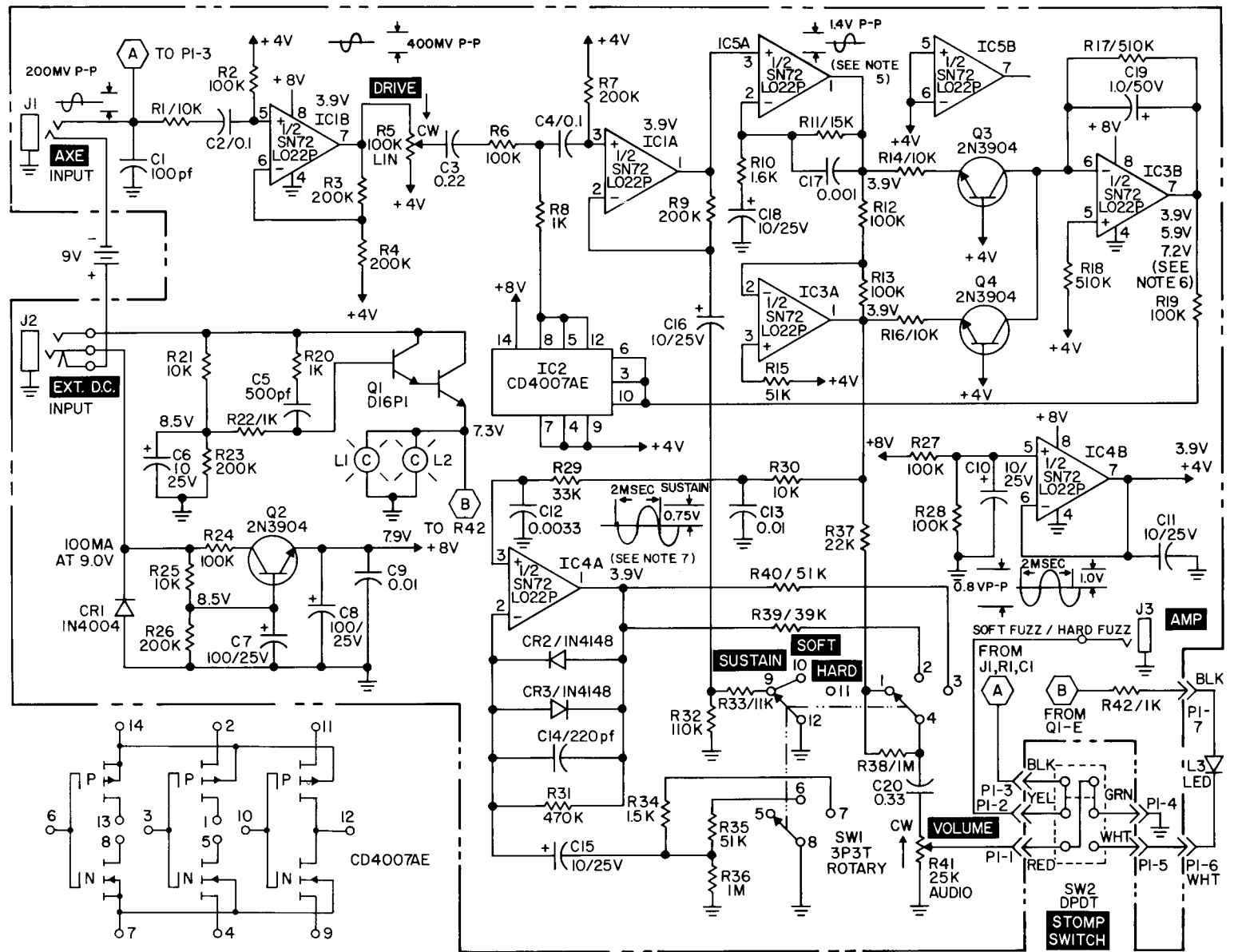
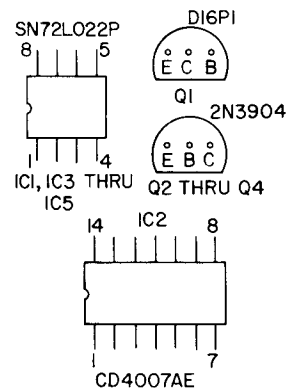


NOTES:

UNLESS OTHERWISE SPECIFIED:

- 1) ALL RESISTOR VALUES ARE IN OHMS, 5%, 1/4 WATT.
- 2) ALL CAPACITOR VALUES ARE IN MFD (μ F).
- 3) WAVEFORMS OBTAINED WITH DRIVE AND VOLUME POTS AT MAXIMUM.
- 4) VOLTAGES MEASURED WITH OSCILLOSCOPE AND 9 VOLTS AT EXT DC INPUT.
- 5) CONSTANT OVER INPUT RANGE OF 7MV TO 200MV.
- 6) 3.9V NO SIGNAL; 5.9V 200MV INPUT, 7.2V 2V INPUT.
- 7) SELECTOR SWITCH IN APPROPRIATE POSITION.
- 8) BASING DIAGRAMS, TOP VIEWS:



993-040056

FIGURE 3 FUZZTAIN SCHEMATIC DIAGRAM