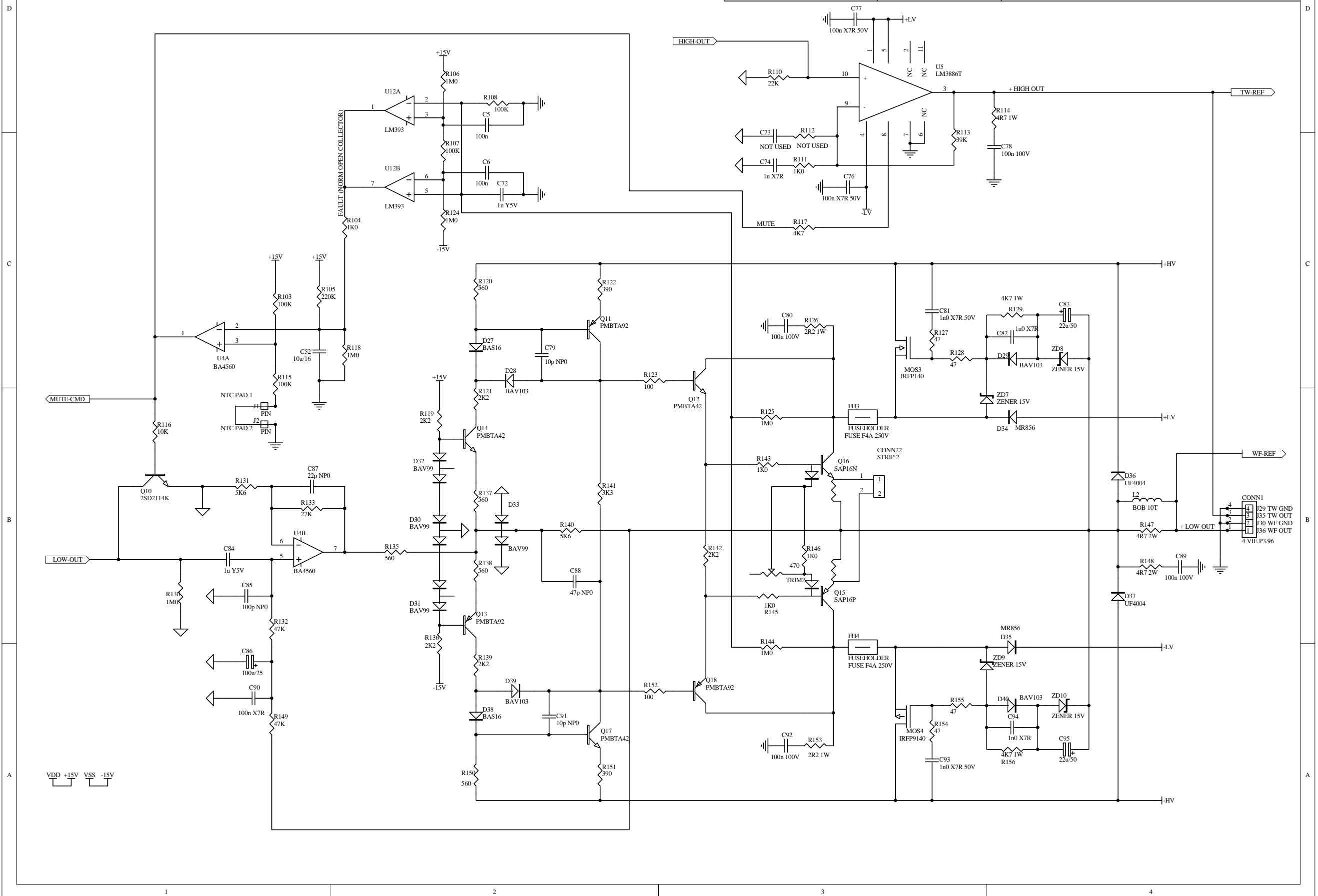
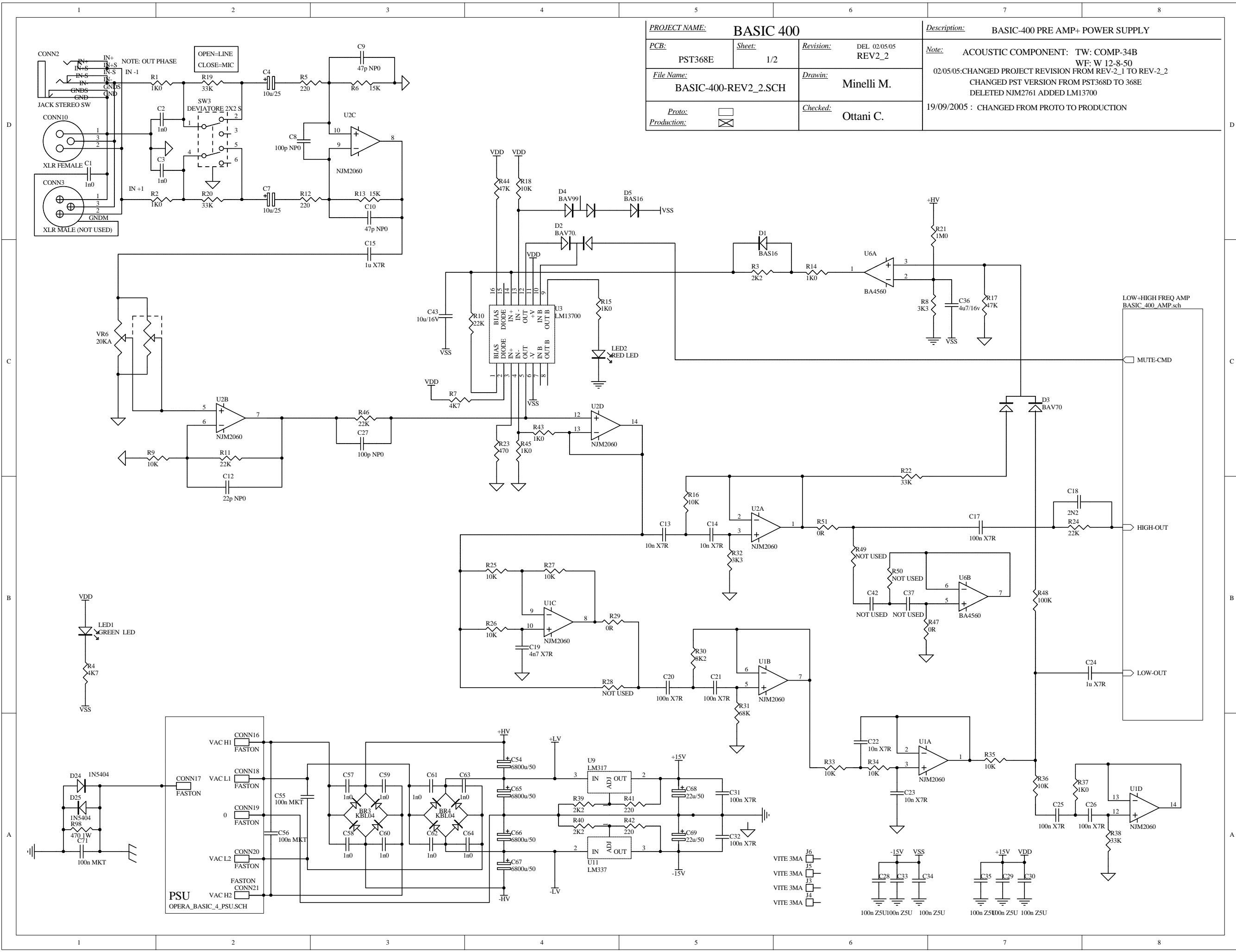


<b>PROJECT NAME:</b> BASIC 400		<b>Description:</b> BASIC-400 AMPLI	
<b>PCB:</b> PST368E	<b>Sheet:</b> 2/2	<b>Revision:</b> DEL 20/05 REV2_2	<b>Note:</b> 13/01/05: CHANGED PROJECT REVISION FROM REV-1 TO REV-2 CHANGED PST VERSION FROM PST368B TO 368C REVERSED INPUT PHASE TO CORRECT WF PHASE ERROR
<b>File Name:</b> BASIC-400-REV2_2.SCH		<b>Drawin:</b> Minelli M.	
<b>Proto:</b> <input type="checkbox"/>	<b>Checked:</b> Ottani C.		07/03/05: CHANGED PCB VERSION FROM 368C TO 368D TO CORRECT PCB LIBRARY ERROR ON NIM2761
<b>Production:</b> <input checked="" type="checkbox"/>			19/09/2005 : CHANGED FROM PROTO TO PRODUCTION



<b>PROJECT NAME:</b> BASIC 400		<b>Description:</b> BASIC-400 PRE AMP+ POWER SUPPLY	
<b>PCB:</b> PST368E	<b>Sheet:</b> 1/2	<b>Revision:</b> DEL 02/05/05 REV2_2	<b>Note:</b> ACOUSTIC COMPONENT: TW: COMP-34B WF: W 12-8-50
<b>File Name:</b> BASIC-400-REV2_2.SCH		<b>Drawin:</b> Minelli M.	02/05/05:CHANGED PROJECT REVISION FROM REV-2_1 TO REV-2_2
<b>Proto:</b> <input type="checkbox"/>	<b>Production:</b> <input checked="" type="checkbox"/>	<b>Checked:</b> Ottani C.	CHANGED PST VERSION FROM PST368D TO 368E DELETED NJM2761 ADDED LM13700
19/09/2005 : CHANGED FROM PROTO TO PRODUCTION			



	<b>UFFICIO PROGETTAZIONE</b>	<b>MOD. BOM</b>	
<b>Bill Of Material</b>			
<b>PROGETTO</b>	<b>BASIC_400 REV 2_2</b>	<b>DATA:27/06/2005</b>	
<b>NOME FILE</b>	<b>BASIC_400 REV 2_2.XLS</b>	<b>AUTORE: M.MINELLI</b>	
<b>Part Type</b>	<b>Designator</b>	<b>Footprint</b>	<b>Description</b>
OR	R29	805	RESISTOR
OR	R47	805	RESISTOR
OR	R51	805	RESISTOR
1K0	R14	805	RESISTOR
1K0	R45	805	RESISTOR
1K0	R2	805	RESISTOR
1K0	R1	805	RESISTOR
1K0	R43	805	RESISTOR
1K0	R15	805	RESISTOR
1K0	R37	805	RESISTOR
1K0	R143	805	RESISTOR
1K0	R145	805	RESISTOR
1K0	R111	805	RESISTOR
1K0	R104	805	RESISTOR
1K0	R146	R 1/4W	RESISTOR
1M0	R118	805	RESISTOR
1M0	R125	805	RESISTOR
1M0	R144	805	RESISTOR
1M0	R130	805	RESISTOR
1M0	R106	805	RESISTOR
1M0	R124	805	RESISTOR
1M0	R21	805	RESISTOR
1N5404	D24	DIODE P17.5 V	3A DIODE
1N5404	D25	DIODE P17.5 V	3A DIODE
1n0	C3	805	CER CAP
1n0	C2	805	CER CAP
1n0	C1	805	CER CAP
1n0	C64	COND P5	CER CAP
1n0	C58	COND P5	CER CAP
1n0	C59	COND P5	CER CAP
1n0	C57	COND P5	CER CAP
1n0	C60	COND P5	CER CAP
1n0	C62	COND P5	CER CAP
1n0	C63	COND P5	CER CAP
1n0	C61	COND P5	CER CAP
1n0 X7R 50V	C81	805	CER CAP
1n0 X7R 50V	C93	805	CER CAP
1n0 X7R	C94	805	POL CAP
1n0 X7R	C82	805	POL CAP
1u X7R	C15	805	CER CAP
1u X7R	C74	805	CER CAP
1u X7R	C24	805	POL CAP
1u Y5V	C72	805	POL CAP
1u Y5V	C84	805	CER CAP
2K2	R142	805	RESISTOR
2K2	R119	805	RESISTOR
2K2	R121	805	RESISTOR

2K2	R136	805	RESISTOR
2K2	R3	805	RESISTOR
2K2	R139	805	RESISTOR
2K2	R40	805	RESISTOR
2K2	R39	805	RESISTOR
2N2	C18	805	POL CAP
2R2 1W	R126	R 1W	RESISTOR
2R2 1W	R153	R 1W	RESISTOR
2SD2114K	Q10	SOT-23	NPN TRANSISTOR
3K3	R141	805	RESISTOR
3K3	R32	805	RESISTOR
3K3	R8	805	RESISTOR
4K7	R7	805	RESISTOR
4K7	R117	805	RESISTOR
4K7	R4	805	RESISTOR
4K7 1W	R129	R 1W	RESISTOR
4K7 1W	R156	R 1W	RESISTOR
4R7 1W	R114	R 1W	RESISTOR
4R7 2W	R147	R 2W	RESISTOR
4R7 2W	R148	R 2W	RESISTOR
4 VIE P3.96	CONN1	4 VIE P3.96	4 WAY P3.96 VERT CONN
4n7 X7R	C19	805	POL CAP
4u7/16v	C36	1210	POL CAP
5K6	R140	805	RESISTOR
5K6	R131	805	RESISTOR
8K2	R30	805	RESISTOR
10K	R18	805	RESISTOR
10K	R116	805	RESISTOR
10K	R34	805	RESISTOR
10K	R33	805	RESISTOR
10K	R16	805	RESISTOR
10K	R9	805	RESISTOR
10K	R36	805	RESISTOR
10K	R35	805	RESISTOR
10K	R26	805	RESISTOR
10K	R27	805	RESISTOR
10K	R25	805	RESISTOR
10n X7R	C14	805	POL CAP
10n X7R	C13	805	POL CAP
10n X7R	C23	805	POL CAP
10n X7R	C22	805	POL CAP
10p NP0	C91	805	CER CAP
10p NP0	C79	805	CER CAP
10u/16	C52	1210	CER CAP
10u/16V	C43	1210	POL CAP
10u/25	C4	ELECT P2.5 D5	CAPACITOR
10u/25	C7	ELECT P2.5 D5	CAPACITOR
15K	R13	805	RESISTOR
15K	R6	805	RESISTOR
20KA	VR6	POT H 16 X2	POTENTIOMETER
22K	R10	805	RESISTOR
22K	R110	805	RESISTOR
22K	R11	805	RESISTOR
22K	R24	805	RESISTOR
22K	R46	805	RESISTOR
22p NP0	C87	805	POL CAP
22p NP0	C12	805	CER CAP
22u/50	C68	ELECT P2.5 D5	CAPACITOR

22u/50	C95	ELECT P2.5 D5	CAPACITOR
22u/50	C83	ELECT P2.5 D5	CAPACITOR
22u/50	C69	ELECT P2.5 D5	CAPACITOR
27K	R133	805	RESISTOR
33K	R38	805	RESISTOR
33K	R19	805	RESISTOR
33K	R20	805	RESISTOR
33K	R22	805	RESISTOR
39K	R113	805	RESISTOR
47	R128	805	RESISTOR
47	R155	805	RESISTOR
47	R127	805	RESISTOR
47	R154	805	RESISTOR
47K	R149	805	RESISTOR
47K	R132	805	RESISTOR
47K	R17	805	RESISTOR
47K	R44	805	RESISTOR
47p NP0	C10	805	CER CAP
47p NP0	C9	805	CER CAP
47p NP0	C88	805	CER CAP
68K	R31	805	RESISTOR
100	R152	805	RESISTOR
100	R123	805	RESISTOR
100K	R108	805	RESISTOR
100K	R107	805	RESISTOR
100K	R115	805	RESISTOR
100K	R48	805	RESISTOR
100K	R103	805	RESISTOR
100n 100V	C92	COND P10	POL CAP
100n 100V	C78	COND P10	POL CAP
100n 100V	C80	COND P10	POL CAP
100n 100V	C89	COND P10	POL CAP
100n	C6	805	CER CAP
100n	C5	805	CER CAP
100n MKT	C71	COND P10	POL CAP
100n MKT	C55	COND P15	POL CAP
100n MKT	C56	COND P15	POL CAP
100n X7R 50V	C76	805	CER CAP
100n X7R 50V	C77	805	CER CAP
100n X7R	C26	805	POL CAP
100n X7R	C31	805	CER CAP
100n X7R	C32	805	CER CAP
100n X7R	C17	805	POL CAP
100n X7R	C25	805	POL CAP
100n X7R	C90	805	POL CAP
100n X7R	C21	805	POL CAP
100n X7R	C20	805	POL CAP
100n Z5U	C35	805	CER CAP
100n Z5U	C30	805	CER CAP
100n Z5U	C34	805	CER CAP
100n Z5U	C33	805	CER CAP
100n Z5U	C28	805	CER CAP
100n Z5U	C29	805	CER CAP
100p NP0	C27	805	POL CAP
100p NP0	C8	805	POL CAP
100p NP0	C85	805	CER CAP
100u/25	C86	ELECT P2.5 D5	CAPACITOR
220	R5	805	RESISTOR

220	R12	805	RESISTOR
220	R42	805	RESISTOR
220	R41	805	RESISTOR
220K	R105	805	RESISTOR
390	R122	805	RESISTOR
390	R151	805	RESISTOR
470	R23	805	RESISTOR
470	TRIM2	PT10V	TRIMMER
560	R135	805	RESISTOR
560	R150	805	RESISTOR
560	R120	805	RESISTOR
560	R137	805	RESISTOR
560	R138	805	RESISTOR
470 1W	R98	R 1W	RESISTOR
6800u/50	C66	ELECT SNAP30	CAPACITOR
6800u/50	C54	ELECT SNAP30	CAPACITOR
6800u/50	C67	ELECT SNAP30	CAPACITOR
6800u/50	C65	ELECT SNAP30	CAPACITOR
BA4560	U6	SO-8	DUAL OP AMP
BA4560	U4	SO-8	DUAL OP AMP
BAS16	D38	SOT-23	SINGLE DIODE
BAS16	D27	SOT-23	SINGLE DIODE
BAS16	D1	SOT-23	SINGLE DIODE
BAS16	D5	SOT-23	SINGLE DIODE
BAV70	D3	SOT-23	2 DIODE COMMON K
BAV70.	D2	SOT-23	2 DIODE COMMON K
BAV99	D31	SOT-23	2 DIODE AK
BAV99	D32	SOT-23	2 DIODE AK
BAV99	D30	SOT-23	2 DIODE AK
BAV99	D33	SOT-23	2 DIODE AK
BAV99	D4	SOT-23	2 DIODE AK
BAV103	D40	D-64	DIODE
BAV103	D28	D-64	DIODE
BAV103	D29	D-64	DIODE
BAV103	D39	D-64	DIODE
BOB 10T	L2	BOB 10T	INDUCTOR
DEVIATORE 2X2 S	SW3	DEV 2X2 H	DOPPIO DEVIATORE SCHERMATO
FASTON	CONN19	FASTON 6,3 V	FASTON
FASTON	CONN20	FASTON 6,3 V	FASTON
FASTON	CONN16	FASTON 6,3 V	FASTON
FASTON	CONN17	FASTON 6,3 V	FASTON



# AEB

AEB S.r.l. ACOUSTIC ENGINEERING BUREAU

TITLE:

BASIC\_400-REV2\_2

ENGINEER: M. MINELLI

PHONE: +39 051.969.870

FAX: +39 051.969.725

LAYER:

Mechanical Layer 5

DATE:

27-Jun-2005

PART NO.:

PST368E

GERBER:

REV: 2\_2

FILE NAME:

PST368E.PCB

