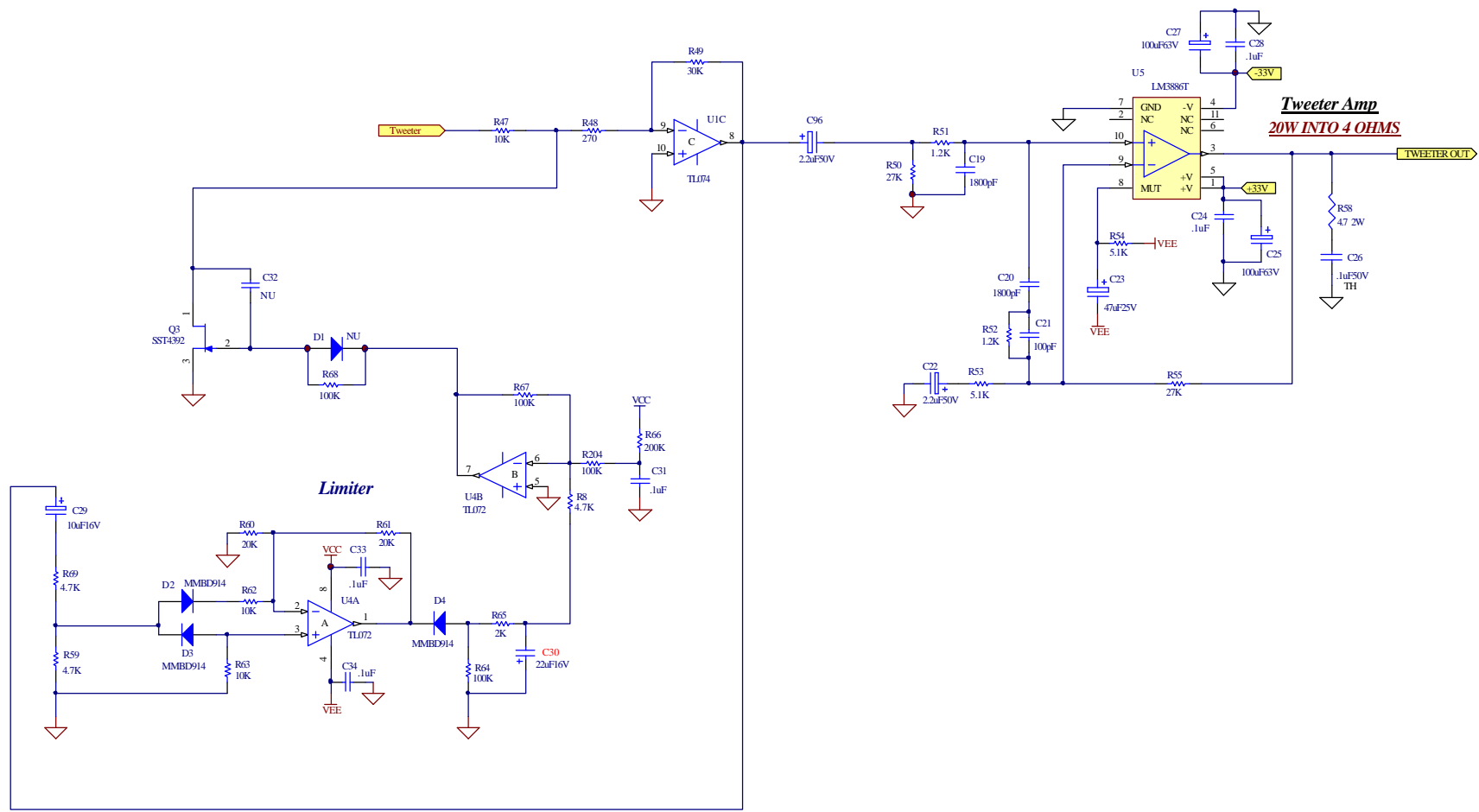
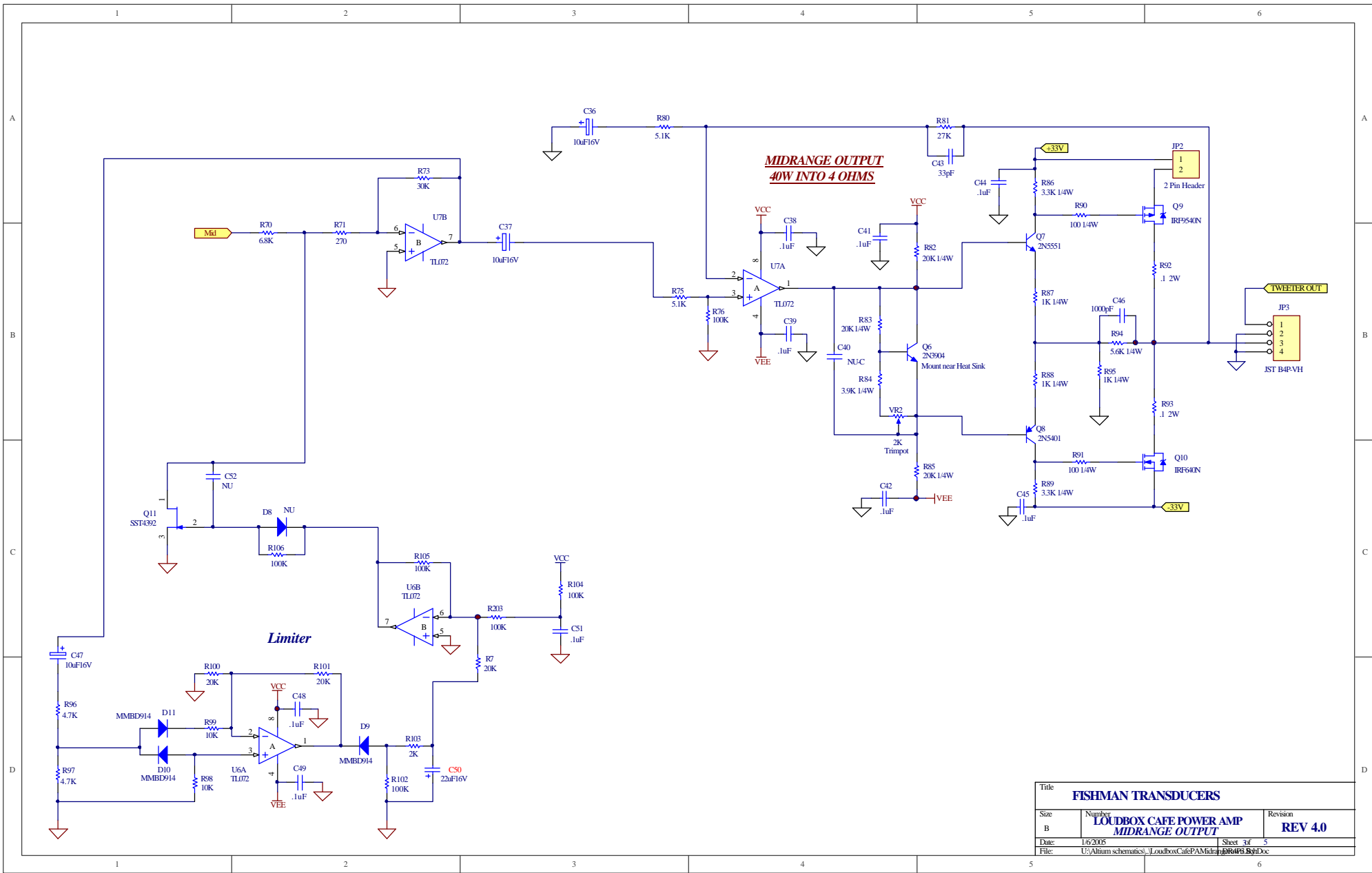


Title FISHMAN TRANSDUCERS		
Size B	Number LOUDBOX CAFE POWER AMP Crossover	Revision REV 4.0
Date: 1/6/2005	Sheet of 5	Author BhDoSeanus McLaughlin
File: U:\Album_schematics\...LoudboxCafePACrossover		

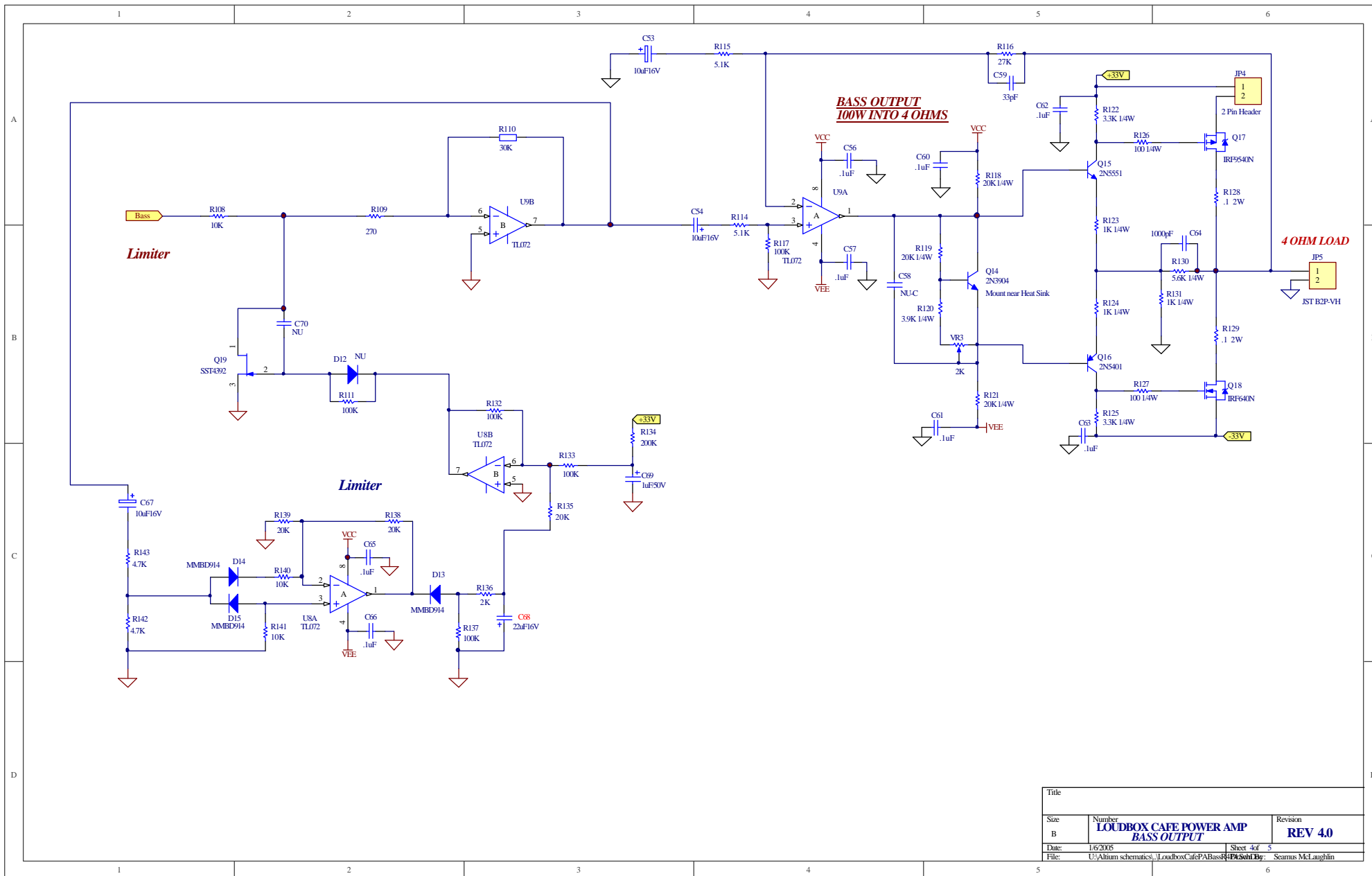


Tweeter Amp
20W INTO 4 OHMS

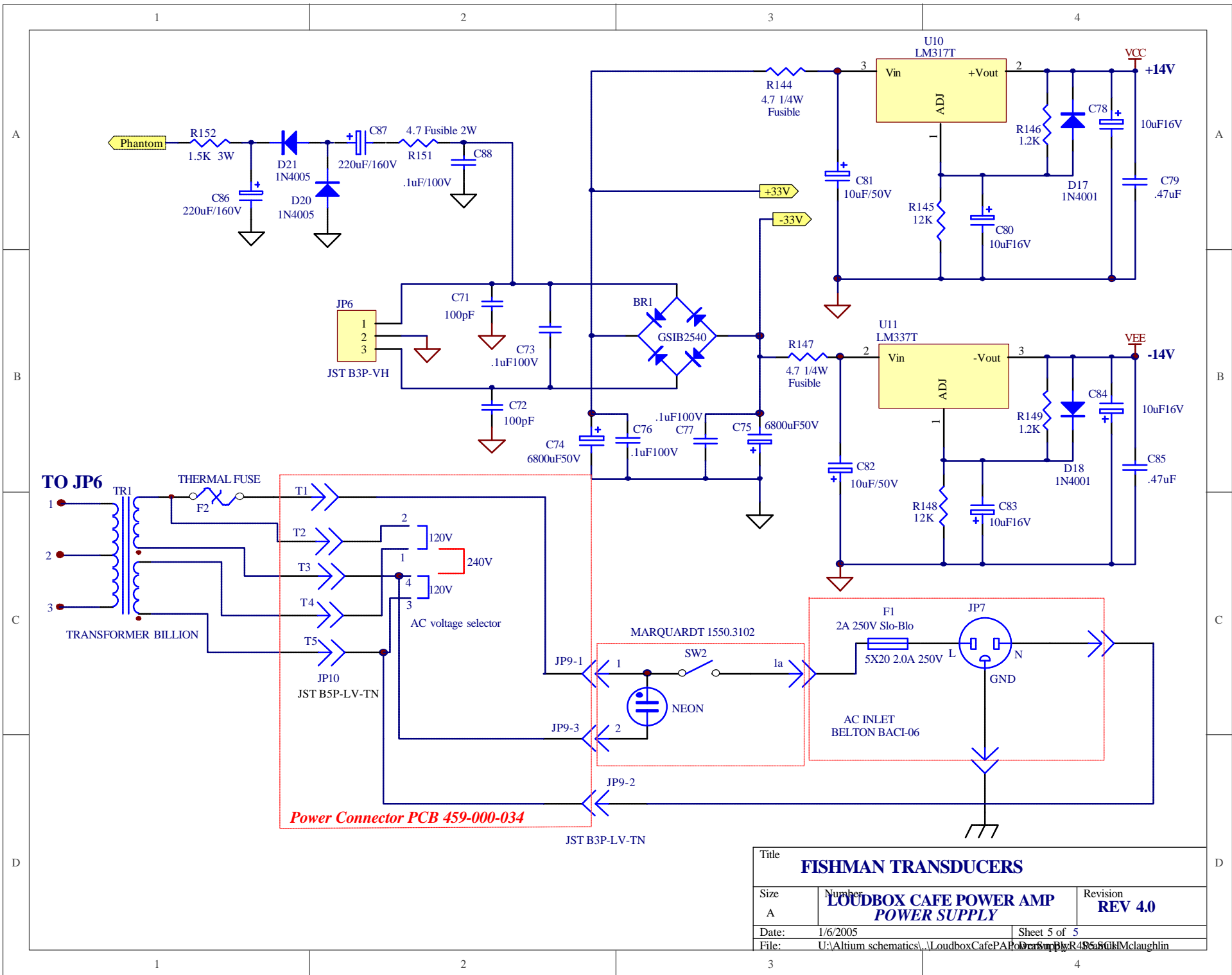
Title			FISHMAN TRANSDUCERS		
Size	Number	Revision			
B	LOUDBOX CAFE POWER AMP			REV 4.0	
	TWEETER OUTPUT				
Date:	1/6/2005	Sheet	3 of	5	
File:	U:\Album schematics\... Loudbox Cafe PAT Tweeter Rev 4.0.SchDoc\Seamus McLaughlin				



Title		
FISHMAN TRANSDUCERS		
Size	Number	Revision
B	LOUDBOX CAFE POWER AMP MIDRANGE OUTPUT	REV 4.0
Date:	1/6/2005	Sheet 3 of 5
File:	U:\Altium schematics\..._LoudboxCafePAMidrangeRev4.0.BrdDoc	



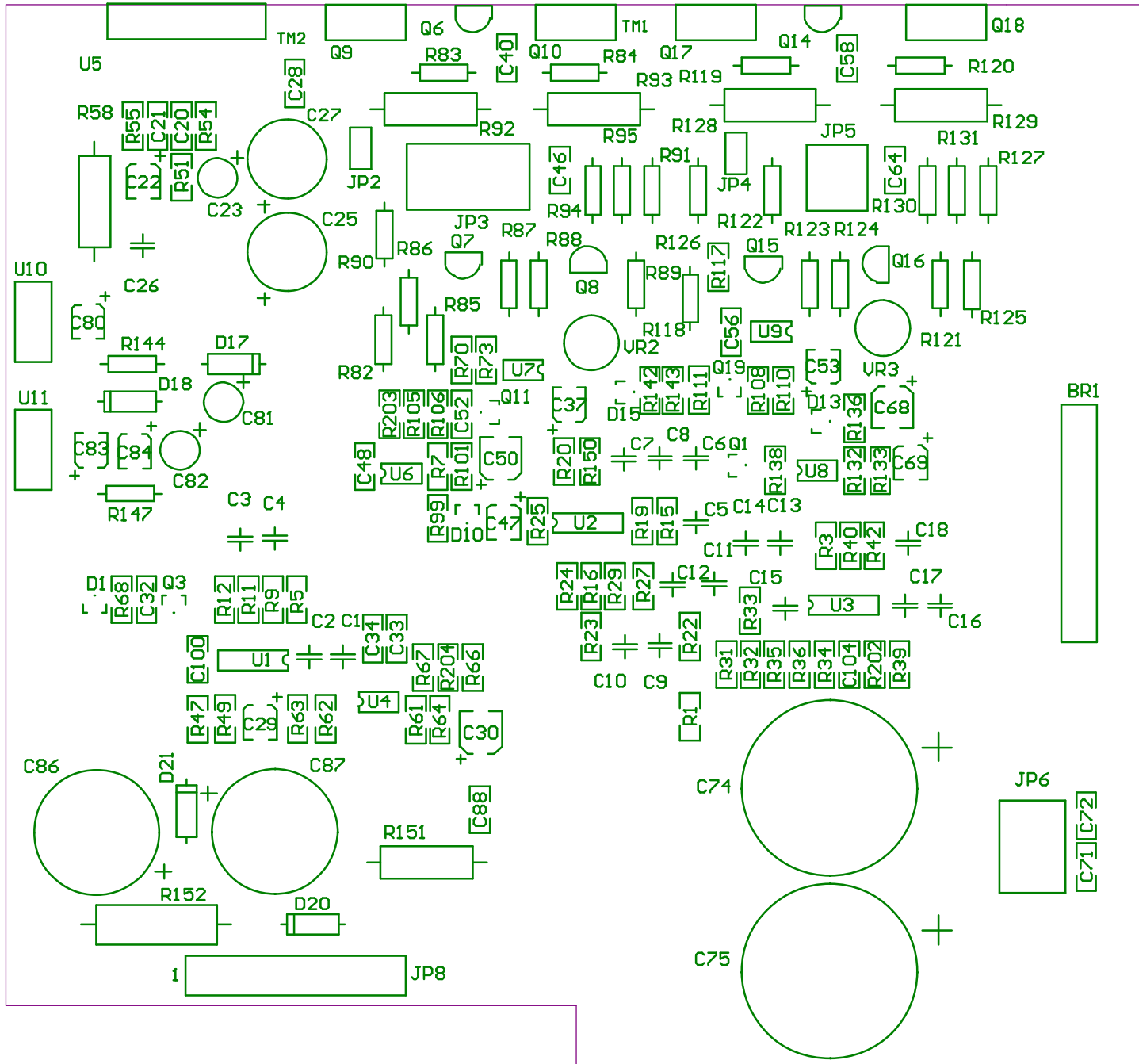
Title		
Size	Number	Revision
B	LOUDBOX CAFE POWER AMP BASS OUTPUT	REV 4.0
Date:	1/6/2005	Sheet 4 of 5
File:	U:\Album schematics\ Loudbox Cafe\PA Bass\4PA Bass.Brd - Seamus McLoughlin	



Title		
FISHMAN TRANSDUCERS		
Size	Number	Revision
A	LOUDBOX CAFE POWER AMP	REV 4.0
Date: 1/6/2005		Sheet 5 of 5
File: U:\Altium schematics\ Loudbox Cafe Power Supply R485808Mclaughlin		

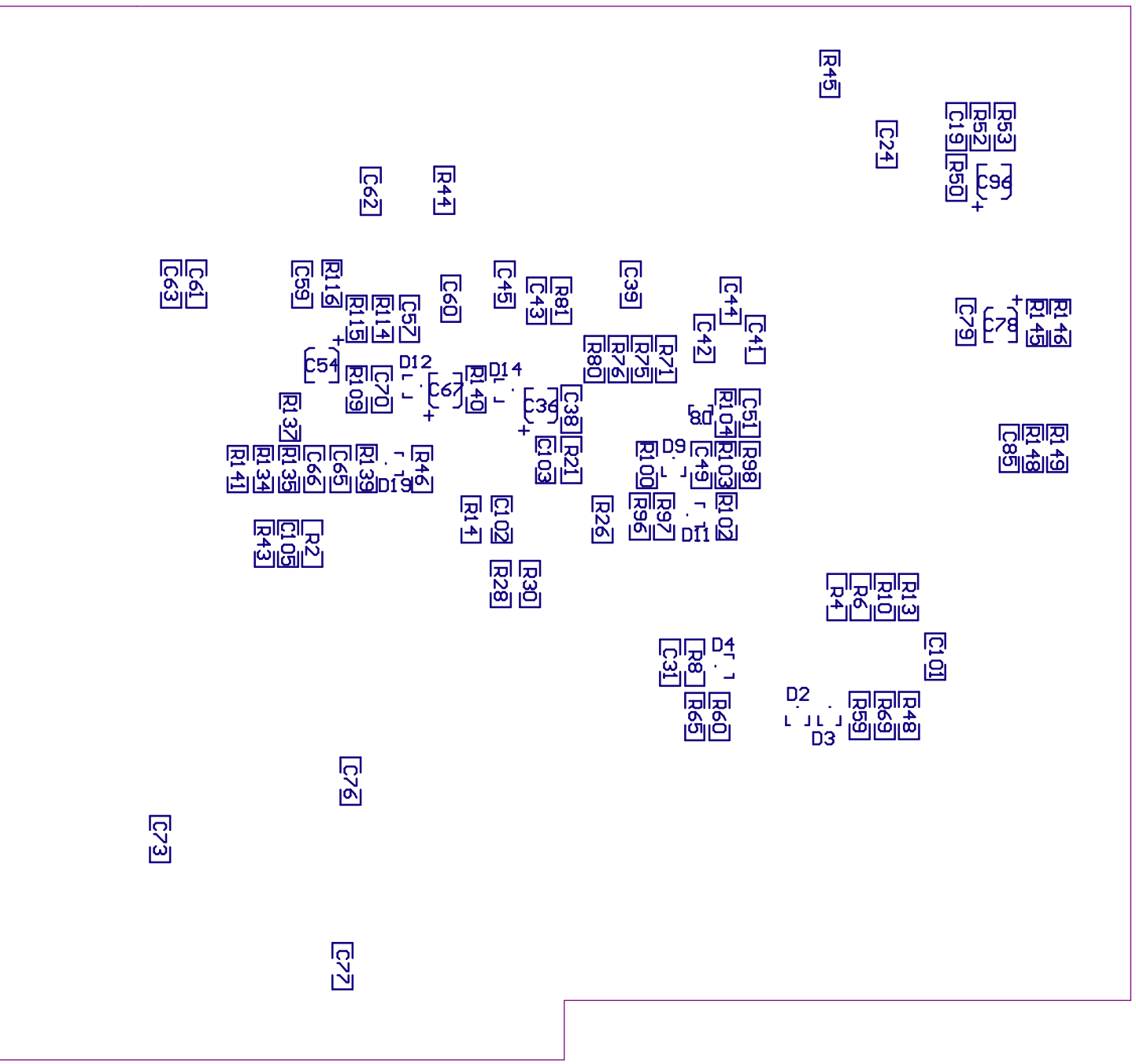
MATERIAL: .062 FR-4 3 OZ COPPER
GREEN SOLDERMASK

5700 (mil)



5300 (mil)

2500 (mil)



1000 (mil)