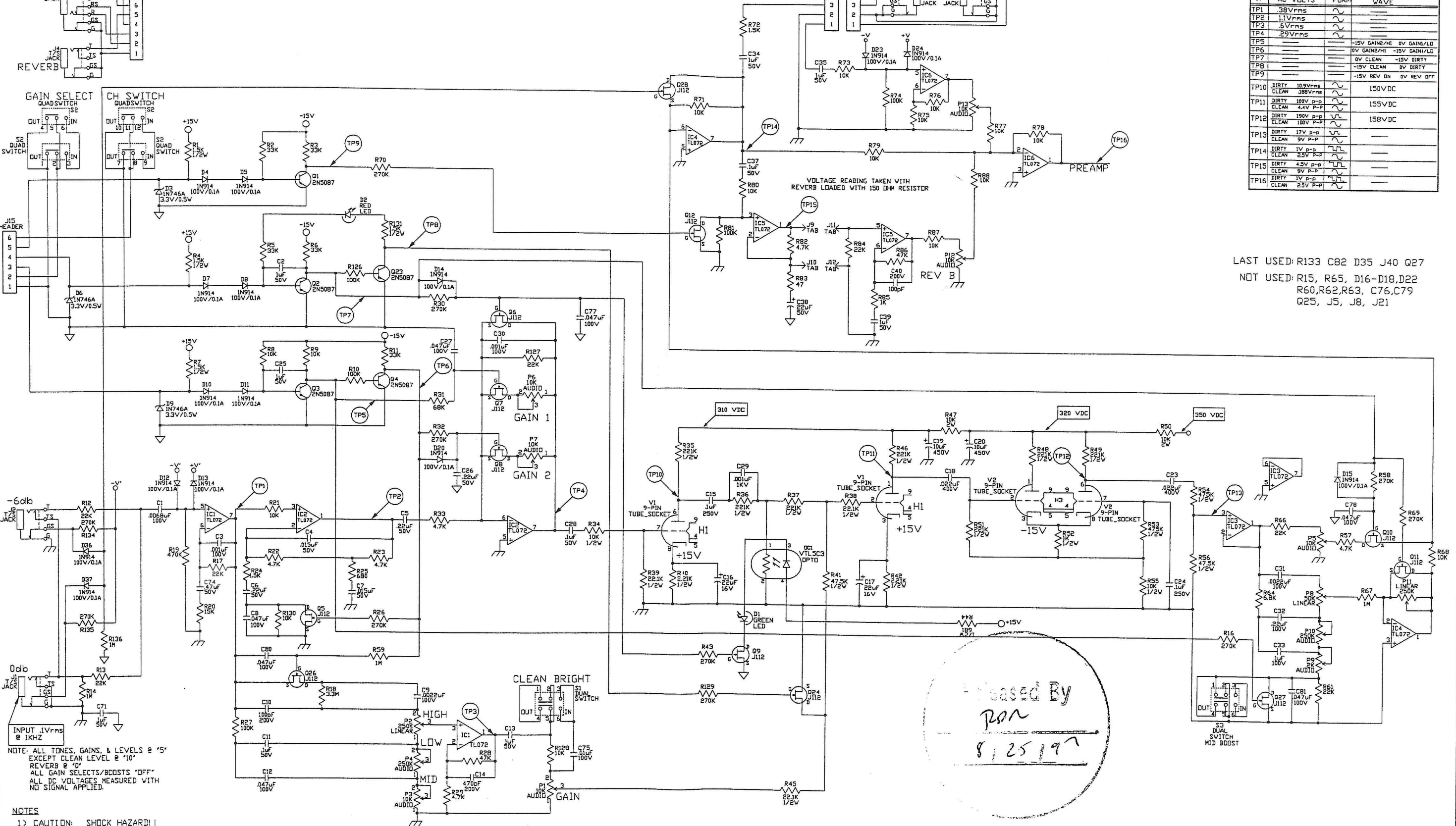


CH/GAIN SEL

GAIN SELECT

CH SWITCH



TP	AC VOLTS	FORM	DC VOLTS
TP1	.38Vrms		
TP2	1.1Vrms		
TP3	6Vrms		
TP4	29Vrms		
TP5			-15V GAIN2/HI 0V GAIN/LD
TP6			0V GAIN2/HI -15V GAIN/LD
TP7			0V CLEAN -15V DIRTY
TP8			-15V CLEAN 0V DIRTY
TP9			-15V REV ON 0V REV OFF
TP10	DIRTY 10.9Vrms CLEAN 1.88Vrms		150VDC
TP11	DIRTY 100V p-p CLEAN 4.4V p-p		155VDC
TP12	DIRTY 190V p-p CLEAN 100V p-p		158VDC
TP13	DIRTY 17V p-p CLEAN 9V p-p		
TP14	DIRTY 1V p-p CLEAN 25V p-p		
TP15	DIRTY 4.5V p-p CLEAN 9V p-p		
TP16	DIRTY 1V p-p CLEAN 25V p-p		

LAST USED: R133 C82 D35 J40 Q27  
 NOT USED: R15, R65, D16-D18, D22  
 R60, R62, R63, C76, C79  
 Q25, J5, J8, J21

NOTE: ALL TONES, GAINS, & LEVELS @ '5'  
 EXCEPT CLEAN LEVEL @ '10'  
 REVERB @ '0'  
 ALL GAIN SELECTS/BOOSTS 'OFF'  
 ALL DC VOLTAGES MEASURED WITH  
 NO SIGNAL APPLIED.

NOTES

- 1) CAUTION: SHOCK HAZARD!  
 THIS UNIT CONTAINS HAZARDOUS VOLTAGE. DISCONNECT POWER  
 AND BE SURE POWER SUPPLY IS DISCHARGED BEFORE  
 TOUCHING INTERNAL PARTS.
- 2) UNLESS NOTED, RESISTOR VALUES IN OHMS, 1/4W-5% TOL.  
 CAPACITOR VALUES IN MICROFARADS, 50V-10% TOL.
- 3) VOLTAGES ARE MEASURED WITH 1 MEGOHM OSCILLOSCOPE  
 AND 10 MEGOHM DIGITAL VOLTMETER.
- 4) CHASSIS GROUND  $\perp$  SIGNAL GROUND  $\nabla$  CIRCUIT GROUND  $\oplus$

CAUTION:  
 THIS SCHEMATIC IS PROVIDED FOR USE BY QUALIFIED  
 PERSONNEL TO AVOID RISK OF ELECTRICAL SHOCK. REFER  
 SERVICING TO QUALIFIED SERVICE PERSONNEL. DO NOT  
 PERFORM ANY SERVICING BEYOND THAT IN THE OPERATING  
 INSTRUCTIONS.

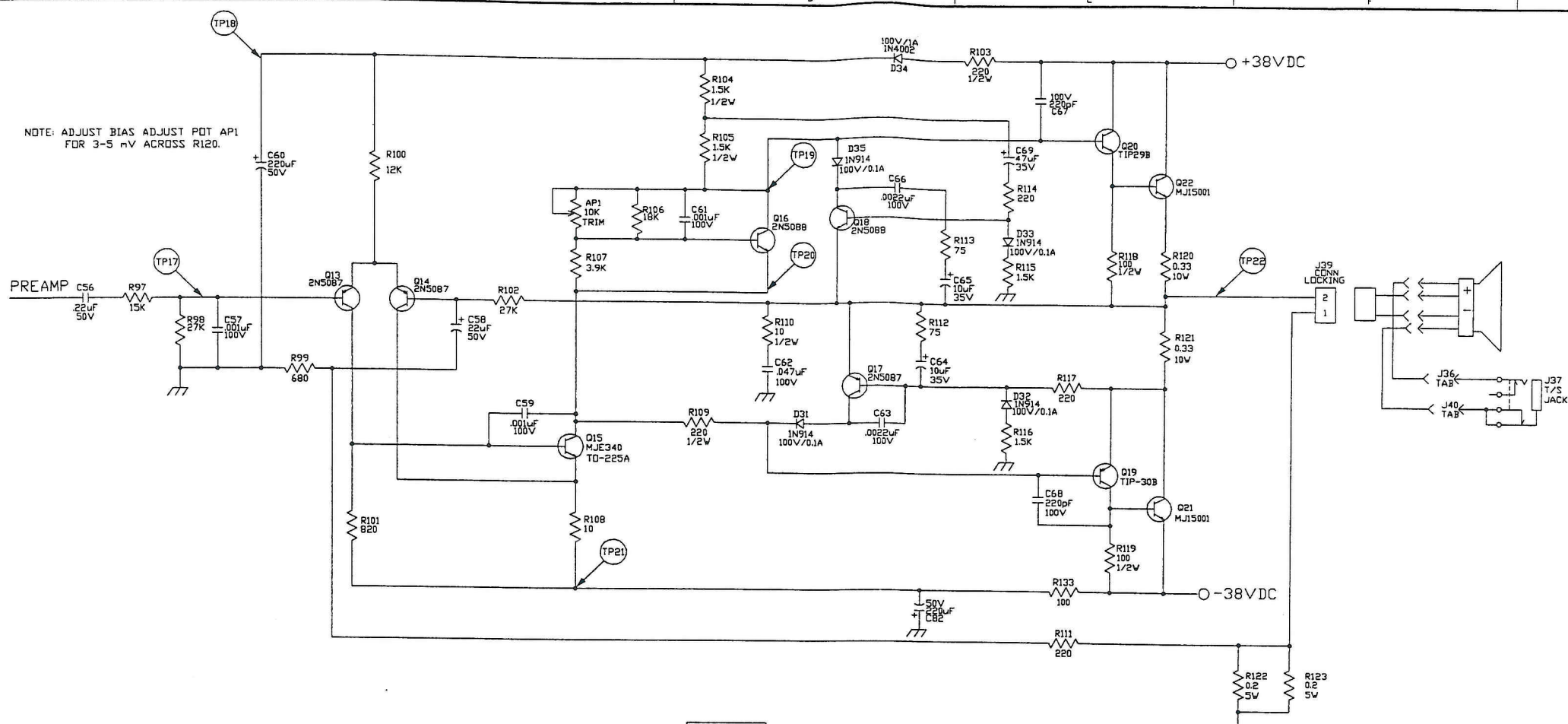
Revised By  
 RAN  
 8/25/97

REV	DATE	BY	CHK'D	DESCRIPTION
6				
5				
4	07/30/97	SWR		ADDED D36, D37, R134 thru R138, & Q28. PER ECO'S #970158 & 970389. (REDONE IN AUTOCAD)
3	02/26/97	REM	OK	VALUES CHG ADD CRCT PER E970097/-76
2	12/06/96	REM	OK	CHG'D J36, J40, TO 17-894-01 PER E960518
1	10/11/96	REM	OK	CHANGED C22, S1, S3 PER E960439

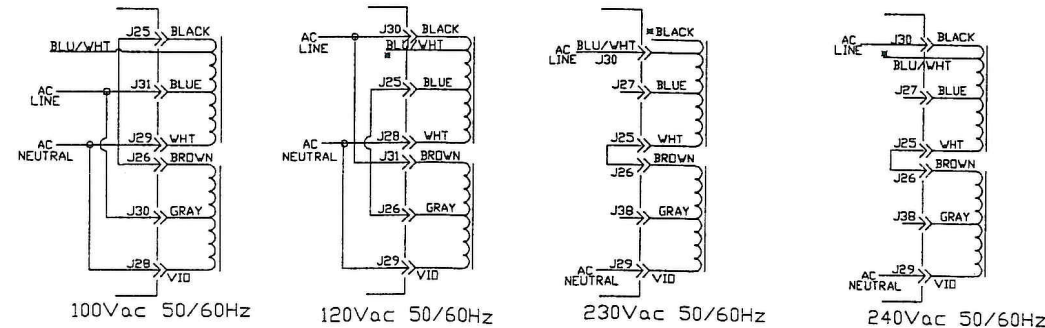
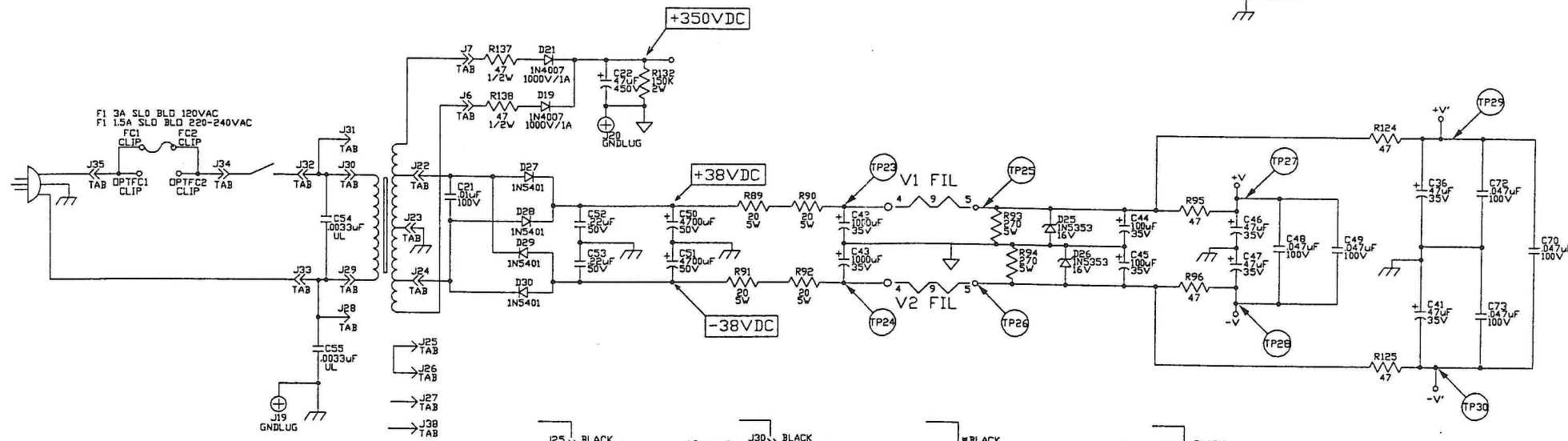
SIGNATURES:	DATE:	11880 BORMAN DR. ST. LOUIS, MISSOURI 63106
DRAWN: REM	08/08/96	
CHK'D: OK	08/09/96	PROJECT NAME: GXT-100 GUITAR AMP
APP'D: OK	08/09/96	DRAWING NAME: SCHEMATIC
ORIGINAL ISSUED:	09/25/96	DRAWING NO. 07S250-01 REV 4
PLOT DATE:	08/04/97	SCALE: 1:1 SHEET: 1 OF 2
PLOT TIME:	11:09:14	
FILE NAME:	25001H4	





NOTE: ADJUST BIAS ADJUST POT AP1 FOR 3-5 mV ACROSS R120.

TP	AC VOLTS	FORM	WAVE DC VOLTS
TP17	DIRTY .7V p-p CLEAN 1.6V p-p	[Sine wave]	---
TP18	---	---	33.6VDC
TP19	DIRTY 28V p-p CLEAN 68V p-p	[Sine wave]	.55VDC
TP20	DIRTY 28V p-p CLEAN 68V p-p	[Sine wave]	-633VDC
TP21	---	---	36.5VDC
TP22	DIRTY 26V p-p CLEAN 60V p-p	[Sine wave]	-60mVDC
TP23	12mV	[Sine wave]	31VDC
TP24	12mV	[Sine wave]	-31VDC
TP25	---	---	17VDC
TP26	---	---	-17VDC
TP27	---	---	16.4VDC
TP28	---	---	-16.4VDC
TP29	---	---	16.8VDC
TP30	---	---	-16.8VDC



- NOTES**
- 1) CAUTION: SHOCK HAZARD!! THIS UNIT CONTAINS HAZARDOUS VOLTAGE. DISCONNECT POWER AND BE SURE POWER SUPPLY IS DISCHARGED BEFORE TOUCHING INTERNAL PARTS.
  - 2) UNLESS NOTED, RESISTOR VALUES IN OHMS, 1/4W-5% TOL. CAPACITOR VALUES IN MICROFARADS, 50V-10% TOL.
  - 3) VOLTAGES ARE MEASURED WITH 1 MEGOHM OSCILLOSCOPE AND 10 MEGOHM DIGITAL VOLTMETER.
  - 4) CHASSIS GROUND  $\text{---}$  SIGNAL GROUND  $\text{---}$  CIRCUIT GROUND  $\text{---}$

**EXPORT WIRING**

TERMINATED IN A BOOT (NOT USED IN SOME MODELS)

CAUTION: THIS SCHEMATIC IS PROVIDED FOR USE BY QUALIFIED PERSONNEL. TO AVOID RISK OF ELECTRICAL SHOCK, REFER SERVICING TO QUALIFIED SERVICE PERSONNEL. DO NOT PERFORM ANY SERVICING BEYOND THAT IN THE OPERATING INSTRUCTIONS.

SEE SHEET 1 OF 2 FOR REVISION HISTORY

SIGNATURES:	DATE:	1980 BORMAN DR. ST. LOUIS, MISSOURI 63148
DRAWN: OK	09/26/96	
CHK'D: RM	09/25/96	PROJECT NAME:
APP'D: OK	09/25/96	GXT-100 GUITAR AMP
ORIGINAL ISSUED:	09/25/96	DRAWING NAME:
PLOT DATE:	08/04/97	SCHEMATIC
PLOT TIME:	11:09:14	DRAWING NO. 07S250-01
FILE NAME:	25001H4	SCALE: 1:1 SHEET: 2 OF 2