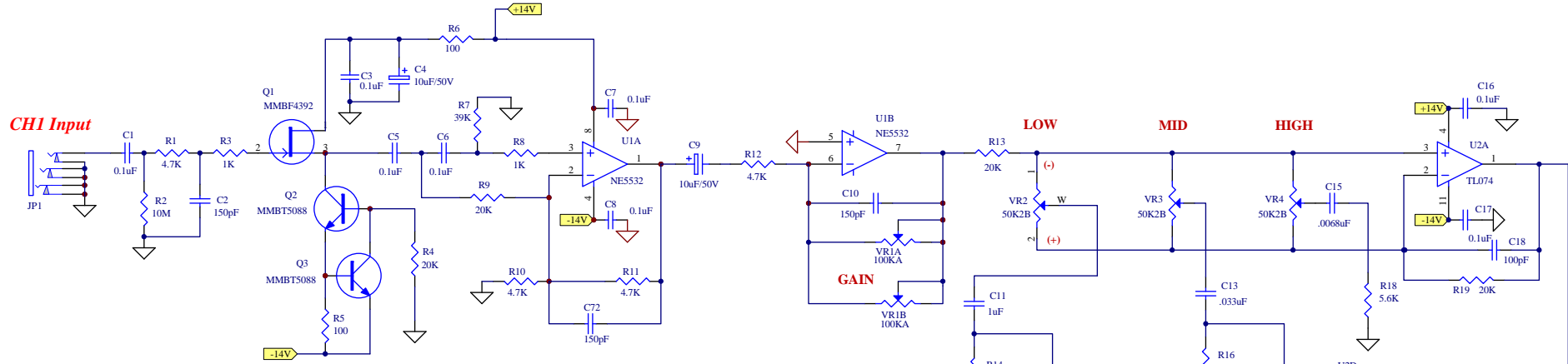
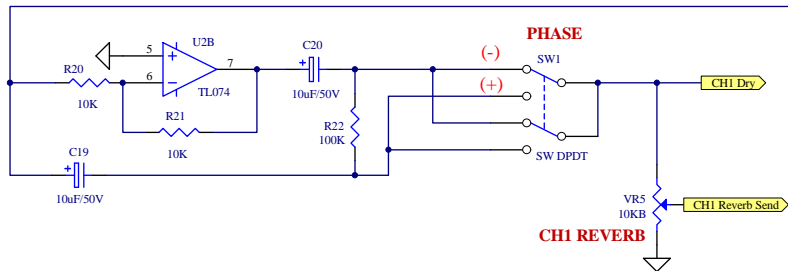


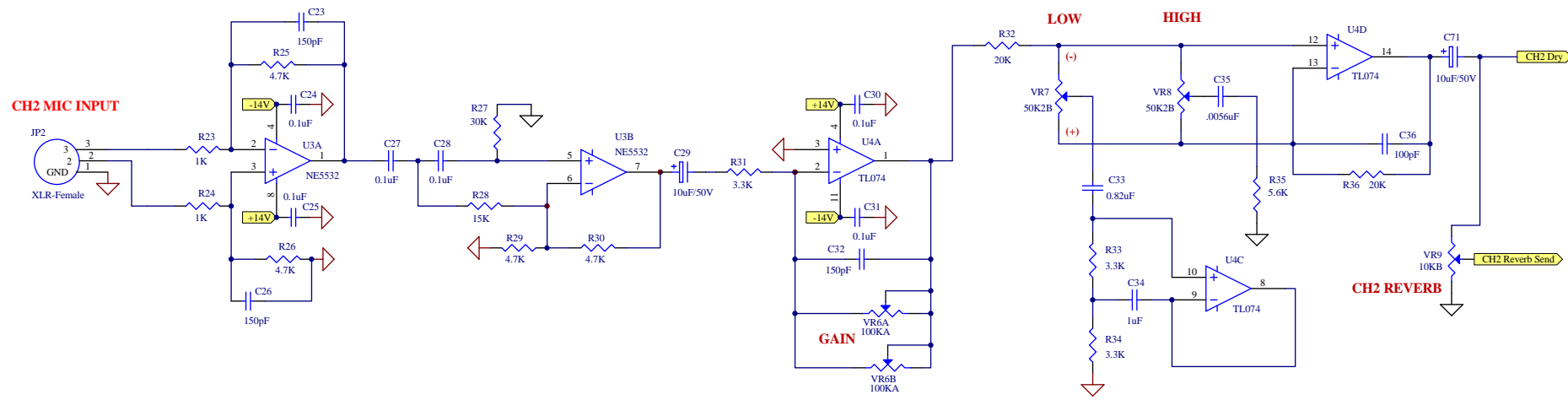
CH1 Input



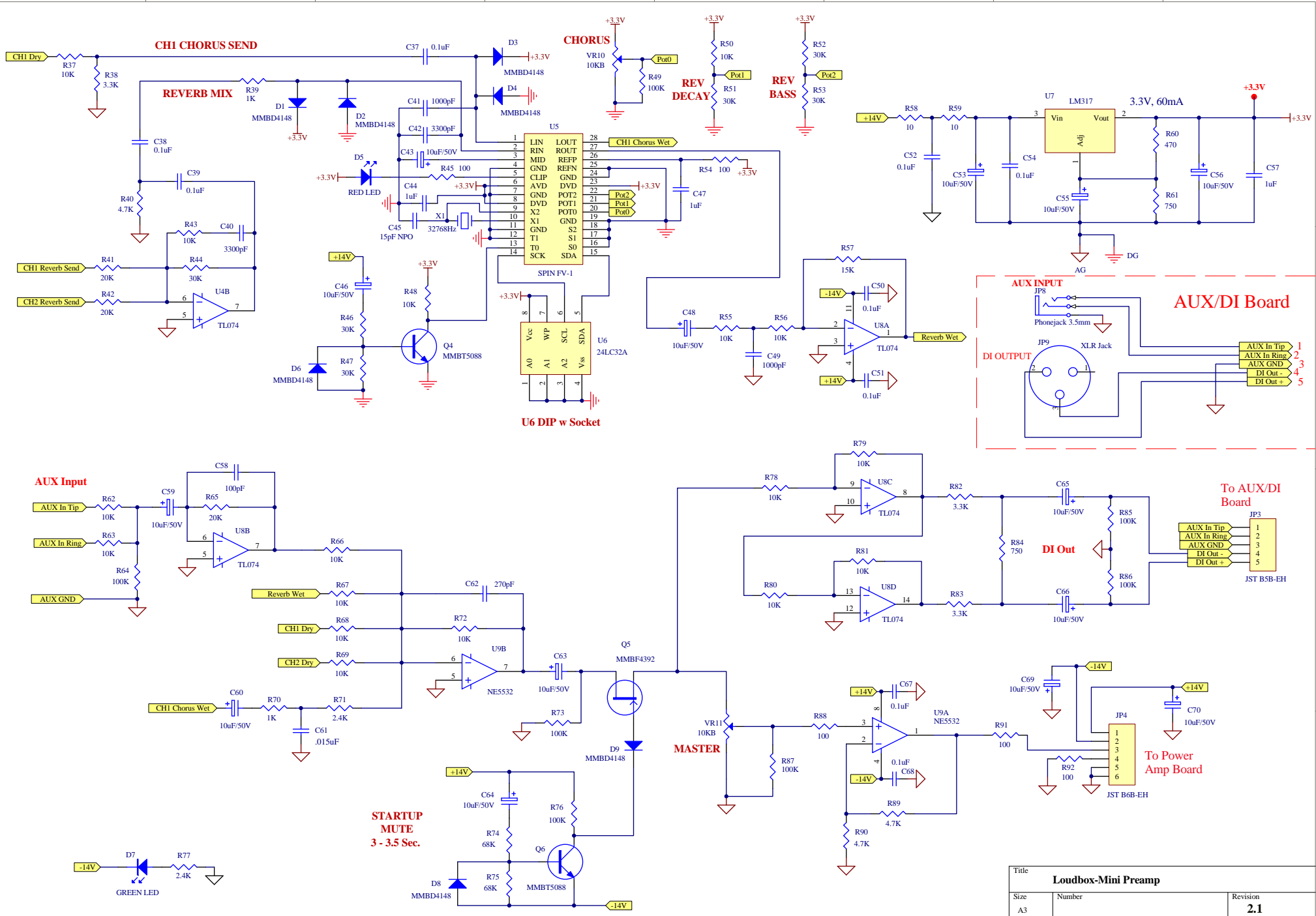
PHASE



CH2 MIC INPUT

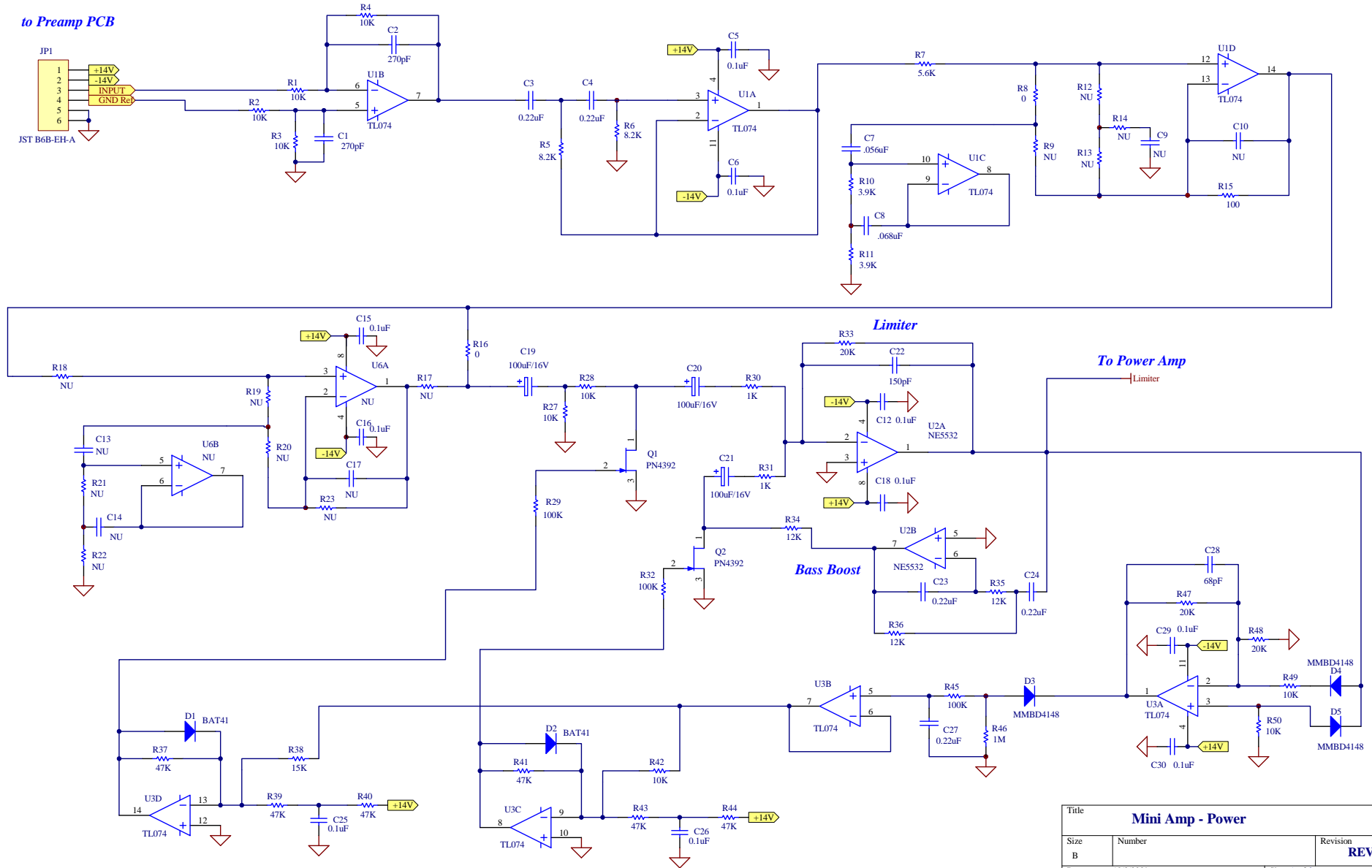


Title Loudbox-Mini Preamp			
Size A3	Number	Revision 2.1	
Date: 10/2/2009	Sheet 1 of 2		
File: \\.\Mini Amp Preamp Rev2.1 P1.SchDoc	Drawn By:		JOHN ECK

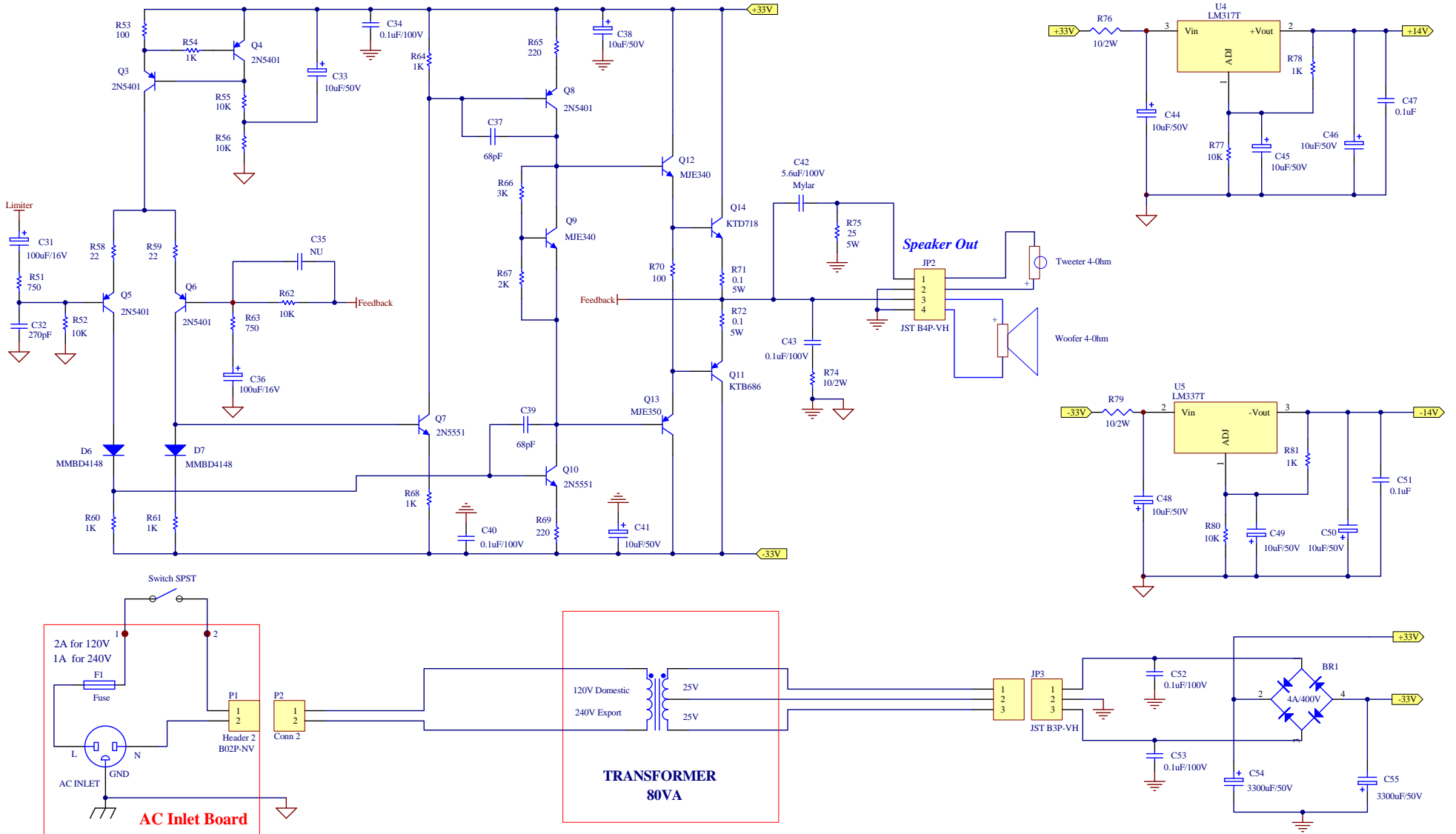


Title			Revision		
Loudbox-Mini Preamp			2.1		
Size	Number	Revision			
A3					
Date:	10/2/2009	Sheet 2 of 2		JOHN ECK	
File:	\\.\Mini Amp Preamp Rev2.1 P2.SchDoc		Drawn By:		

to Preamp PCB



Title		
Mini Amp - Power		
Size	Number	Revision
B		REV 5
Date:	10/2/2009	Sheet 1 of 2
File:	U:\Altium schematics\Mini Amp Power Rev 5.1.Brd	J. Eck

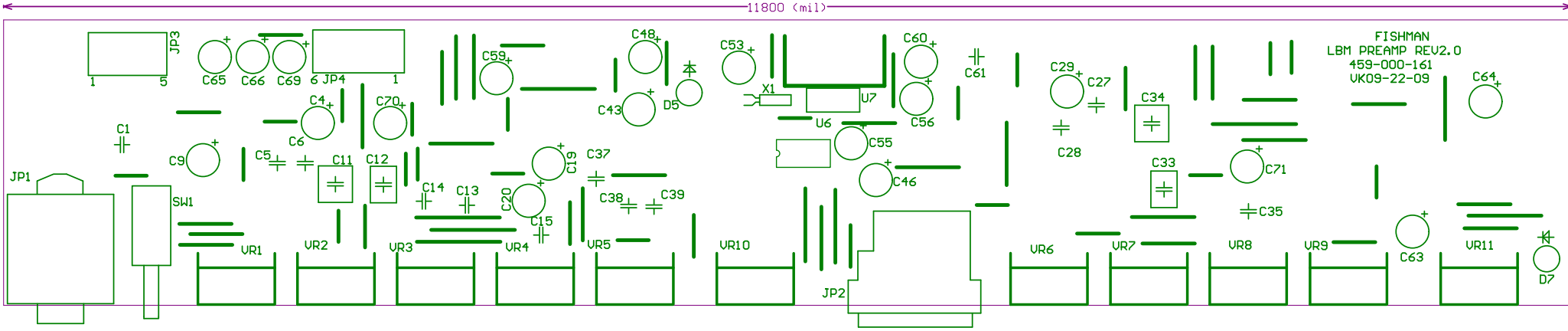


Title		
Mini Amp - Power		
Size	Number	Revision
B		REV 5
Date:	10/5/2009	Sheet 2 of 2
File:	U:\Altium schematics\Mini Amp Power Rev 5 B11.Doc	
		J. Eck

MATERIAL: CEM-1 THICKNESS 0.062 inch 1 LAYER 1 OZ COPPER
GREEN SOLDERMASK, BLACK SILKSCREEN

11800 (mil)

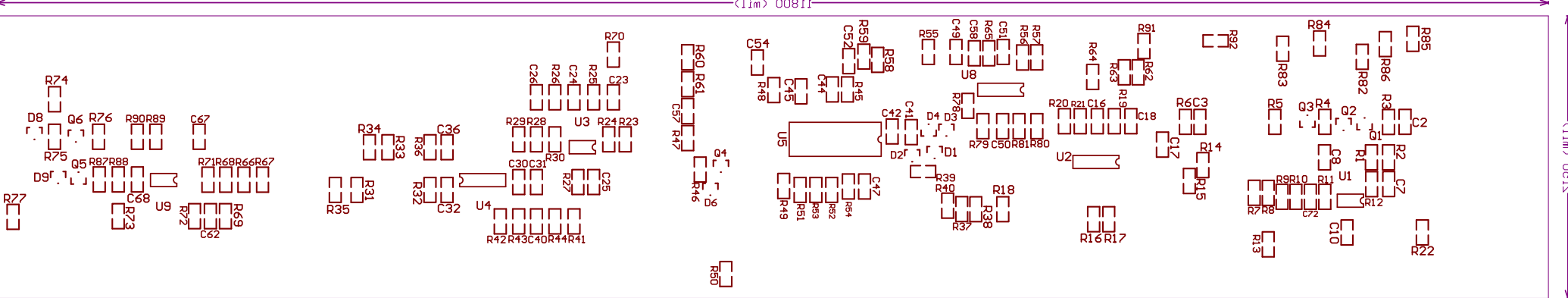
FISHMAN
LBM PREAMP REV2.0
459-000-161
UK09-22-09



2150 (mil)

D7

MATERIAL: CEM-1 THICKNESS 0.062 inch LAYER 1 OS COPPER
GREEN SOLDERMASK, BLACK SILKSCREEN, 11800 (mm)

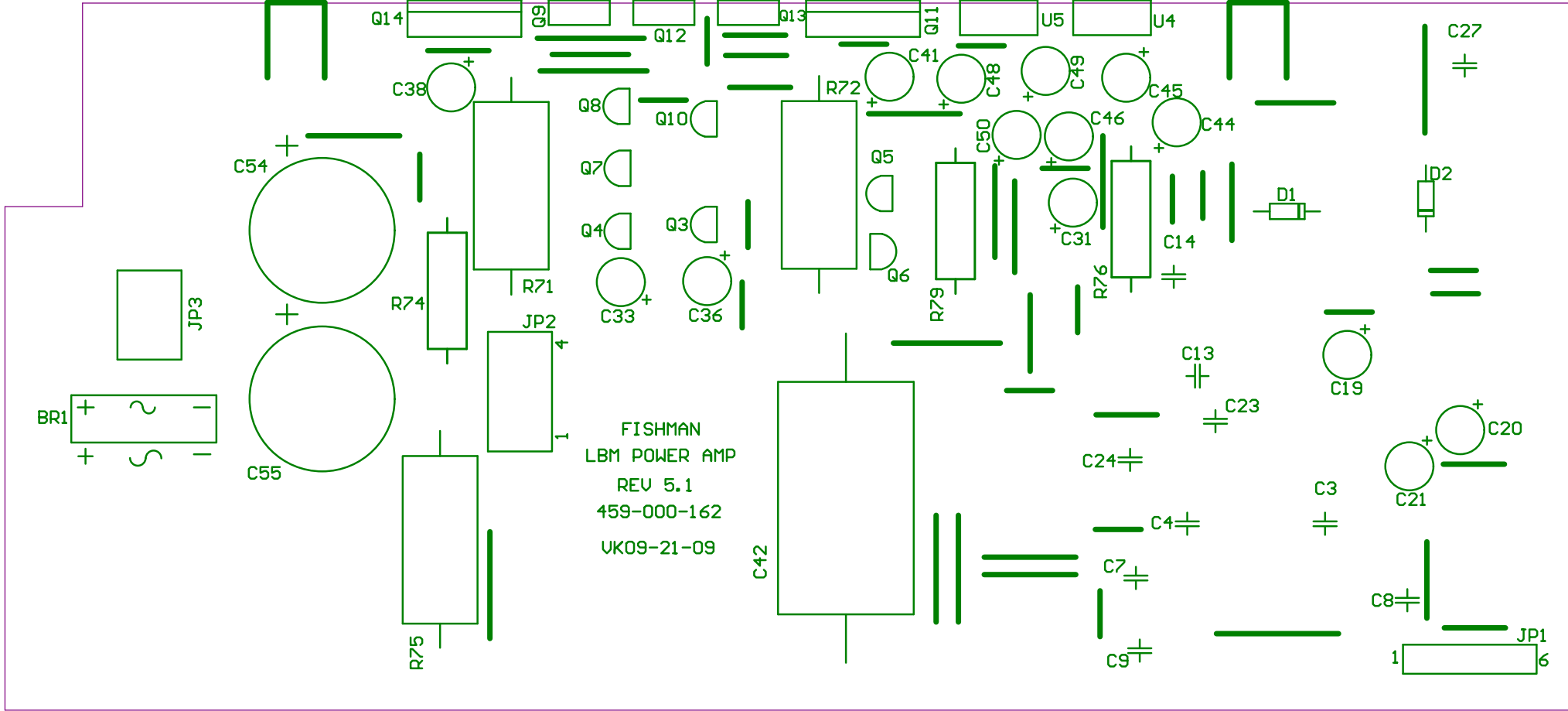


11800 (mm)

MATERIAL: CEM-1 THICKNESS 0.062 inch 1 LAYER 1 OZ COPPER
GREEN SOLDERMASK, BLACK SILKSCREEN

7960 (mil)

3650 (mil)



MATERIAL: CEM-1 THICKNESS 0.063 inch 1 LAYER 1 OS COPPER
GREEN SOLDERMASK, BLACK SILKSCREEN

2960 (mil)

02938 (Lim)

