

- CALIBRATION PROCEDURES**
1. Connect a 4 ohm load resistor capable of dissipating 250 watts to speaker output jack. Set Impedance Selector switch to 4 ohms.
  2. Input stage bias current adjustment. a) Adjust VR1 for -272 volts between TP 1 and ground. b) Adjust VR2 for zero 4.21 volts between TP 1 and TP 2.
  3. Phase inverter balance control adjustment. a) Remove distortion method. Drive amplifier to 20 volts RMS out at 40 Hz and correct distortion meter to load resistor, adjust VR3 for maximum distortion. b) Voltmeter method. Adjust output per step 2a and connect D meter between test points TP 1 and TP 2, adjust VR3 for zero voltage.

- NOTES**
- 1) THIS UNIT CONTAINS HAZARDOUS VOLTAGE. DISCONNECT FROM AC LINE BEFORE POWER SUPPLY IS DISCHARGED BEFORE YOU INTERNAL PARTS.
  - 2) PLEASE NOTE, RESISTOR VALUES IN OHMS, 1/4W-OR 1/2W CAPACITOR VALUES IN MICROFARADS, 50V-OR 100V.
  - 3) VOLTAGES ARE MEASURED WITH 1 MEGOHM OSCILLOSCOPE AND IN RESUME INITIAL VOLTAGES. VOLTS IN RECTANGLES ARE RMS SIGNAL VOLTAGES WITH 0.2V SINCE @ 40 HZ. OTHER VOLTAGES ARE DC WITH NO SIGNAL.

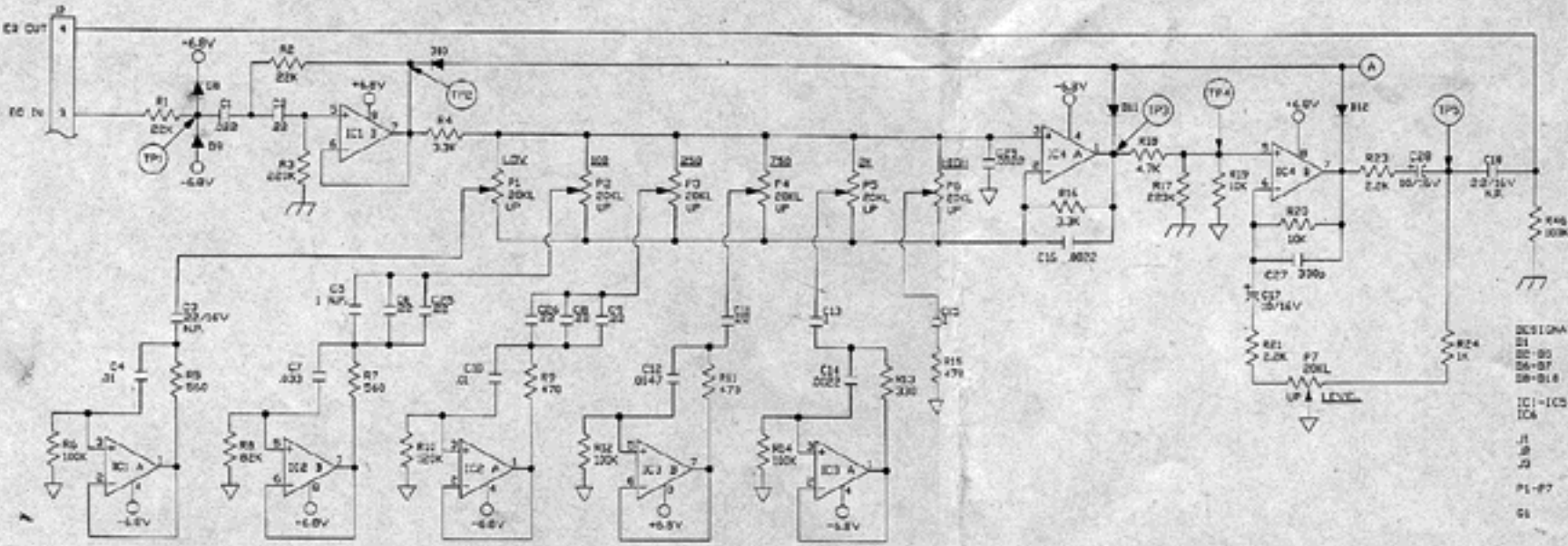
**CAUTION:**  
THIS SCHEMATIC IS PROVIDED FOR USE BY QUALIFIED PERSONNEL TO AVOID RISK OF ELECTRIC SHOCK, REFER CONSULTING TO QUALIFIED PERSONNEL. DO NOT PERFORM ANY REPAIRS OR MODIFICATIONS THAT EXPLAINED IN THE OPERATING INSTRUCTIONS.

**PARTIAL PARTS LIST #07-410-01**

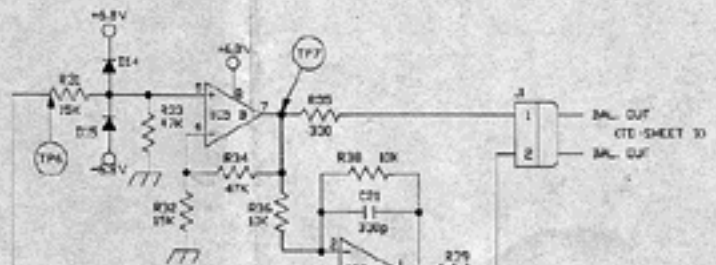
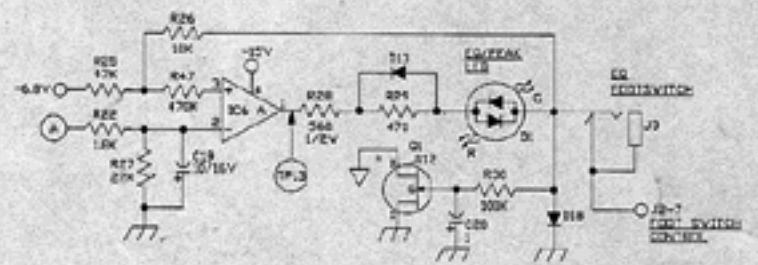
DESIGNATION	DESCRIPTION	SLM PART #
M	10A7T	10-127-01
13-45	10A7T	10-116-01
14-V8	6153	10-630-01
P1-P2	50K	10-502-00
P4	100 MΩ	10-101-02
V-1	1/4" JACK	20-118-01
V-2	SLM MALL	20-200-01
V-3	1/4" JACK	20-118-01
J1-J2	5 PIN JACK	20-403-01
J3	3 PIN JACK	17-211-01
J4	4 PIN JACK	17-211-01
J5	2 PIN JACK	17-211-01
J6	5 PIN SOCKET	17-400-01
J7	5 PIN SOCKET	17-400-01
J8	5 PIN SOCKET	17-400-01
Q1	HEX STANOFF	80-089-01
Q2	HEX STANOFF	80-113-01

ORIG. DAN-7/24/89  
 VERS. DRAWN BY CHECKED BY APPR.  
 PAGE # 3 OF 3 DRAWING # 16-4

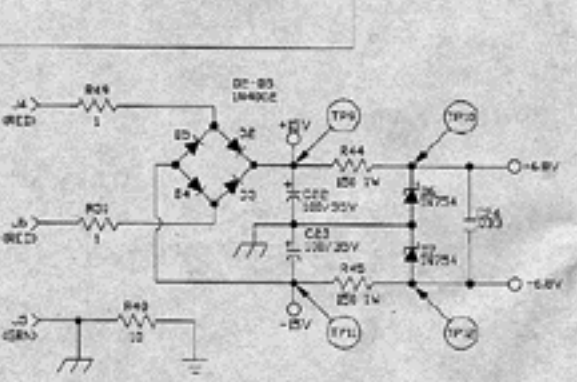
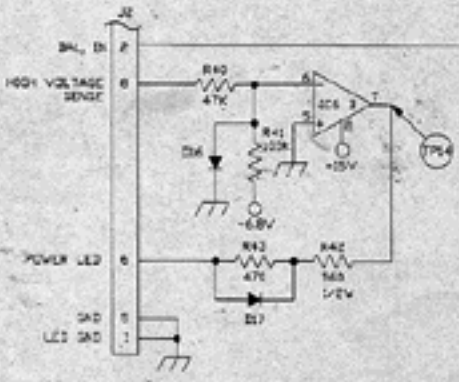
DESCRIPTION: SVT-II PWR-AMP SC  
**SLM ELECTRONICS**  
 11880 BORMAN DR.  
 ST. LOUIS, MO 63146



DESIGNATOR	DESCRIPTION	SLM PART #
R1	LED, RED-GREEN	21-590-01
IC1-IC5	ICM4558	37-458-01
IC6	NE5532	37-532-01
J1	2 PIN HEADER	17-311-02
J2	8 PIN HEADER	17-311-08
J3	1/4" JACK	99-112-01
F1-F7	20K POT	75-203-01
G1	J112	96-112-01



- NOTES**
- THIS UNIT CONTAINS HIGH-VOLTAGE. DISCONNECT POWER AND BE SURE POWER SUPPLY IS DISCHARGED BEFORE TOUCHING INTERNAL PARTS.
  - UNLESS NOTED, RESISTOR VALUES IN OHMS, 1/4W-5% TOL. CAPACITOR VALUES IN MICROFARADS, DIV-100 TOL.
  - VOLTAGES ARE MEASURED WITH 1 MEGOHM OSCILLOSCOPE AND 10 MEGOHM DIGITAL VOLTMETER.
  - CIRCUIT GROUND  $\perp$  SWITCHES GROUND  $\oplus$  CHASSIS GROUND  $\oplus$



TEST POINTS	VOLTAGE V p-p	VOLTAGE VDC
1	1.5	0
2	1.5	0
3	1.5	0
4	.5 EQ OFF	0
	.20 EQ ON	0
5	1.5	0
6	1.5	0
7	1.5	0
8	1.5	0
9	---	+1.5
10	---	+6.8
11	---	+1.5
12	---	-6.8
13	---	-1.4
14	W/ 3 @ TP1	+1.4
	---	1.4 (20)
	---	+1.4 (20MΩ)

**CONNECTIONS**  
 VOLTAGES ARE MEASURED WITH  
 1. 1 MEGOHM OSCILLOSCOPE  
 2. 10 MEGOHM DIGITAL VOLTMETER  
 3. 1/4" JACK  
 4. 1/4" JACK  
 5. 1/4" JACK

ORG. MOA 7/19/89	gm	gm
VERS. DRAWN BY	CHECKED BY	APPROVED BY
PAGE # 2 OF 3	DRAWING # 16-414-01	
DESCRIPTION: SVT-II GRAPHIC EQ		

**SLM ELECTRONICS**  
 11800 BORMAN DR.  
 ST. LOUIS, MO 63146