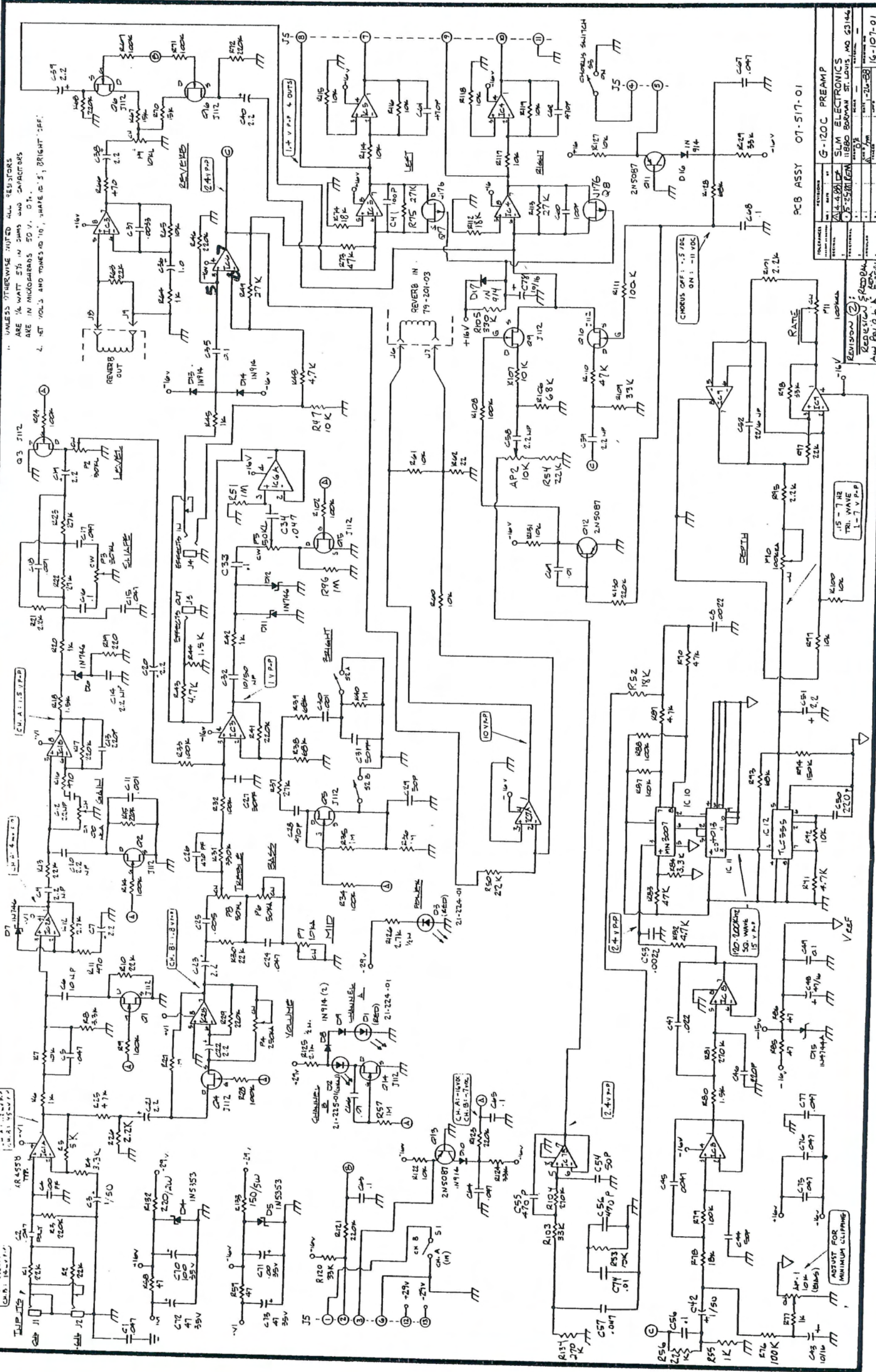


NEW VERSION

- 1. UNLESS OTHERWISE NOTED ALL RESISTORS ARE 1/4 WATT 5% IN DIMS AND MANUFACTURE ARE IN MICROHMS FD.V. 07.
- 2. NET VOLTS AND TONES TO '10', MAKE TO '5', BRIGHT 'OFF'.



Schematic provided for use by qualified service personnel only.

CAUTION: These servicing instructions are for use by qualified personnel only. To avoid electric shock, do not perform any servicing other than that contained in the operating instructions. Refer servicing to qualified service personnel.

1. UNLESS OTHERWISE NOTED ALL RESISTORS ARE 1/4 WATT 5% IN OHMS AND ALL CAPACITORS ARE 50 VDC IN MICROFARADS.
2. AT TUNING SET AP-1(2) FOR APPROX 0-V D.C. ACROSS R20 OR R21 (R50 OR R51) WITH NO LOAD AT OUTPUTS.
3. D.C. VOLTAGE MEASUREMENTS ARE WITH NO SIGNAL.

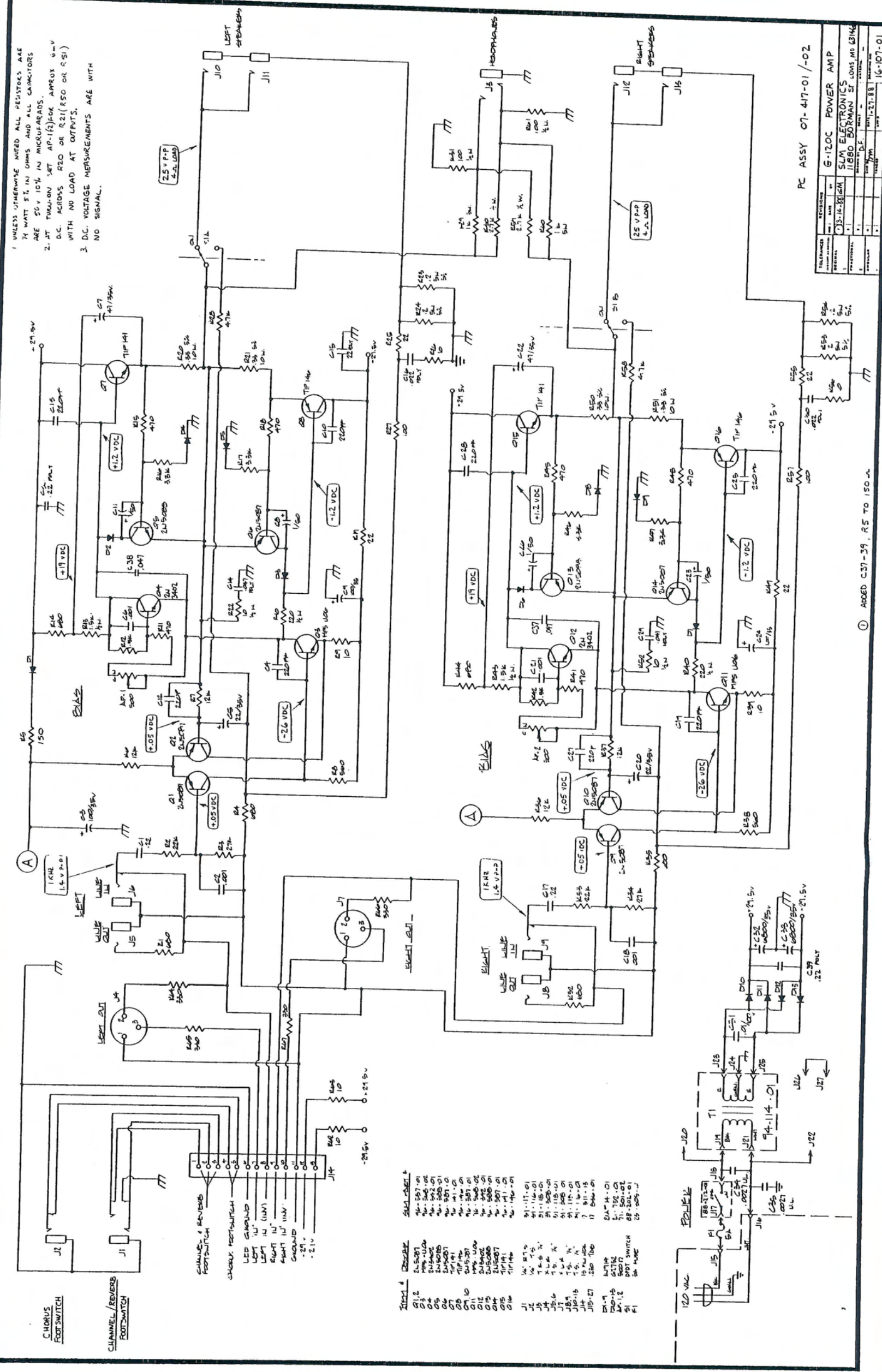


TABLE 1

Part	Description	Part	Description
R12	5K	6X4	6X4
R13	5K	6X4	6X4
R14	5K	6X4	6X4
R15	5K	6X4	6X4
R16	5K	6X4	6X4
R17	5K	6X4	6X4
R18	5K	6X4	6X4
R19	5K	6X4	6X4
R20	5K	6X4	6X4
R21	5K	6X4	6X4
R22	5K	6X4	6X4
R23	5K	6X4	6X4
R24	5K	6X4	6X4
R25	5K	6X4	6X4
R26	5K	6X4	6X4
R27	5K	6X4	6X4
R28	5K	6X4	6X4
R29	5K	6X4	6X4
R30	5K	6X4	6X4
R31	5K	6X4	6X4
R32	5K	6X4	6X4
R33	5K	6X4	6X4
R34	5K	6X4	6X4
R35	5K	6X4	6X4
R36	5K	6X4	6X4
R37	5K	6X4	6X4
R38	5K	6X4	6X4
R39	5K	6X4	6X4
R40	5K	6X4	6X4
R41	5K	6X4	6X4
R42	5K	6X4	6X4
R43	5K	6X4	6X4
R44	5K	6X4	6X4
R45	5K	6X4	6X4
R46	5K	6X4	6X4
R47	5K	6X4	6X4
R48	5K	6X4	6X4
R49	5K	6X4	6X4
R50	5K	6X4	6X4
R51	5K	6X4	6X4
R52	5K	6X4	6X4
R53	5K	6X4	6X4
R54	5K	6X4	6X4
R55	5K	6X4	6X4
R56	5K	6X4	6X4
R57	5K	6X4	6X4
R58	5K	6X4	6X4
R59	5K	6X4	6X4
R60	5K	6X4	6X4
R61	5K	6X4	6X4
R62	5K	6X4	6X4
R63	5K	6X4	6X4
R64	5K	6X4	6X4
R65	5K	6X4	6X4
R66	5K	6X4	6X4
R67	5K	6X4	6X4
R68	5K	6X4	6X4
R69	5K	6X4	6X4
R70	5K	6X4	6X4
R71	5K	6X4	6X4
R72	5K	6X4	6X4
R73	5K	6X4	6X4
R74	5K	6X4	6X4
R75	5K	6X4	6X4
R76	5K	6X4	6X4
R77	5K	6X4	6X4
R78	5K	6X4	6X4
R79	5K	6X4	6X4
R80	5K	6X4	6X4
R81	5K	6X4	6X4
R82	5K	6X4	6X4
R83	5K	6X4	6X4
R84	5K	6X4	6X4
R85	5K	6X4	6X4
R86	5K	6X4	6X4
R87	5K	6X4	6X4
R88	5K	6X4	6X4
R89	5K	6X4	6X4
R90	5K	6X4	6X4
R91	5K	6X4	6X4
R92	5K	6X4	6X4
R93	5K	6X4	6X4
R94	5K	6X4	6X4
R95	5K	6X4	6X4
R96	5K	6X4	6X4
R97	5K	6X4	6X4
R98	5K	6X4	6X4
R99	5K	6X4	6X4
R100	5K	6X4	6X4

PC ASSY 07-417-01/-02

REV	DATE	BY	DESCRIPTION
1			INITIAL RELEASE
2			REVISION
3			REVISION
4			REVISION
5			REVISION
6			REVISION
7			REVISION
8			REVISION
9			REVISION
10			REVISION
11			REVISION
12			REVISION
13			REVISION
14			REVISION
15			REVISION
16			REVISION
17			REVISION
18			REVISION
19			REVISION
20			REVISION
21			REVISION
22			REVISION
23			REVISION
24			REVISION
25			REVISION
26			REVISION
27			REVISION
28			REVISION
29			REVISION
30			REVISION
31			REVISION
32			REVISION
33			REVISION
34			REVISION
35			REVISION
36			REVISION
37			REVISION
38			REVISION
39			REVISION
40			REVISION
41			REVISION
42			REVISION
43			REVISION
44			REVISION
45			REVISION
46			REVISION
47			REVISION
48			REVISION
49			REVISION
50			REVISION

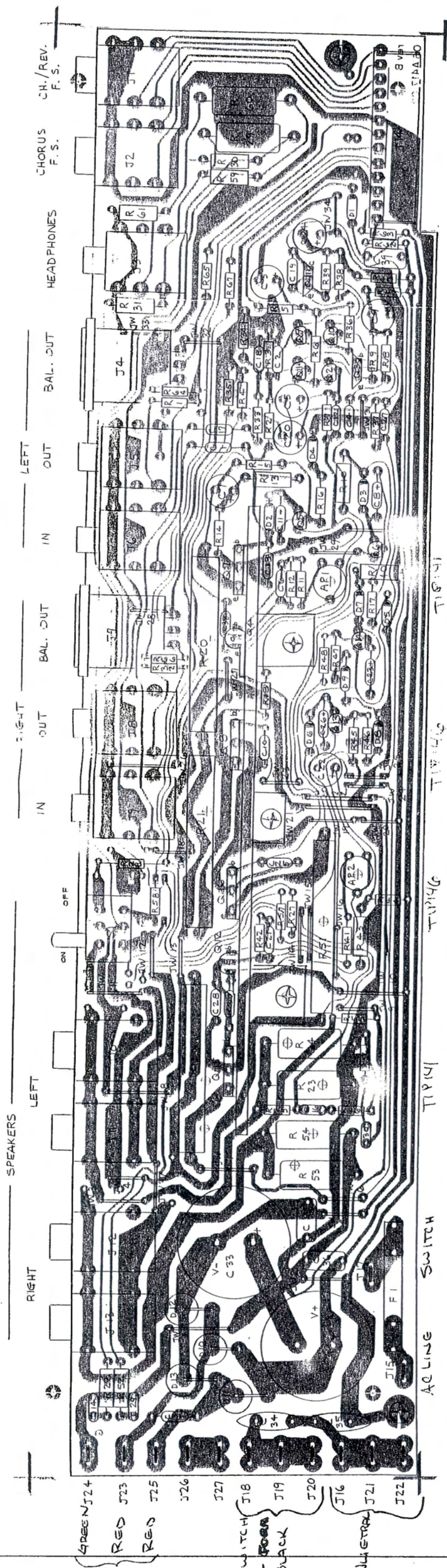
Schematic provided for use by qualified service personnel only.

CAUTION: These servicing instructions are for use by qualified personnel only. To avoid electric shock, do not perform any servicing other than that contained in the operating instructions. Refer servicing to qualified service personnel.

① ADDED C37-C39, R5 TO 150V

6-TUBE POWER AMP

SUN ELECTRONICS
11880 BORMAN ST. LOUIS, MO 63142



ITEM	DESCRIPTION	PART NO.	ITEM	DESCRIPTION	PART NO.
R1	680	76-601-01	R57	100	76-101-01
R2	22K	76-223-01	R58	4.7K	76-472-01
R3	27K	76-273-01	R59	2.7K 1/2W	77-272-01
R4	150	76-153-01	R60	1K 5W	78-102-05
R5	150	76-153-01	R61	100 1/2W	78-102-05
R6	12K	76-123-01	R62	10	76-100-01
R7	12K	76-123-01	R63	10	76-100-01
R8	560	76-561-01	R64	330	76-331-01
R9	10	76-100-01	R65	330	76-331-01
R10	220 1/2W	77-221-01	R66	330	76-331-01
R11	10	76-100-01	R67	330	76-331-01
R12	1.5K 1/2W	77-151-01	C1	.22	10A224-01
R13	1.5K 1/2W	77-151-01	C2	.001	10A102-11
R14	680	76-681-01	C3	100/35V	12-107-32
R15	470	76-471-01	C4	200P	10A221-11
R16	3.3K	76-332-01	C5	22/35V	12-226-32
R17	3.3K	76-332-01	C6	47/35V	12-476-32
R18	470	76-471-01	C7	47/35V	12-476-32
R19	22	76-220-01	C8	1.0	12A105-51
R20	.33 10W	78-330-10	C9	100/35V	12-107-32
R21	.33 10W	78-330-10	C10	200P	10A221-11
R22	10 1/2W	77-100-01	C11	1.0	12A105-51
R23	2	76-200-05	C12	200P	10A221-11
R24	2	76-200-05	C13	200P	10A221-11
R25	22	76-220-01	C14	.047 POLY	10-473-03
R26	10	76-100-01	C15	.22 POLY	10-223-02
R27	100	76-101-01	C16	.022 POLY	10-223-02
R28	4.7K 5W	76-472-01	C17	.22	10A224-01
R29	3.7K 1/2W	76-371-01	C18	501	10A102-11
R30	3.7K 1/2W	76-371-01	C19	501	10A102-11
R31	100 1/2W	77-101-01	C20	22/35V	12-226-32
R32	680	76-681-01	C21	.001	10A102-11
R33	22K	76-223-01	C22	1.0	12-476-32
R34	27K	76-273-01	C23	1.0	12A105-51
R35	680	76-681-01	C24	100/35V	12-107-32
R36	12K	76-123-01	C25	200P	10A221-11
R37	12K	76-123-01	C26	200P	10A221-11
R38	560	76-561-01	C27	220P	10A221-11
R39	10	76-100-01	C28	220P	10A221-11
R40	220 1/2W	77-221-01	C29	.047 POLY	10-473-03
R41	470	76-471-01	C30	.022 POLY	10-223-02
R42	1.5K 1/2W	76-152-01	C31	.01/100V	10A103-11
R43	1.5K 1/2W	76-152-01	C32	6800/35V	12-680-32
R44	680	76-681-01	C33	6800/35V	12-680-32
R45	470	76-471-01	C34	.0027 U.L.L.	10-272-01
R46	3.3K	76-332-01	C35	.0027 U.L.L.	10-272-01
R47	3.3K	76-332-01	C36	.22 POLY	10-224-03
R48	20	76-200-05	C37	.047	10A473-11
R49	20	76-200-05	C38	.047	10A473-11
R50	25 10W	78-250-10	C39	.22 POLY	10-224-03
R51	.33 10W	78-330-10	C40	.22 POLY	10-224-03
R52	10 1/2W	77-100-01	C41	.22 POLY	10-224-03
R53	.2 5W	78-200-05	C42	.22 POLY	10-224-03
R54	.2 5W	78-200-05	C43	.22 POLY	10-224-03
R55	.2 5W	78-200-05	C44	.22 POLY	10-224-03
R56	10	76-100-01	C45	.22 POLY	10-224-03

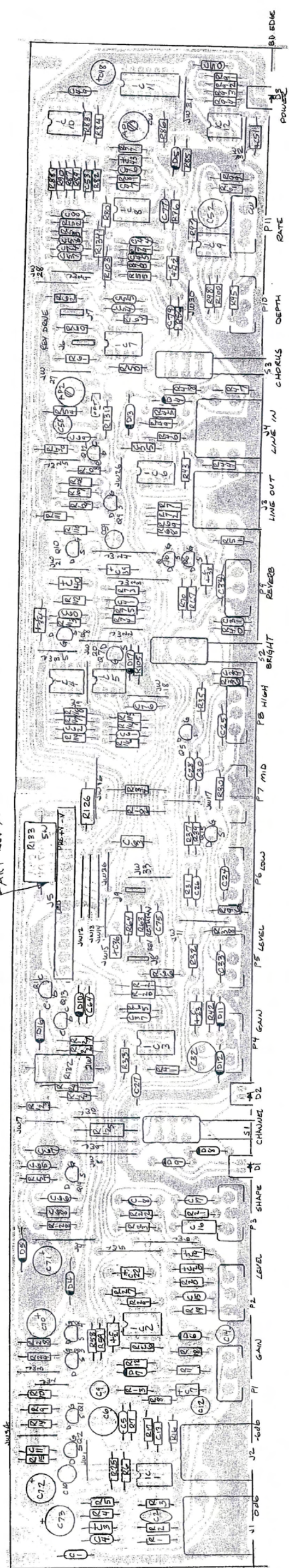
NOTES:
 1) UNLESS OTHERWISE SPECIFIED:
 ALL RESISTORS ARE IN OHMS, 1/4W, 5%,
 ALL CAPACITORS ARE IN MICROFARADS,
 AND HAVE A 50V RATING.

Assy # 07-47-02

TOLERANCES	REVISIONS	NO.	DATE	BY
RESISTORS	1			
CAPACITORS	2			
MEASUREMENTS	3			
PHYSICAL	4			
FUNCTIONAL	5			
ASSEMBLY	6			
TESTING	7			
REWORK	8			

G-120C PWR AMP PICTORIAL
 SLM ELECTRONICS
 11880 BORMAN ST. LOUIS, MO 63146
 DRAWING NO. 07-47-02
 DATE 12-88
 BY JPM

PART REV A



ITEM	DESCRIPTION	PART NO.	ITEM	DESCRIPTION	PART NO.	ITEM	DESCRIPTION	PART NO.	ITEM	DESCRIPTION	PART NO.
R1	22K	76-223-01	R105	330K	76-334-01	C23	2.2	12A225-51	C75	.047	10A473-11
R2	22K	76-223-01	R106	68K	76-683-01	C24	.0015	10A473-11	C76	.047	10A473-11
R3	220K	76-224-01	R107	10K	76-103-01	C25	470P	10A471-01	C77	1.0	10A473-11
R4	3.3K	76-332-01	R108	100K	76-104-01	C26	470P	10A471-01	C78	1.0	10A473-11
R5	15K	76-153-01	R109	33K	76-333-01	C27	50P	10A500-21	C79	1.0	10A473-11
R6	1K	76-105-01	R110	47K	76-473-01	C28	470P	10A471-01	C80	1.0	10A473-11
R7	1K	76-105-01	R111	100K	76-104-01	C29	50P	10A500-21	C81	1.0	10A473-11
R8	10K	76-103-01	R112	100K	76-104-01	C30	50P	10A500-21	C82	1.0	10A473-11
R9	100K	76-104-01	R113	27K	76-273-01	C31	50P	10A500-21	C83	1.0	10A473-11
R10	22K	76-223-01	R114	10K	76-103-01	C32	10 NP	10A103-11	C84	1.0	10A473-11
R11	470	76-471-01	R115	10K	76-103-01	C33	10 NP	10A103-11	C85	1.0	10A473-11
R12	2.7K	76-272-01	R116	10K	76-103-01	C34	.047	10A473-11	C86	1.0	10A473-11
R13	22K	76-223-01	R117	10K	76-103-01	C35	1.0	10A473-11	C87	1.0	10A473-11
R14	100K	76-103-01	R118	10K	76-103-01	C36	1.0	10A473-11	C88	1.0	10A473-11
R15	100K	76-103-01	R119	10K	76-103-01	C37	.0033	10A332-01	C89	1.0	10A473-11
R16	4.7K	76-471-01	R120	33K	76-333-01	C38	2.2	10A225-51	C90	1.0	10A473-11
R17	220K	76-224-01	R121	220K	76-224-01	C39	2.2	10A225-51	C91	1.0	10A473-11
R18	1.5K	76-152-01	R122	10K	76-103-01	C40	2.2	10A225-51	C92	1.0	10A473-11
R19	220	76-221-01	R123	220K	76-224-01	C41	1.0	10A103-11	C93	1.0	10A473-11
R20	1K	76-102-01	R124	33K	76-333-01	C42	1.0	10A103-11	C94	1.0	10A473-11
R21	2.2K	76-222-01	R125	2.7K	76-272-01	C43	10/16V	10A106-11	C95	1.0	10A473-11
R22	2.7K	76-272-01	R126	2.7K	76-272-01	C44	50P	10A500-21	C96	1.0	10A473-11
R23	100K	76-103-01	R127	58K	76-583-01	C45	.0047	10A472-01	C97	1.0	10A473-11
R24	100K	76-103-01	R128	33K	76-333-01	C46	220P	10A223-01	C98	1.0	10A473-11
R25	4.7K	76-471-01	R129	33K	76-333-01	C47	4.022	10A223-01	C99	1.0	10A473-11
R26	4.7K	76-471-01	R130	220K	76-224-01	C48	4.7/16V	10A223-01	C100	1.0	10A473-11
R27	1K	76-105-01	R131	10K	76-103-01	C49	1.0	10A223-01	C101	1.0	10A473-11
R28	100K	76-104-01	R132	220 2R	76-221-02	C50	220P	10A225-51	C102	1.0	10A473-11
R29	220K	76-224-01	R133	150 5H	76-151-05	C51	2.2	10A225-51	C103	1.0	10A473-11
R30	22K	76-223-01	R134	270K	76-274-01	C52	22/16V NP	10A226-01	C104	1.0	10A473-11
R31	100K	76-104-01	C1	.047 poly	10A473-11	C53	.0022	10A222-01	C105	1.0	10A473-11
R32	100K	76-104-01	C2	1.0	10A103-11	C54	50P	10A500-21	C106	1.0	10A473-11
R33	100K	76-104-01	C3	1.0	10A103-11	C55	470P	10A471-11	C107	1.0	10A473-11
R34	100K	76-104-01	C4	1.0	10A103-11	C56	4.07	10A471-11	C108	1.0	10A473-11
R35	1K	76-105-01	C5	.047	10A473-11	C57	10K TRIM	AP1,2	C109	1.0	10A473-11
R36	1K	76-105-01	C6	1.0	10A103-11	C58	2.2 NP	71-103-02	C110	1.0	10A473-11
R37	27K	76-273-01	C7	2.2	10A225-51	C59	2.2 NP	88-801-01	C111	1.0	10A473-11
R38	68K	76-683-01	C8	2.2	10A225-51	C60	100P	10A101-21	C112	1.0	10A473-11
R39	4.7K	76-472-01	C9	2.2 NP	10A225-51	C61	470P	10A471-11	C113	1.0	10A473-11
R40	1K	76-105-01	C10	2.2 NP	10A225-51	C62	470P	10A471-11	C114	1.0	10A473-11
R41	220K	76-224-01	C11	.001	10A102-01	C63	.047	10A473-11	C115	1.0	10A473-11
R42	1K	76-102-01	C12	2.2 NP	10A225-51	C64	.047	10A473-11	C116	1.0	10A473-11
R43	4.7K	76-472-01	C13	2.2 NP	10A225-51	C65	.047	10A473-11	C117	1.0	10A473-11
R44	1.5K	76-152-01	C14	2.2 NP	10A225-51	C66	.047	10A473-11	C118	1.0	10A473-11
R45	1K	76-105-01	C15	2.2 NP	10A225-51	C67	.047	10A473-11	C119	1.0	10A473-11
R46	220K	76-224-01	C16	.047	10A473-11	C68	.01	10A103-11	C120	1.0	10A473-11
R47	10K	76-103-01	C17	1.0	10A103-11	C69	.01	10A103-11	C121	1.0	10A473-11
R48	2.2K	76-222-01	C18	.047	10A473-11	C70	100/35V	12-101-32	C122	1.0	10A473-11
R49	27K	76-273-01	C19	2.2	10A225-51	C71	47/35V	12-473-32	C123	1.0	10A473-11
R50	22K	76-223-01	C20	2.2	10A225-51	C72	47/35V	12-473-32	C124	1.0	10A473-11
R51	1K	76-105-01	C21	2.2	10A225-51	C73	47/35V	12-473-32	C125	1.0	10A473-11
R52	1K	76-105-01	C22	2.2	10A225-51	C74	.01	10A103-11	C126	1.0	10A473-11

NOTES:
 1) UNLESS OTHERWISE SPECIFIED:
 ALL RESISTORS ARE IN OHMS, 1/4WATT, 5%
 ALL CAPS ARE IN MICROFARADS

REV 5-23-88 EBM
 TOTAL REVIEWS
 PCB 06A517-00
 ALL REV'S BY EBM

NO.	DATE	BY	REVISION
1	05-23-88	EBM	REV A
2			
3			
4			
5			

TOLERANCES
 DECIMAL
 FRACTIONAL
 ANGULAR
 HOLE
 FINISH

PCB REV A
 06A517-01

5-120C PREAMP (REV A)
 SLA 2-ASSY ED 7-517-01
 SLA ELECTRONICS
 1400 FERRELLSON
 85783
 85783

DATE 05-23-88
 DRAWING NO. 06A517-01
 SHEET NO. 1 OF 1

REV 5-23-88 EBM
 TOTAL REVIEWS
 PCB 06A517-00
 ALL REV'S BY EBM

REV 5-23-88 EBM
 TOTAL REVIEWS
 PCB 06A517-00
 ALL REV'S BY EBM

REV 5-23-88 EBM
 TOTAL REVIEWS
 PCB 06A517-00
 ALL REV'S BY EBM

REV 5-23-88 EBM
 TOTAL REVIEWS
 PCB 06A517-00
 ALL REV'S BY EBM