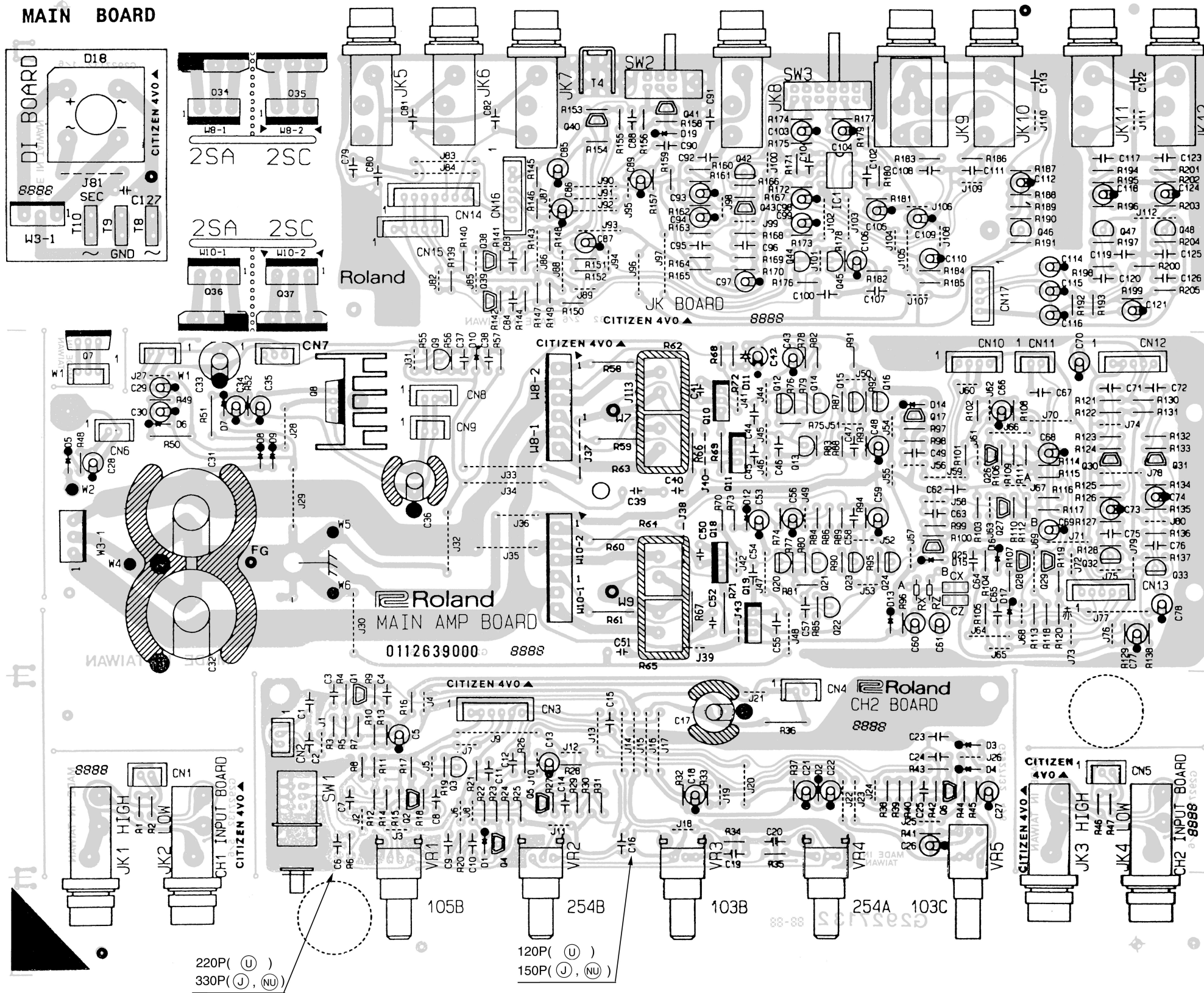


1 2 3 4 5 6 7 8 9 10 11 12 13 14 15 16 17 18 19 20 21 22 23 24 25 26 27 28

A **PM BOARD ASSY CIRCUIT BOARD**



Sals area	Model Name	Symbol
Japanese Model	JC-120UT	(U)
	JC-120JT	(J)
except Japan	JC-120UT Old	(U)
	JC-120UT New	(NU)

1 2 3 4 5 6 7 8 9 10 11 12 13 14 15 16 17 18 19 20 21 22 23 24 25 26 27 28

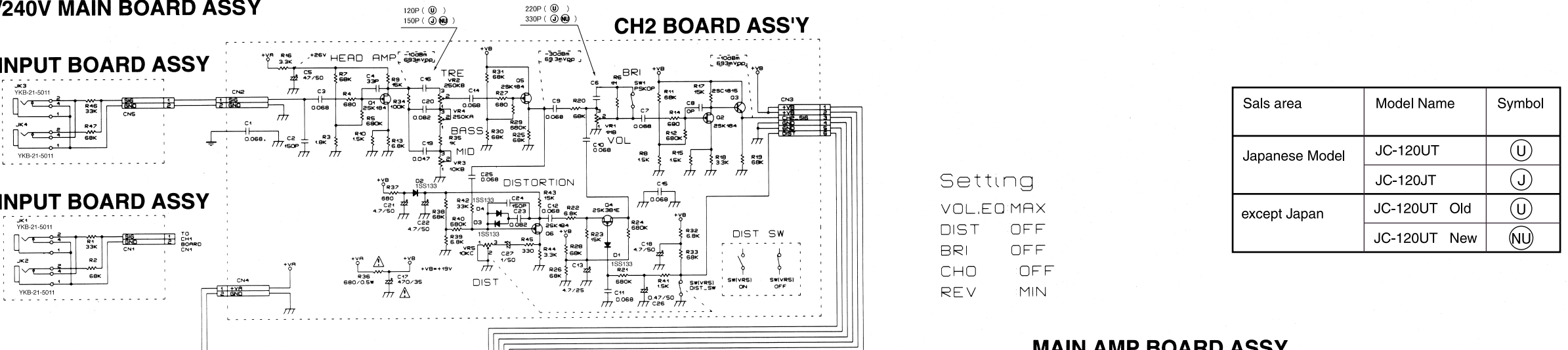
A PM BOARD ASSY CIRCUIT DIAGRAM

B 230V/240V MAIN BOARD ASSY

C CH2 INPUT BOARD ASSY

D CH1 INPUT BOARD ASSY

E CH2 BOARD ASS'Y

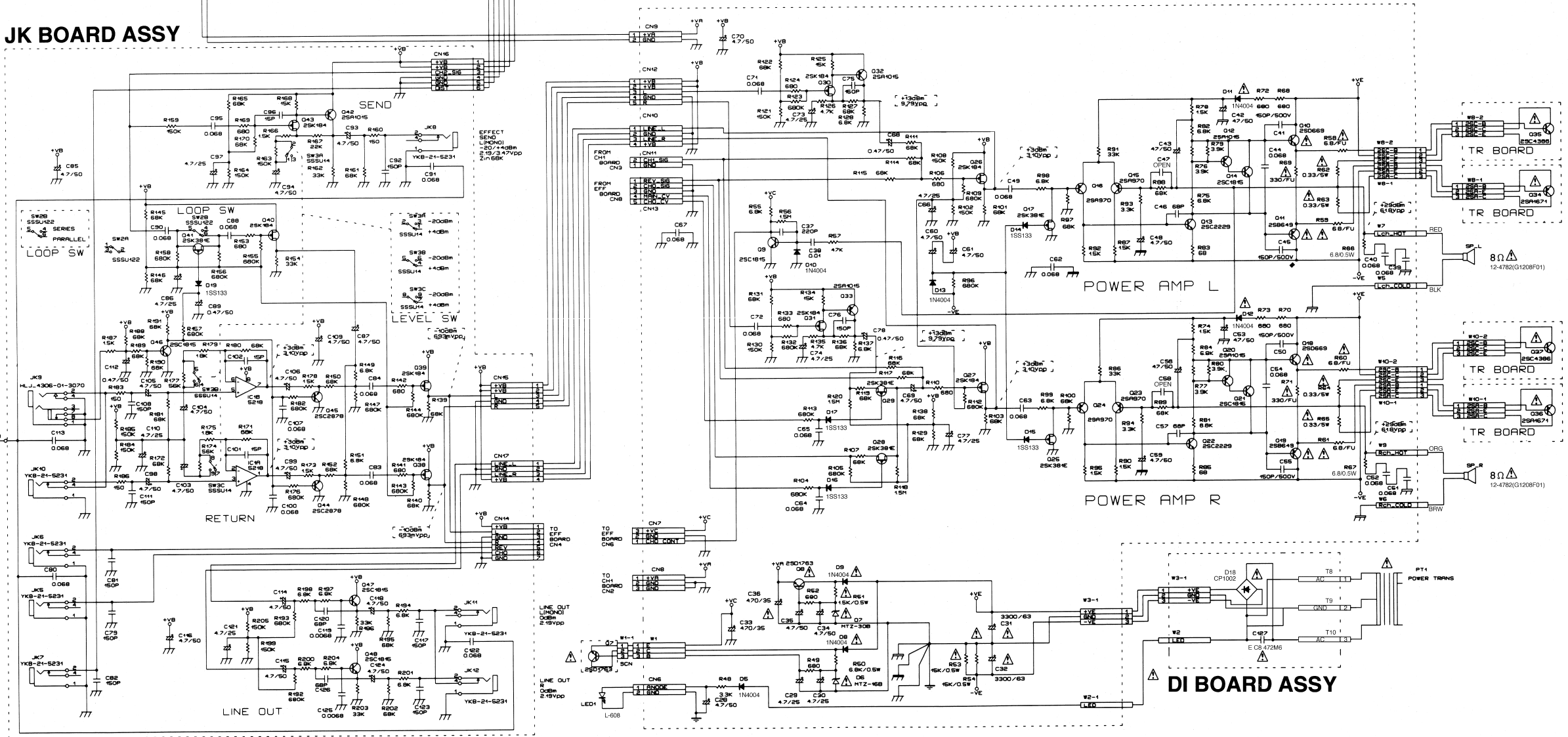


Setting  
 VOL:EQ MAX  
 DIST OFF  
 BRI OFF  
 CHO OFF  
 REV MIN

Sals area	Model Name	Symbol
Japanese Model	JC-120UT	Ⓢ
	JC-120JT	Ⓜ
except Japan	JC-120UT Old	Ⓢ
	JC-120UT New	Ⓝ

F JK BOARD ASSY

G MAIN AMP BOARD ASSY



H  
I  
J  
K  
L  
M  
N  
O  
P  
Q  
R  
S  
T  
U