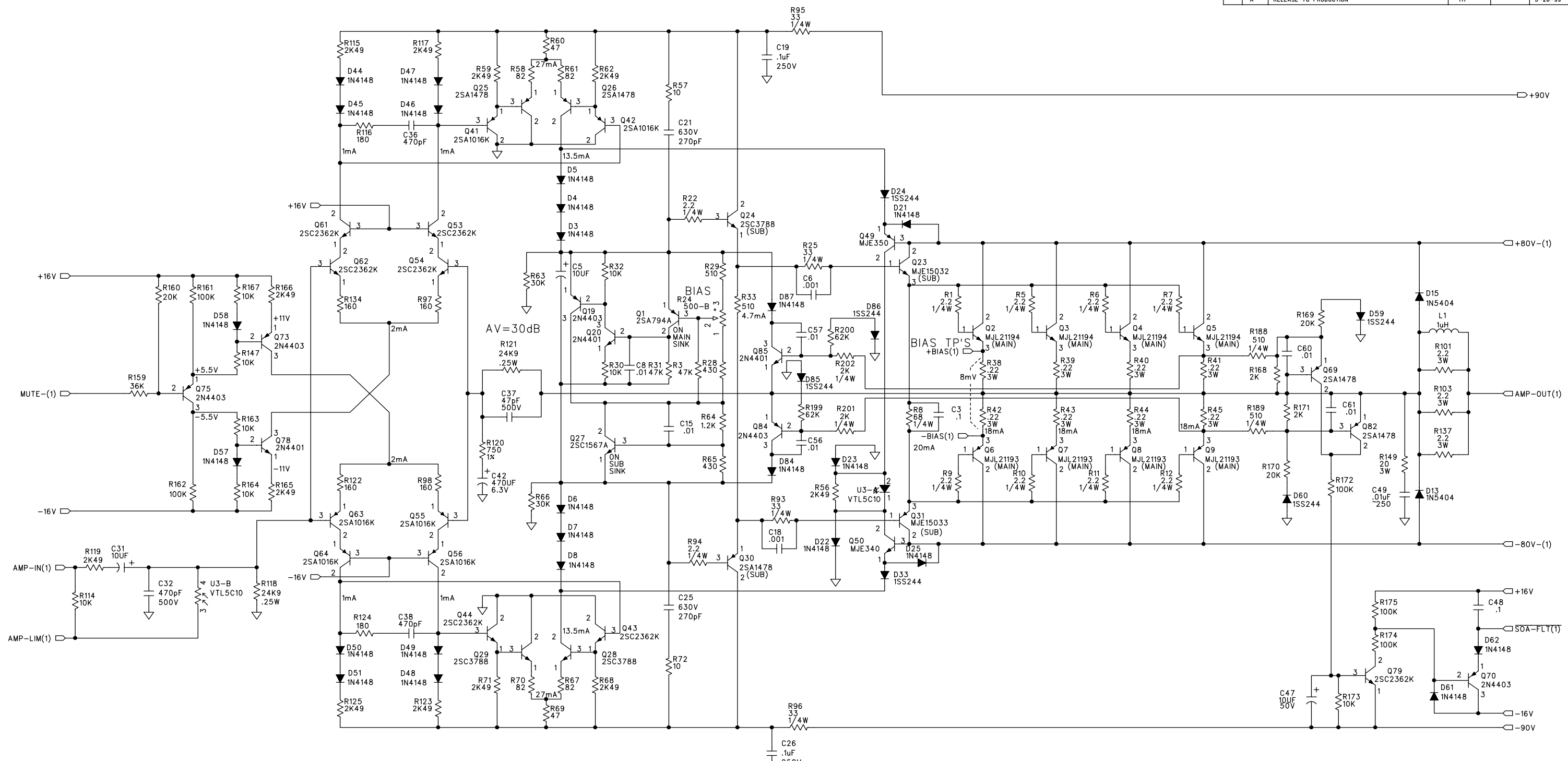


DWG. NO.	990-255-00	SHT	1	REV:	A	1
REV:	ECO#	DESCRIPTION	REV. BY:	APP. BY:	DATE	
1		MADE FROM 990-081-00 W/ DESIGNS CHANGES. INCORP ECOS: 1092,1098, 1142, 1170, 1203, 104, 1359, 1400, 1433 218, 2134	WGW		2-12-99	
A		RELEASE TO PRODUCTION	TH		3-28-99	

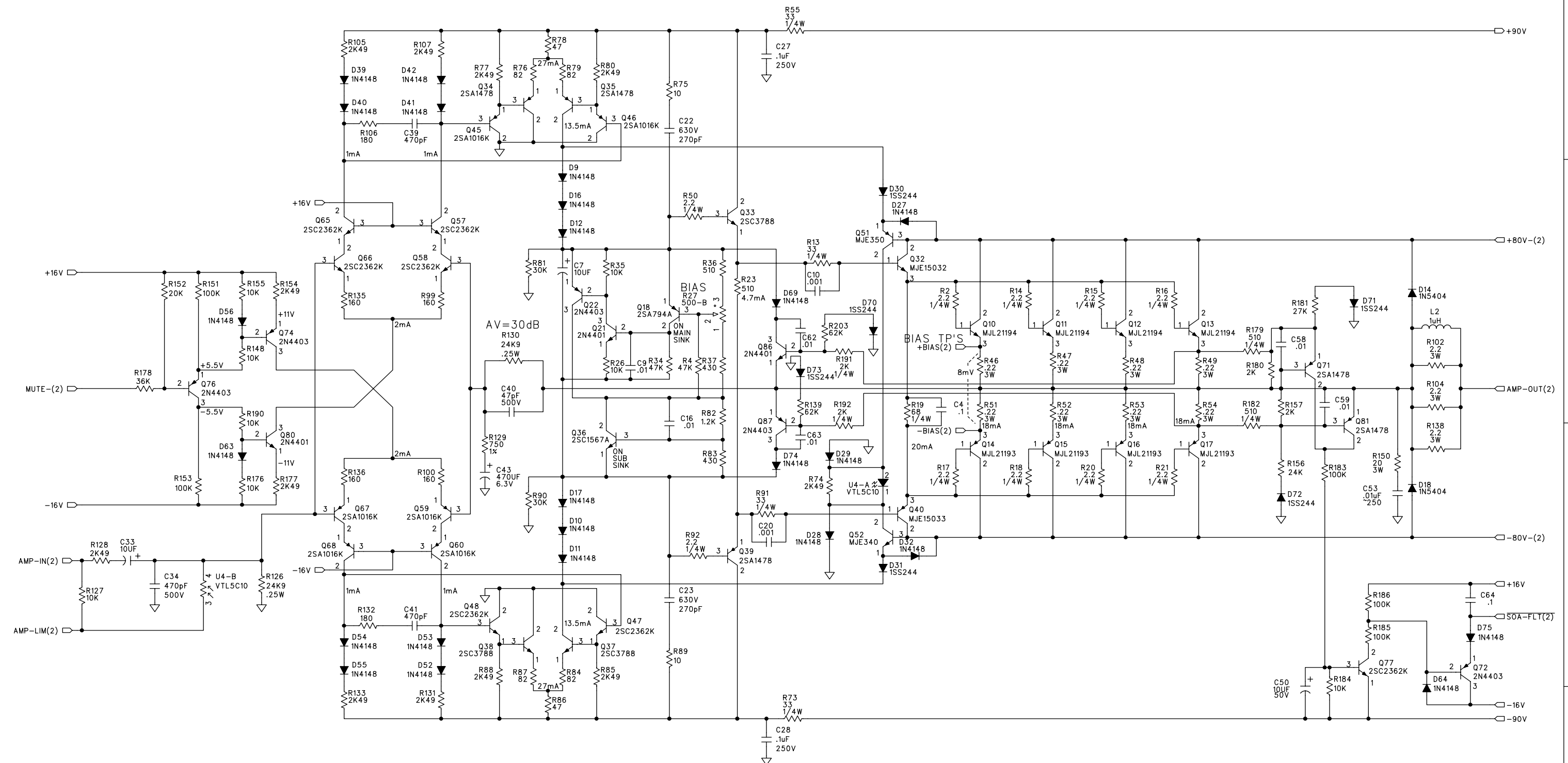


- 450-255-00 PCB, MAIN M-1400-S2
- 400-080-00 FUSE CLIP PC MT 5mm DIA
- 400-129-00 FUSE CLIP PC MT .25" DIA

UNLESS OTHERWISE SPECIFIED DIMENSIONS ARE IN INCHES TOLERANCES ARE: FRACTIONS: DECIMALS: ANGLES: ±NA .XX ±.01 ±NA .XXX ±.005	APPROVALS	DATE
	DRAWN: Cam Jones	1-22-99
	CHECKED:	
	NP ENG:	
MATERIAL:	MATERIAL:	
SEE NOTES	MFG:	
FINISH:	MFG ENG:	
SEE NOTES	ISSUED:	
DO NOT SCALE DRAWING		

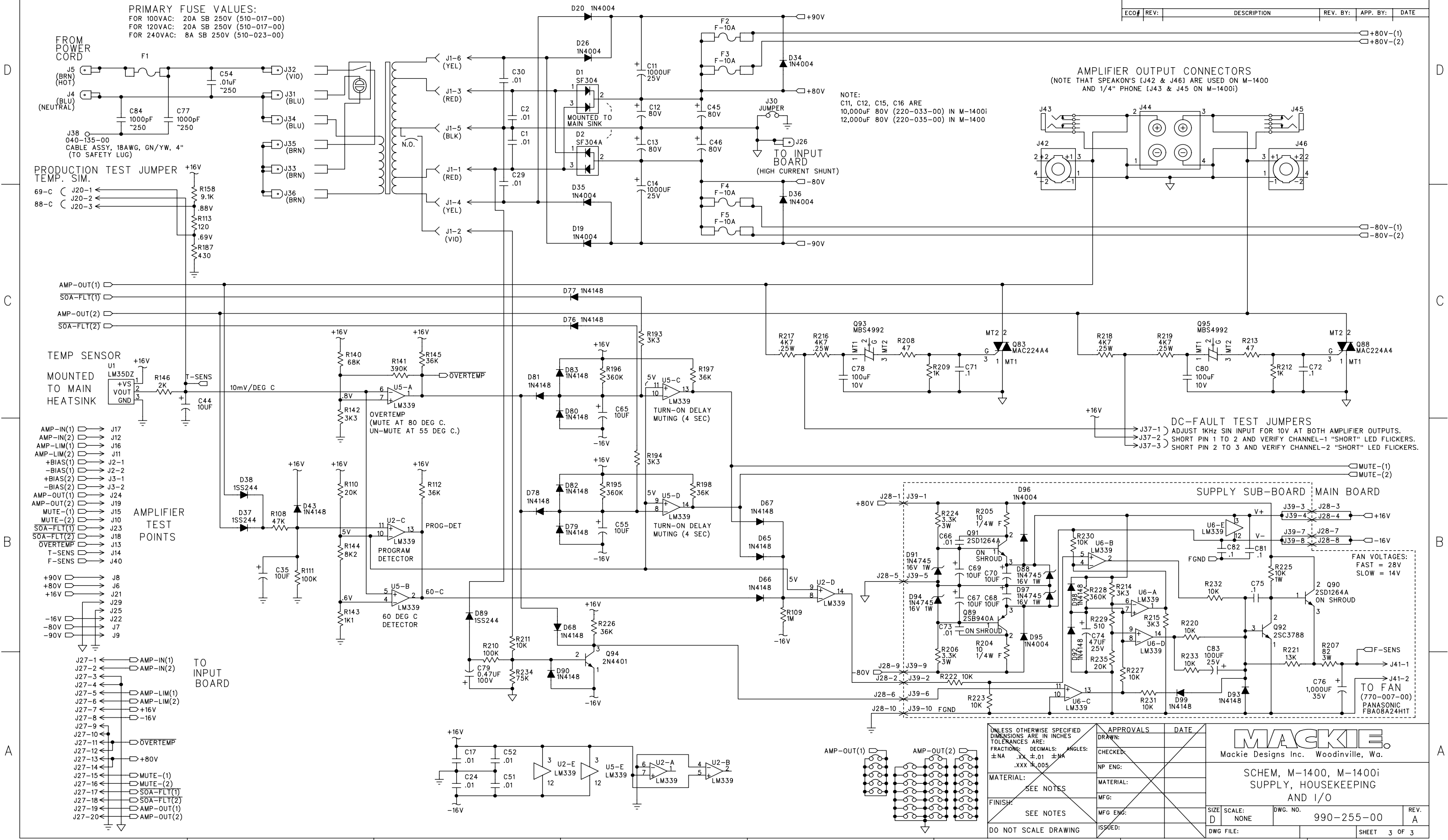
<b>MACKIE</b> Mackie Designs Inc. Woodinville, Wa.	
SCHEM, M-1400, M-1400i CH-1 MAIN AMP	
SIZE D	SCALE NONE
DWG. NO. 990-255-00	REV. A
DWG FILE:	SHEET 1 OF 3

D  
C  
B  
A



UNLESS OTHERWISE SPECIFIED DIMENSIONS ARE IN INCHES TOLERANCES ARE: FRACTIONS: DECIMALS: ANGLES: ±NA .XX ±.01 ±NA .XXX ±.005	APPROVALS	DATE	
	DRAWN:		
	CHECKED:		
	NP ENG:		
	MATERIAL:		
SEE NOTES	MATERIAL:		SCHEM, M-1400, M-1400i CH-2 MAIN AMP
FINISH:	MFG:		
SEE NOTES	MFG ENG:		
DO NOT SCALE DRAWING	ISSUED:		
SIZE D	SCALE: NONE	DWG. NO. 990-255-00	REV. A
DWG FILE:			SHEET 2 OF 3

ECO#	REV.	DESCRIPTION	REV. BY:	APP. BY:	DATE



APPROVALS		DATE
DRAWN:	CHECKED:	
NP ENG:	MATERIAL:	
MFG:	MFG ENG:	
ISSUED:		

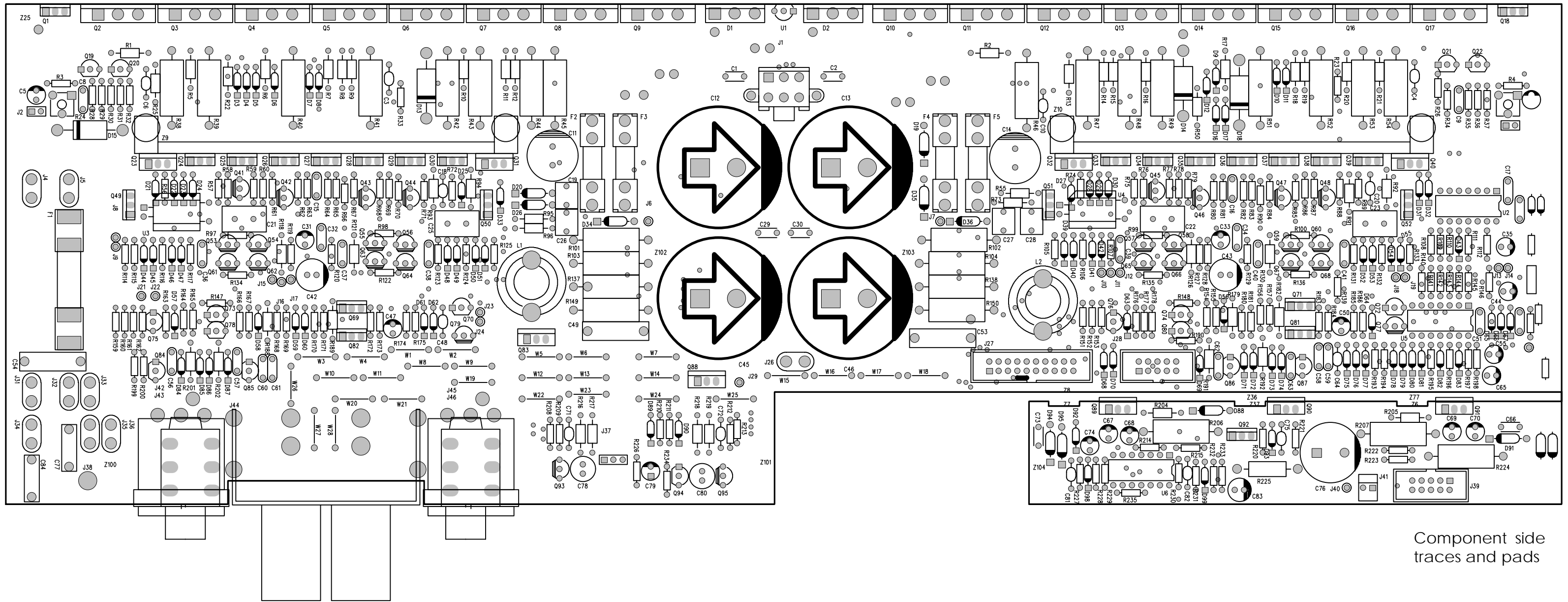
UNLESS OTHERWISE SPECIFIED DIMENSIONS ARE IN INCHES  
 TOLERANCES ARE:  
 FRACTIONS: DECIMALS: ANGLES:  
 ±NA .XX ±.01 ±NA  
 .XXX ±.005

MATERIAL: SEE NOTES  
 FINISH: SEE NOTES  
 DO NOT SCALE DRAWING

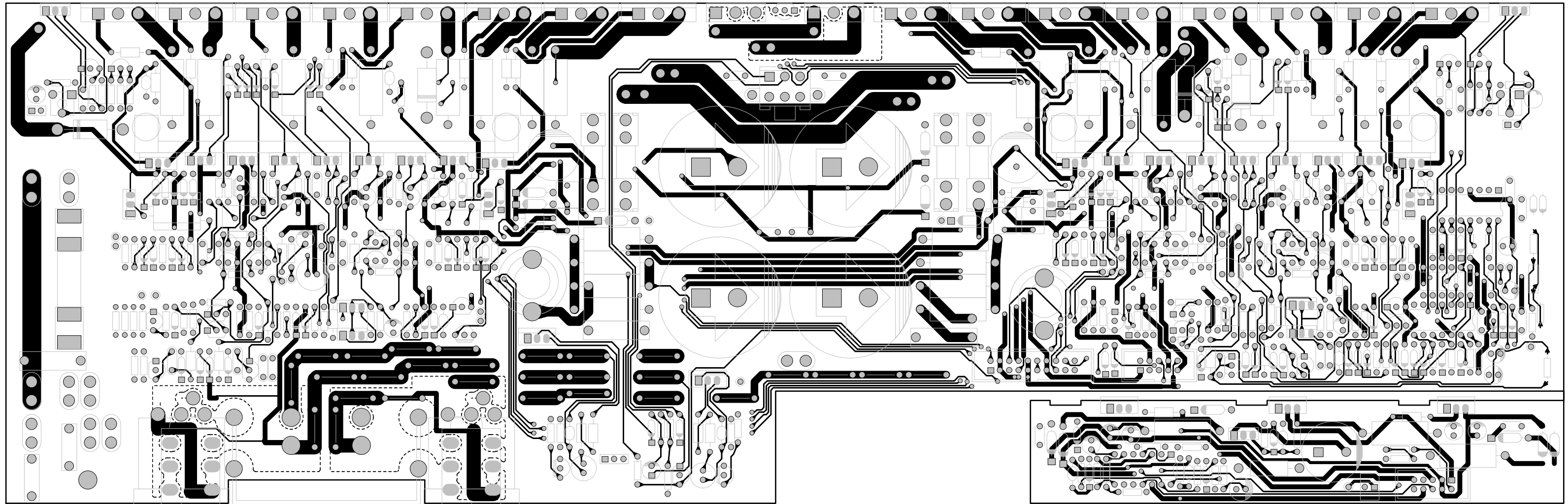
**MACKIE**  
 Mackie Designs Inc. Woodinville, Wa.

SCHEM, M-1400, M-1400i  
 SUPPLY, HOUSEKEEPING  
 AND I/O

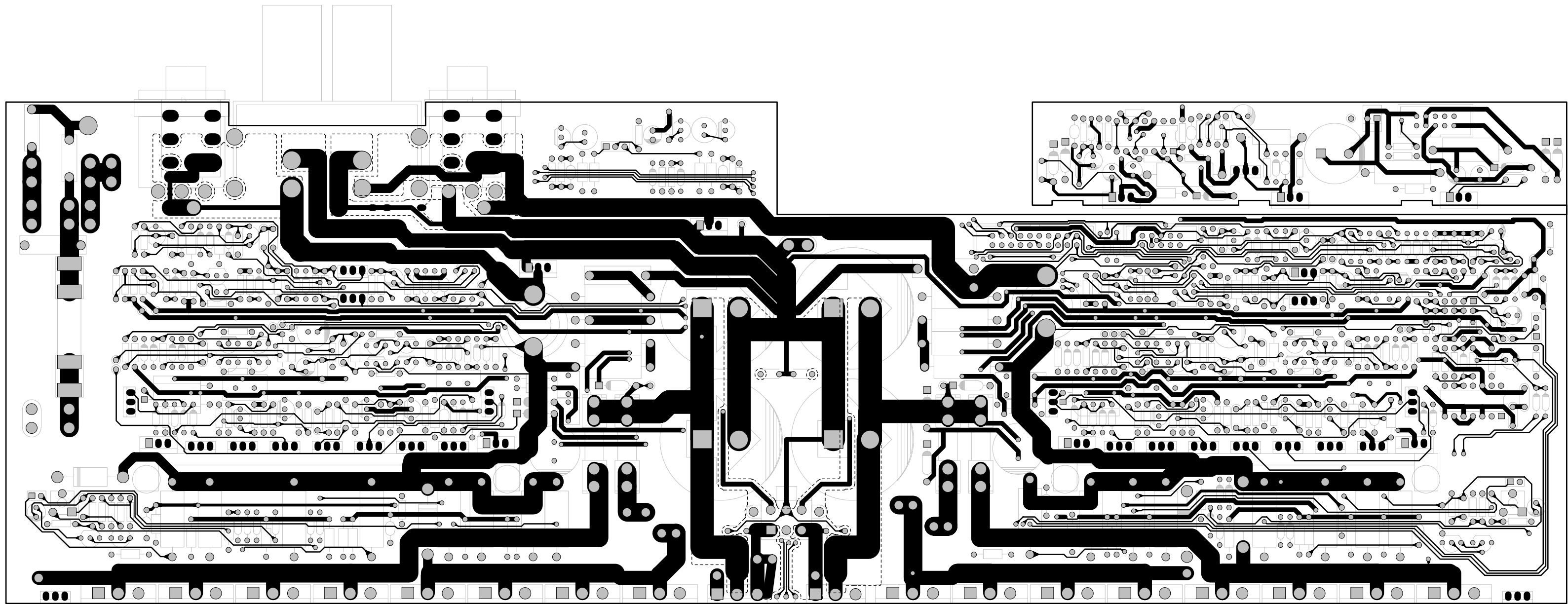
SIZE: D SCALE: NONE DWG. NO. 990-255-00 REV. A  
 DWG FILE: SHEET 3 OF 3



Component side  
traces and pads



Component side  
traces and pads



Solder side  
traces and pads