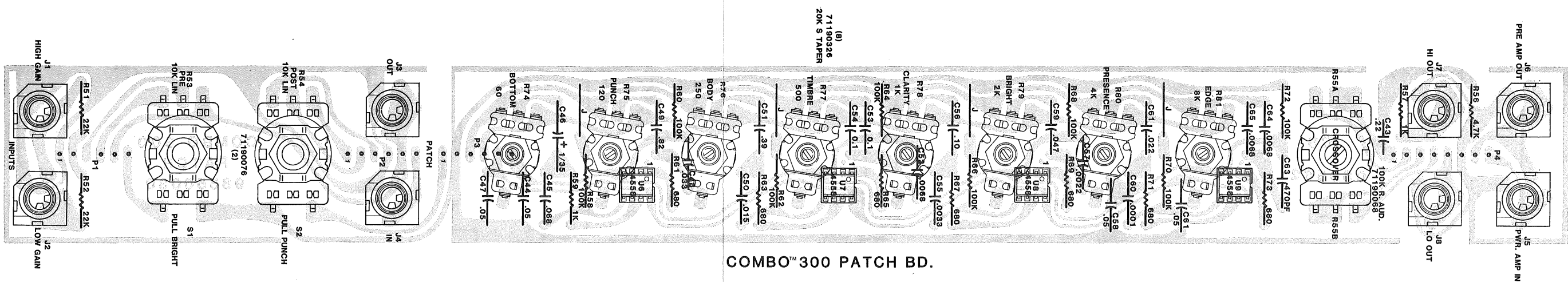


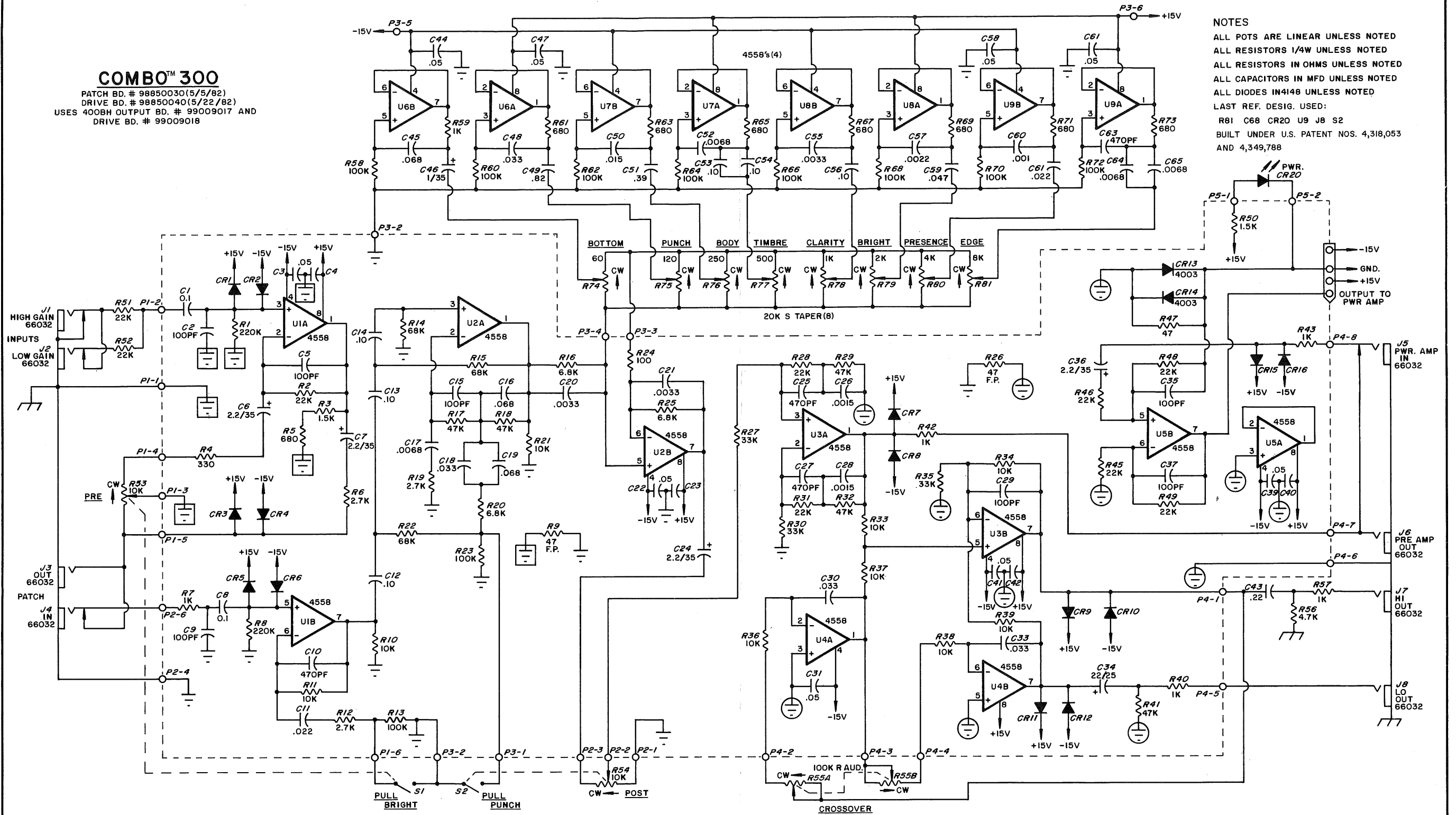
COMBO™300 DRIVE BD.



COMBO™300 PATCH BD.

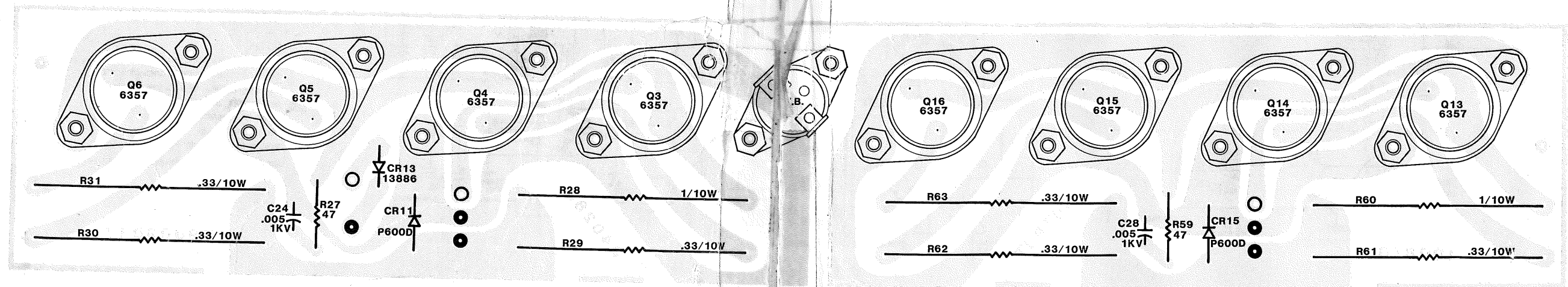
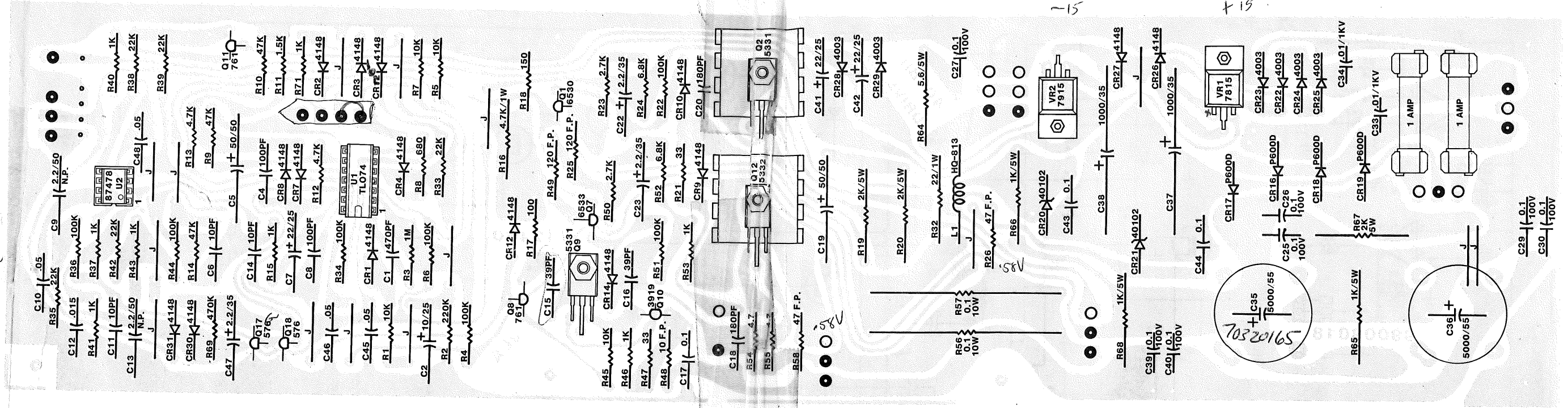
COMBO™ 300

PATCH BD. # 98850030(5/5/82)
 DRIVE BD. # 98850040(5/22/82)
 USES 400BH OUTPUT BD. # 99009017 AND
 DRIVE BD. # 99009018



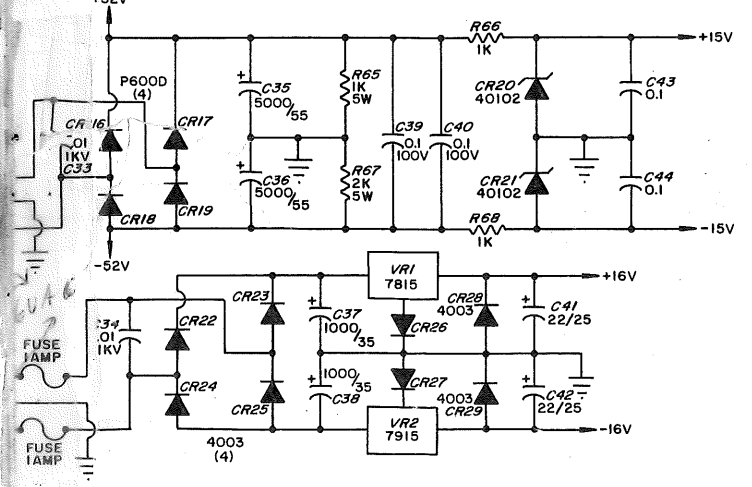
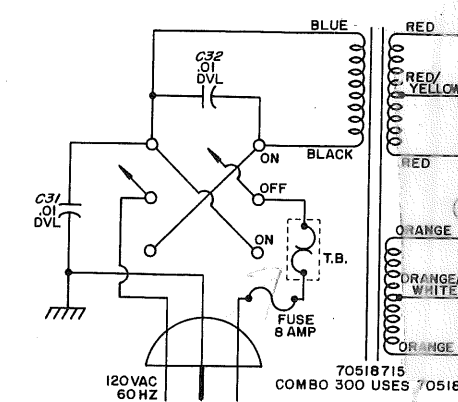
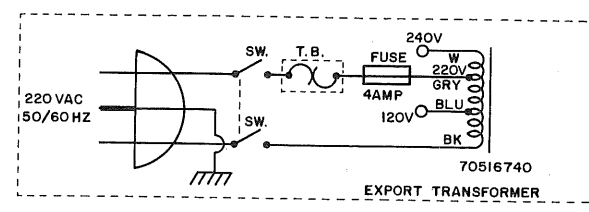
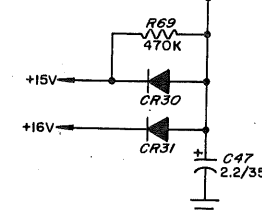
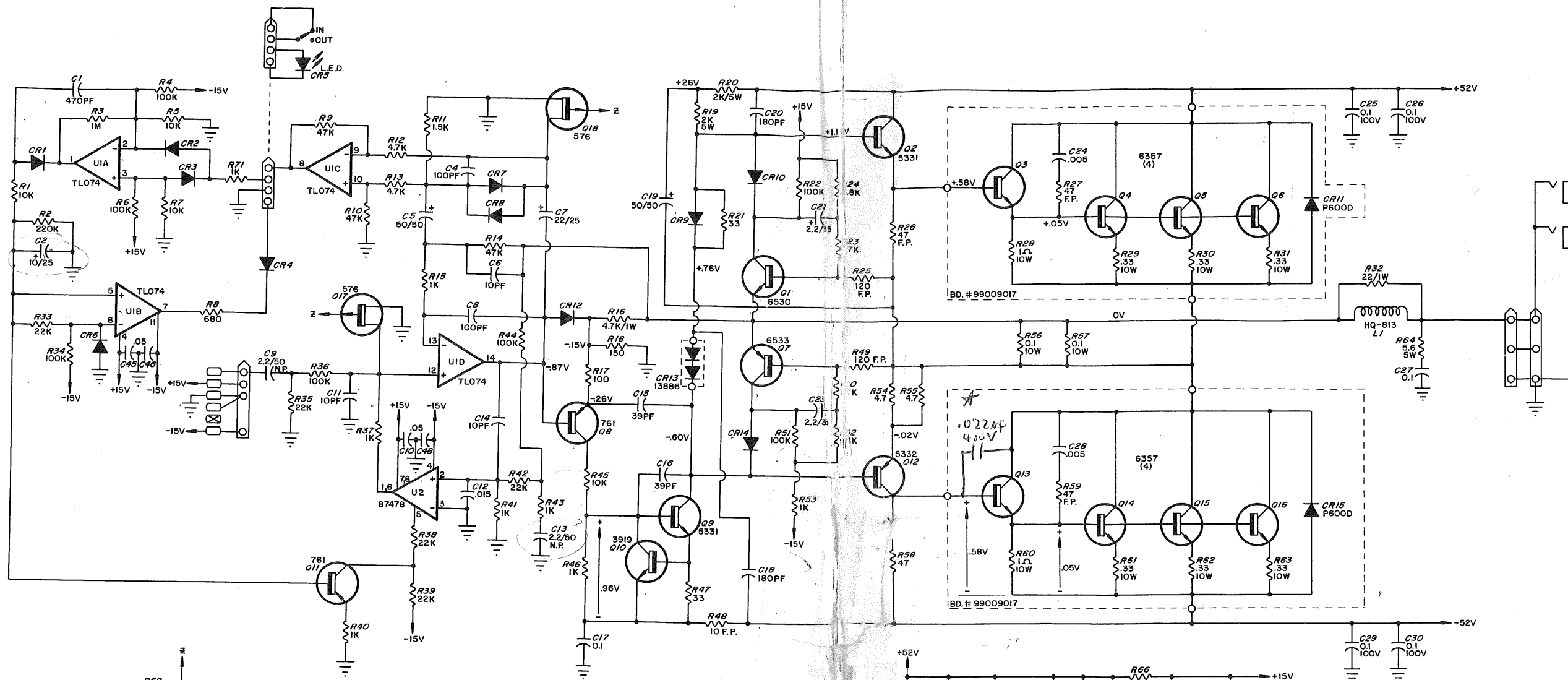
NOTES
 ALL POTS ARE LINEAR UNLESS NOTED
 ALL RESISTORS 1/4W UNLESS NOTED
 ALL RESISTORS IN OHMS UNLESS NOTED
 ALL CAPACITORS IN MFD UNLESS NOTED
 ALL DIODES IN4148 UNLESS NOTED
 LAST REF. DESIG. USED:
 R81 C68 CR20 U9 J8 S2
 BUILT UNDER U.S. PATENT NOS. 4,318,053
 AND 4,349,788

PEAVEY® ELECTRONICS CORP. MERIDIAN, MS	
DRAWN BY <i>REA</i>	DATE 6/23/82
C.B. CK. <i>REA</i>	
CK. BY <i>REA</i>	
APPR. BY <i>REA</i>	



DRV 99069022
 OUTPA 99030650

400 BH



NOTES
 ALL RESISTORS 1/4W UNLESS NOTED
 ALL RESISTORS IN OHMS UNLESS NOTED
 ALL CAPACITORS IN MFD UNLESS NOTED
 ALL DIODES IN4148 UNLESS NOTED
 LAST REF. DESIGNATOR USED:
 R69 C48 CR31 Q13 U2 VR2
 VOLTAGES MAY VARY FROM UNIT TO UNIT
 CIRCUITRY PATENTS APPLIED FOR AND PENDING

REVISED	2/23/83	REG
PEAVEY ELECTRONICS CORP. MERIDIAN, MS.		
DRAWN BY	DATE	2-16-81
C.B. CHECK		
CHECK BY	ARD	
APPR. BY	J.C.D.	

400 BH MODULE
 BD # 99009017

70320106 022 of 400V
 * to stop oscillation on negative side of wave form
 when using new higher grade outputs
 BCN 0014978