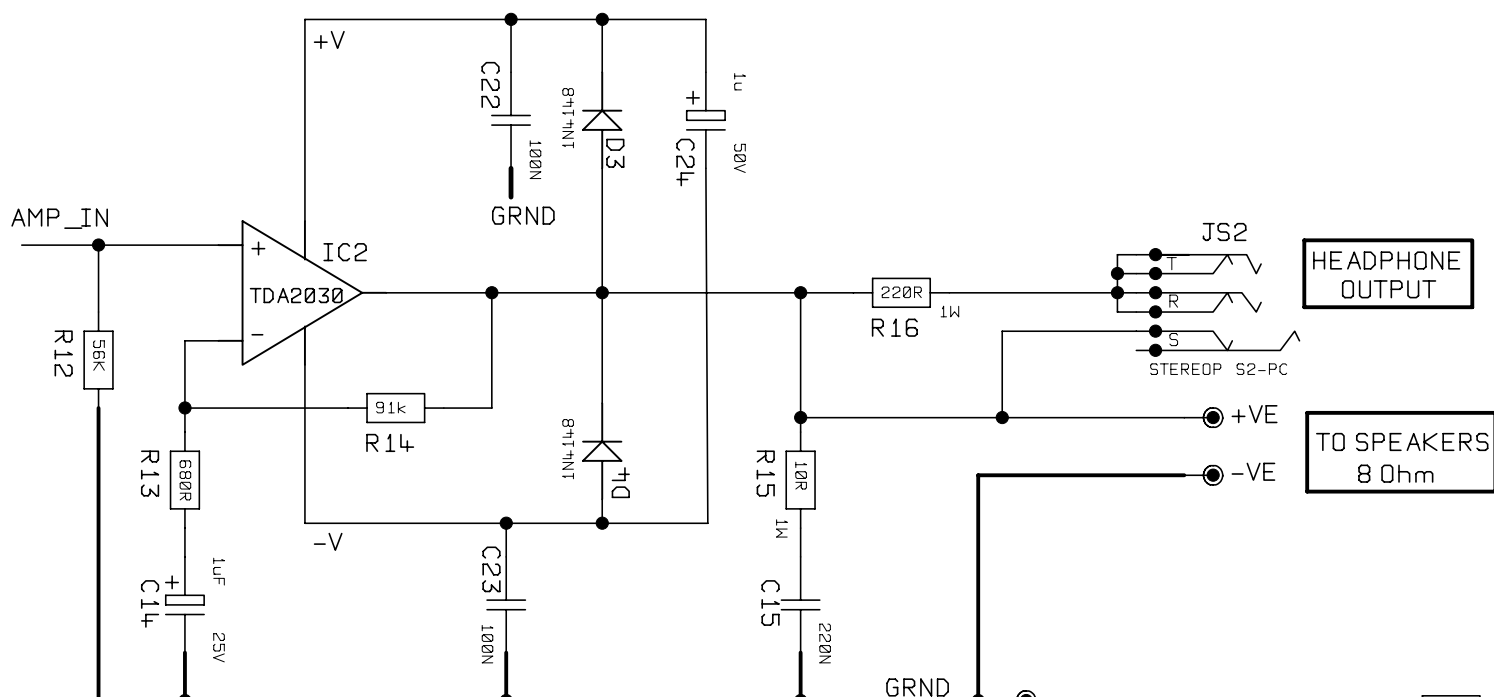
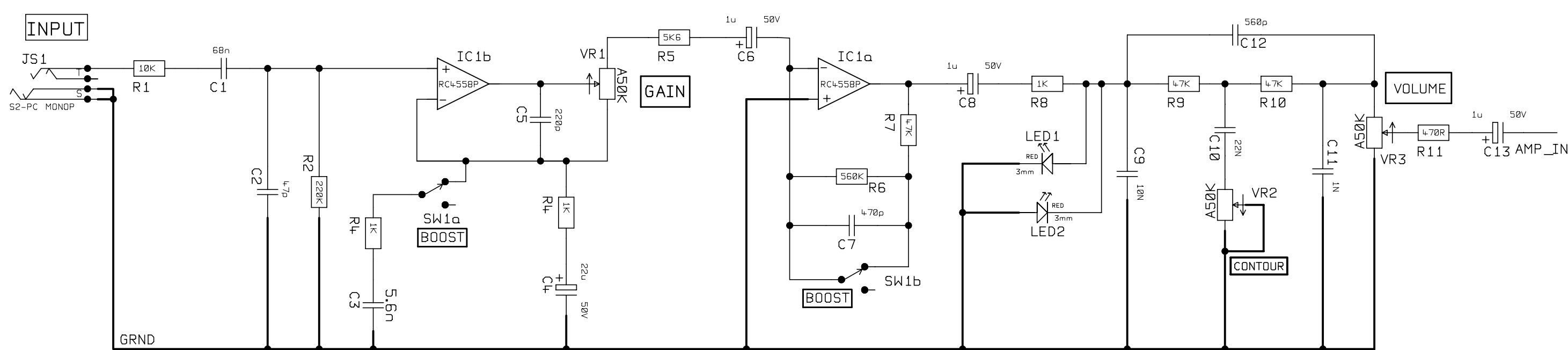
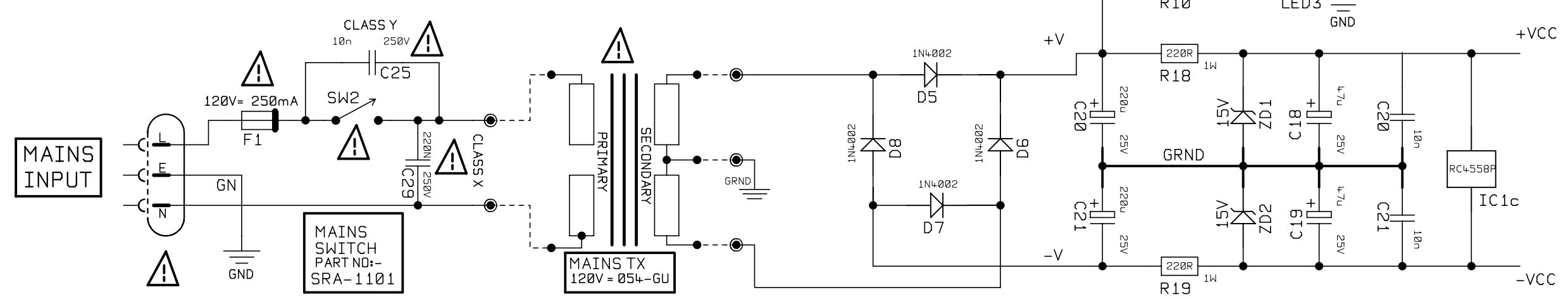



DWG.No. G10-60-02



ALL RESISTORS 1/4W UNLESS STATED.
 SAFETY CRITICAL COMPONENTS MUST BE REPLACED WITH THE SAME TYPE AND RATING ONLY.



ISS		ECO NUMBER	DATE	ALL OTHER HOLES =		X = (THROUGH PLATED)		MATERIAL		DIMENSIONS IN		 <p>© MARSHALL AMPLIFICATION PLC DENBIGH ROAD, BLETCHLEY, MILTON KEYNES, MK1 1DG. TEL (01908) 375411 FAX (01908) 376118</p>		TITLE	
				A	E	J	N	MATERIAL THICKNESS		TOLERANCE (UNLESS OTHERWISE STATED)				CIRCUIT DIAGRAM	
				B	F	K	P	DRAWN T.FOY		DATE 01/08/96				"K" VARIANT	
				C	G	L	Q	CHECKED		DATE				DWG.No	
				D	H	M	R	APPROVED		DATE		ISS			
										MODEL		G10II			
												G10-60-02			
												1			