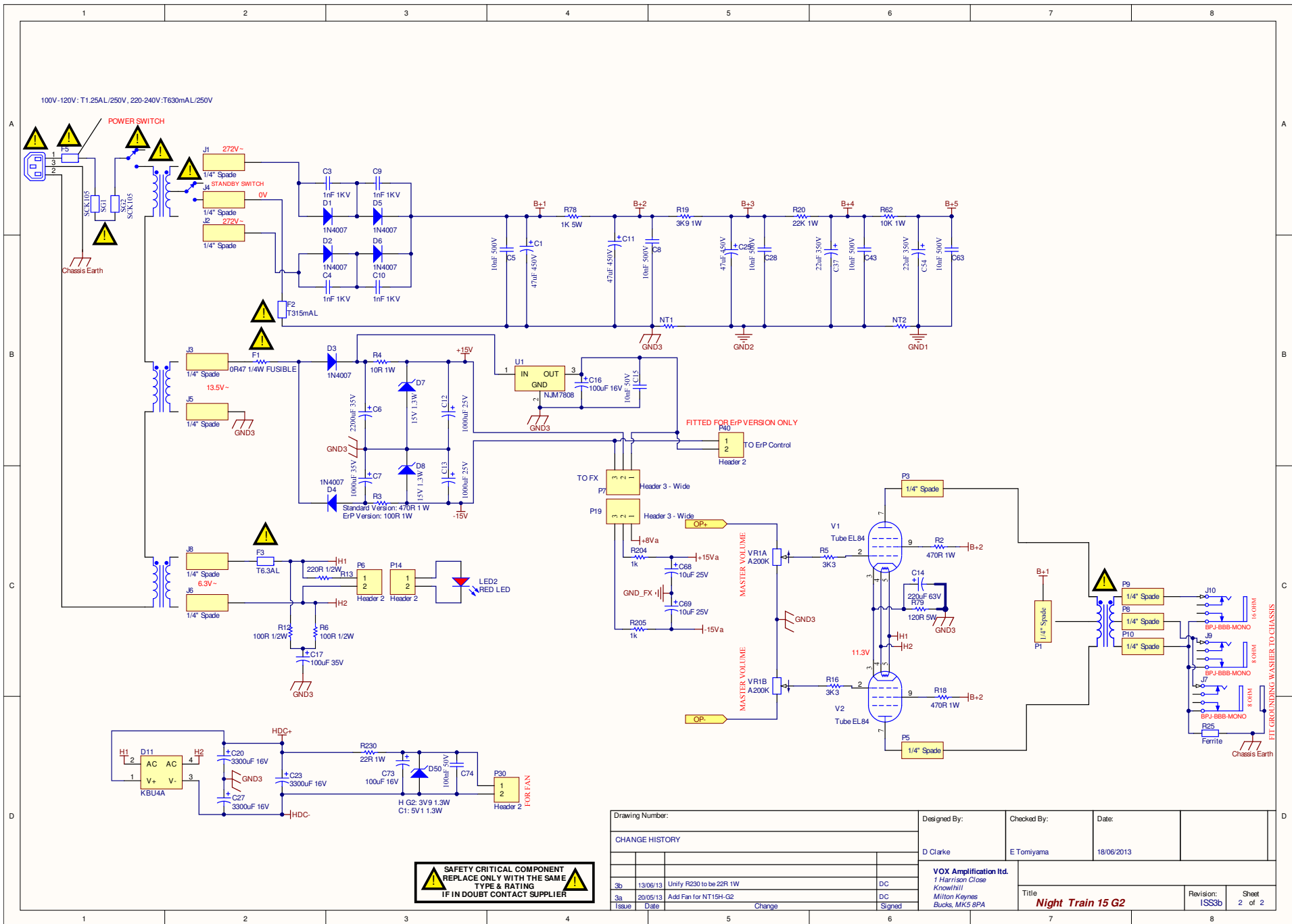


|  |      |                                   |             |                    |
|--|------|-----------------------------------|-------------|--------------------|
| Drawing Number:  |      | Designed By:                      | Checked By: | Date:              |
| CHANGE HISTORY   |      | D Clarke                          | E Tomiyama  | 18/06/2013         |
| Issue  | Date | Change                            | Signed      |                    |
|  |      |                                   |             |                    |
|  |      |                                   |             |                    |
|  |      |                                   |             |                    |
| <b>VOX Amplification Ltd.</b><br>1 Harrier Close<br>Knowhill<br>Milton Keynes<br>Bucks MK5 8PX |      | Title<br><b>Night Train 15 G2</b> |             | Revision:<br>1SSCB |
|  |      |                                   |             | Sheet<br>1 of 2    |



100V-120V: T1.25AL/250V, 220-240V:T630mAL/250V

POWER SWITCH

STANDBY SWITCH

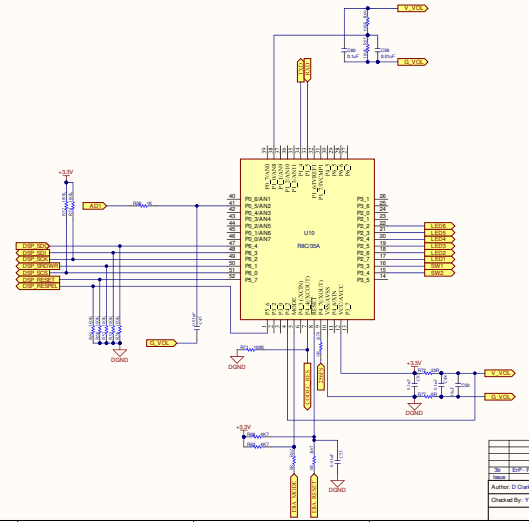
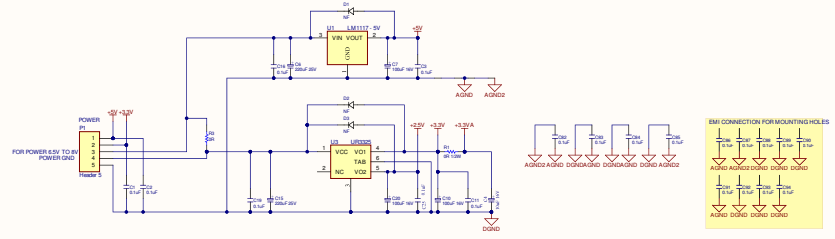
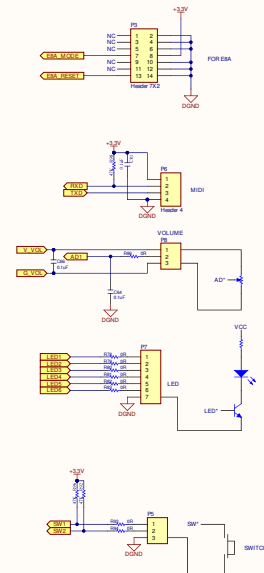
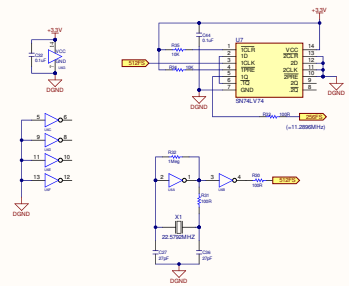
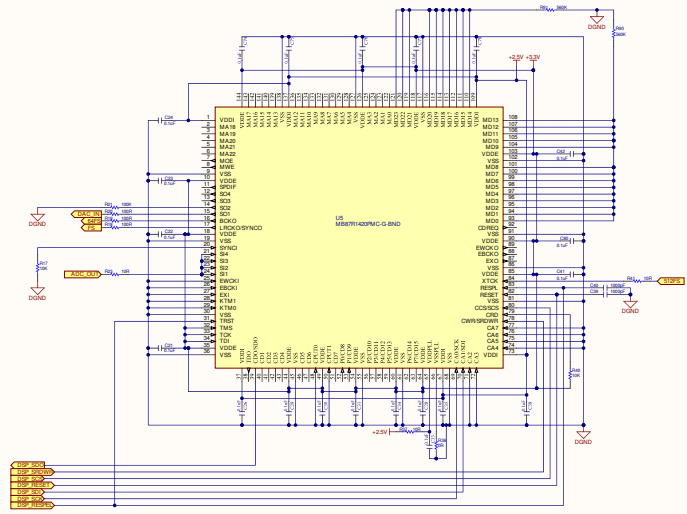
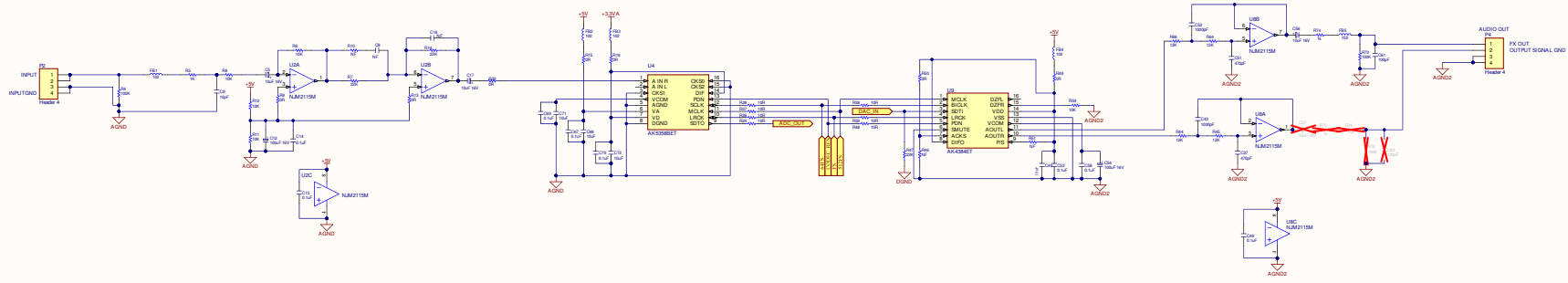
FITTED FOR ErP VERSION ONLY

TO ErP Control

FIT GROUNDING WASHER TO CHASSIS

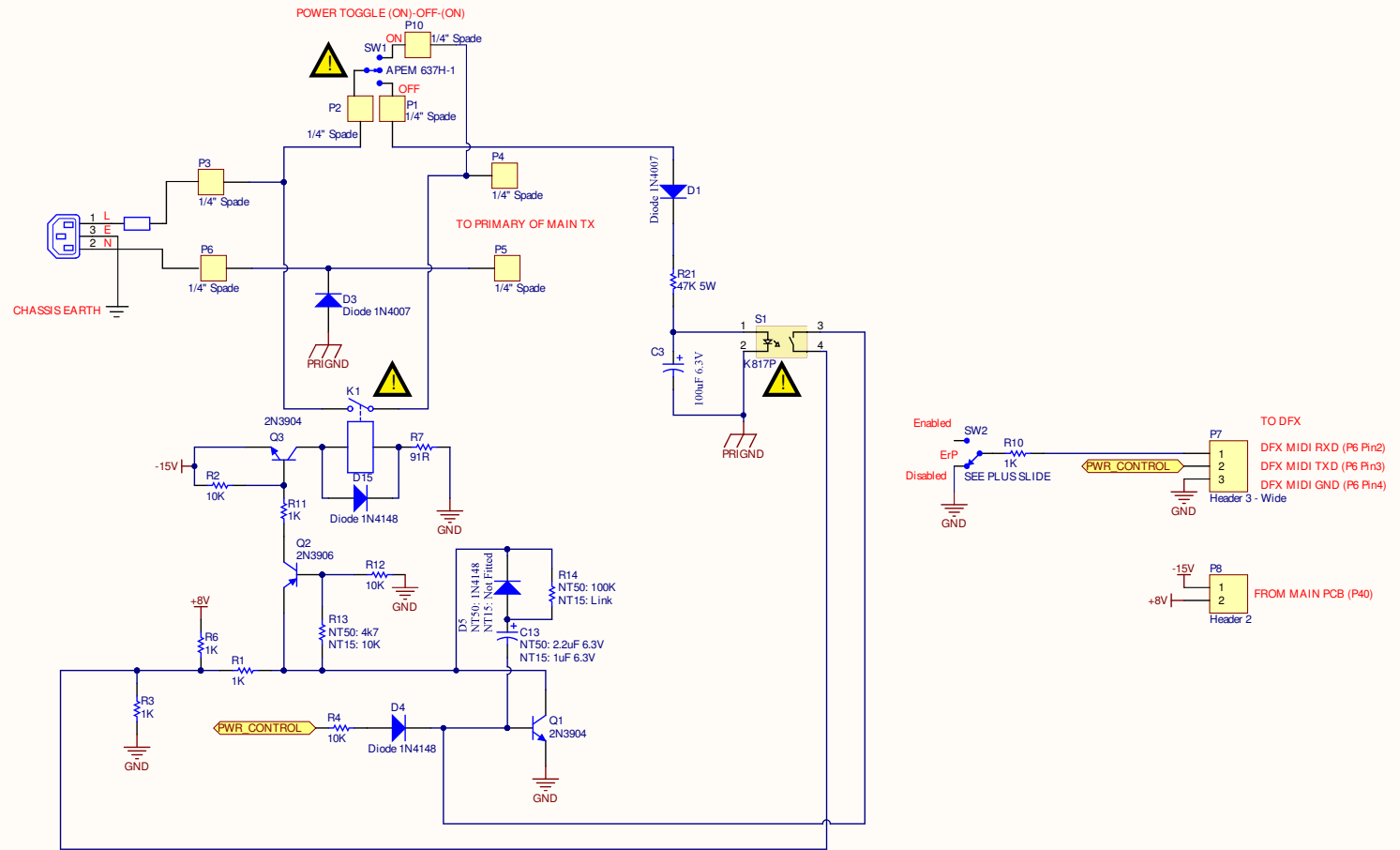
**SAFETY CRITICAL COMPONENT**  
 REPLACE ONLY WITH THE SAME  
 TYPE & RATING  
 IF IN DOUBT CONTACT SUPPLIER

|                                     |      |        |                        |        |                   |  |            |        |
|-------------------------------------|------|--------|------------------------|--------|-------------------|--|------------|--------|
| Drawing Number:                     |      |        | Designed By:           |        | Checked By:       |  | Date:      |        |
| CHANGE HISTORY                      |      |        | D Clarke               |        | E Tomiyama        |  | 18/06/2013 |        |
|                                     |      |        | VOX Amplification Ltd. |        |                   |  |            |        |
| 3b 13/06/13 Unity R230 to be 22R 1W |      |        | DC                     |        |                   |  |            |        |
| 3a 20/05/13 Add Fan for NT15H-G2    |      |        | DC                     |        |                   |  |            |        |
| Issue                               | Date | Change | Change                 | Signed | Title             |  | Revision:  | Sheet  |
|                                     |      |        |                        |        | Night Train 15 G2 |  | ISS3b      | 2 of 2 |



|      |     |         |           |       |          |
|------|-----|---------|-----------|-------|----------|
| Rev: | 1.0 | Author: | D. Clarke | Date: | 20/01/13 |
| Rev: | 1.1 | Author: | D. Clarke | Date: | 20/01/13 |
| Rev: | 1.2 | Author: | D. Clarke | Date: | 20/01/13 |
| Rev: | 1.3 | Author: | D. Clarke | Date: | 20/01/13 |
| Rev: | 1.4 | Author: | D. Clarke | Date: | 20/01/13 |
| Rev: | 1.5 | Author: | D. Clarke | Date: | 20/01/13 |
| Rev: | 1.6 | Author: | D. Clarke | Date: | 20/01/13 |
| Rev: | 1.7 | Author: | D. Clarke | Date: | 20/01/13 |
| Rev: | 1.8 | Author: | D. Clarke | Date: | 20/01/13 |
| Rev: | 1.9 | Author: | D. Clarke | Date: | 20/01/13 |
| Rev: | 2.0 | Author: | D. Clarke | Date: | 20/01/13 |





**SAFETY CRITICAL COMPONENT**  
**REPLACE ONLY WITH THE SAME**  
**TYPE & RATING**  
**IF IN DOUBT CONTACT SUPPLIER**

|   |   |              |                |
|---|---|--------------|----------------|
| 5   | K1 Spec Changed, R7 Value changed to increase current | 10/07/13     | DC             |
| Issue                                     | Reason for change                                     | Date         | Revised by     |
| Author: D Clarke                          | Title: <b>ErP Solution for NT's</b>                   |              |                |
| Checked By: E Tomiyama                    | Size: A3  | Number:      | Revision: ISS5 |
| Date: 10/07/2013                          | Time: 08:52:05  | Sheet 1 of 1 |                |
| File: V:\Altium\ERP\NT ErP v2\ISS5.SchDoc |   |              |                |

**VOX Amplification Ltd.**  
 1 Harrison Close  
 Knowlhill  
 Milton Keynes  
 Bucks, MK5 8PA

