

**CAUTION:**  
 THIS SCHEMATIC IS PROVIDED FOR USE BY QUALIFIED PERSONNEL. TO AVOID RISK OF ELECTRIC SHOCK, REFER SERVICING TO QUALIFIED SERVICE PERSONNEL. DO NOT PERFORM ANY SERVICING BEYOND THAT EXPLAINED IN THE OPERATING INSTRUCTIONS.

- NOTES:**
- 1) CAUTION: SHOCK HAZARD!! THIS UNIT CONTAINS HAZARDOUS VOLTAGE. DISCONNECT POWER AND BE SURE POWER SUPPLY IS DISCHARGED BEFORE TOUCHING INTERNAL PARTS.
  - 2) UNLESS NOTED, RESISTOR VALUES IN OHMS, 1/4W-5% TOL. CAPACITOR VALUES IN MICROFARADS, 50V-10% TOL.
  - 3) VOLTAGES ARE MEASURED WITH 1 MEGOHM OSCILLOSCOPE AND 10 MEGOHM DIGITAL VOLTMETER.

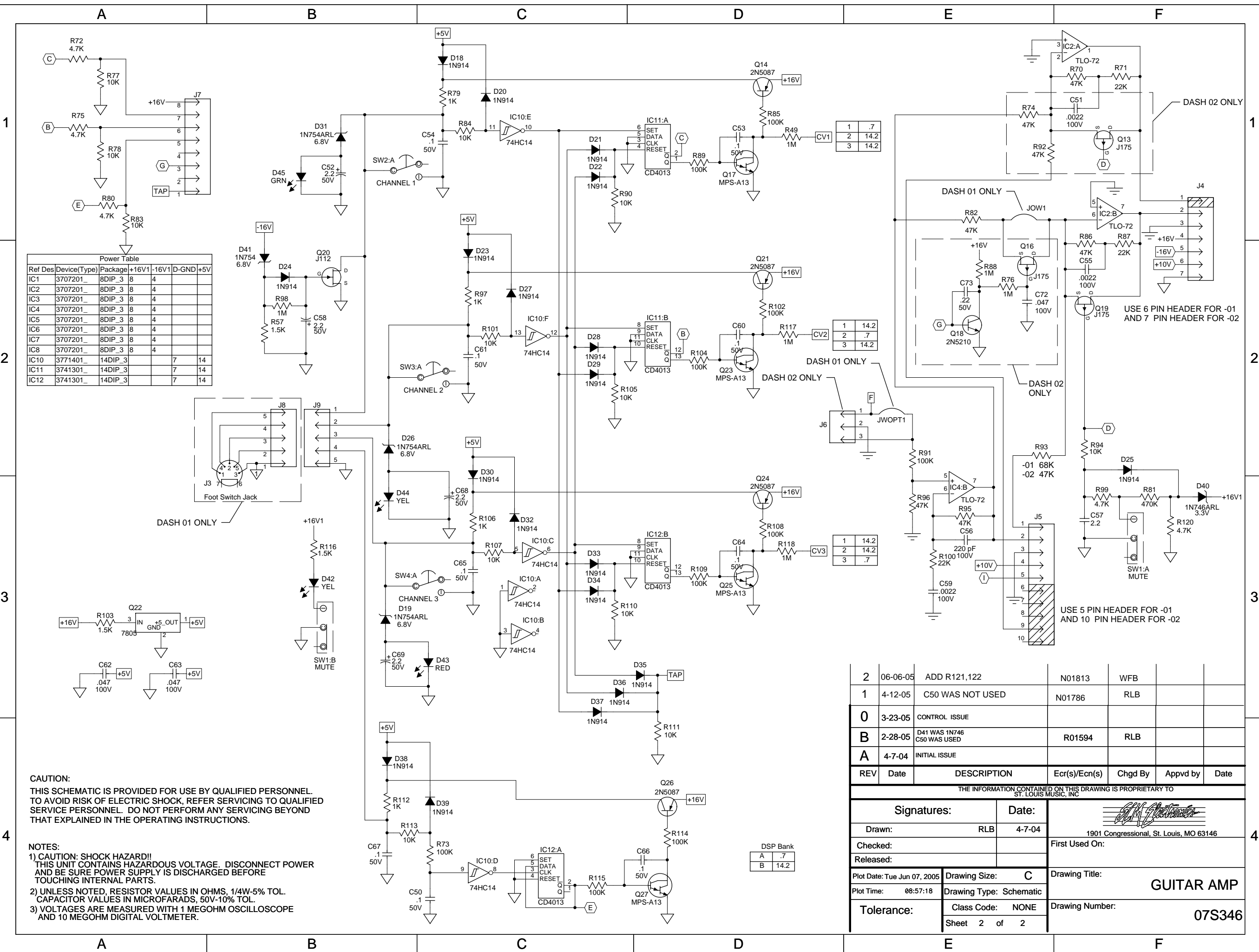
2	06-06-05	ADD R121,122	N01813	WFB		
1	4-12-05	C50 WAS NOT USED	N01786	RLB		
0	3-23-05	CONTROL ISSUE				
B	2-28-05	D41 WAS 1N746 C50 WAS USED	R01594	RLB		
A	4-7-04	INITIAL ISSUE				
REV	Date	DESCRIPTION	Ecr(s)/Ecn(s)	Chgd By	Appvd by	Date

THE INFORMATION CONTAINED ON THIS DRAWING IS PROPRIETARY TO ST. LOUIS MUSIC, INC.

<b>Signatures:</b>		<b>Date:</b>	 1901 Congressional, St. Louis, MO 63146
Drawn:	RLB	4-7-04	
Checked:			First Used On:
Released:			
Plot Date: Tue Jun 07, 2005	Drawing Size: C	Drawing Title: <b>GUITAR AMP</b>	
Plot Time: 08:57:18	Drawing Type: Schematic	Drawing Number: <b>07S346</b>	
Tolerance:	Class Code: NONE	Sheet 1 of 2	

4

4



**Power Table**

Ref Des	Device(Type)	Package	+16V1	-16V1	D-GND	+5V
IC1	3707201	8DIP_3	8	4		
IC2	3707201	8DIP_3	8	4		
IC3	3707201	8DIP_3	8	4		
IC4	3707201	8DIP_3	8	4		
IC5	3707201	8DIP_3	8	4		
IC6	3707201	8DIP_3	8	4		
IC7	3707201	8DIP_3	8	4		
IC8	3707201	8DIP_3	8	4		
IC10	3771401	14DIP_3			7	14
IC11	3741301	14DIP_3			7	14
IC12	3741301	14DIP_3			7	14

**CAUTION:**  
THIS SCHEMATIC IS PROVIDED FOR USE BY QUALIFIED PERSONNEL. TO AVOID RISK OF ELECTRIC SHOCK, REFER SERVICING TO QUALIFIED SERVICE PERSONNEL. DO NOT PERFORM ANY SERVICING BEYOND THAT EXPLAINED IN THE OPERATING INSTRUCTIONS.

**NOTES:**  
1) CAUTION: SHOCK HAZARD!! THIS UNIT CONTAINS HAZARDOUS VOLTAGE. DISCONNECT POWER AND BE SURE POWER SUPPLY IS DISCHARGED BEFORE TOUCHING INTERNAL PARTS.  
2) UNLESS NOTED, RESISTOR VALUES IN OHMS, 1/4W-5% TOL. CAPACITOR VALUES IN MICROFARADS, 50V-10% TOL.  
3) VOLTAGES ARE MEASURED WITH 1 MEGOHM OSCILLOSCOPE AND 10 MEGOHM DIGITAL VOLTMETER.

REV	Date	DESCRIPTION	Ecr(s)/Ecn(s)	Chgd By	Appvd by	Date
2	06-06-05	ADD R121,122	N01813	WFB		
1	4-12-05	C50 WAS NOT USED	N01786	RLB		
0	3-23-05	CONTROL ISSUE				
B	2-28-05	D41 WAS 1N746 C50 WAS USED	R01594	RLB		
A	4-7-04	INITIAL ISSUE				

THE INFORMATION CONTAINED ON THIS DRAWING IS PROPRIETARY TO ST. LOUIS MUSIC, INC.

Signatures:		Date:	 1901 Congressional, St. Louis, MO 63146
Drawn:	RLB	4-7-04	
Checked:			First Used On:
Released:			
Plot Date: Tue Jun 07, 2005	Drawing Size: C	Drawing Title: GUITAR AMP	
Plot Time: 08:57:18	Drawing Type: Schematic	Drawing Number: 07S346	
Tolerance:	Class Code: NONE	Sheet 2 of 2	