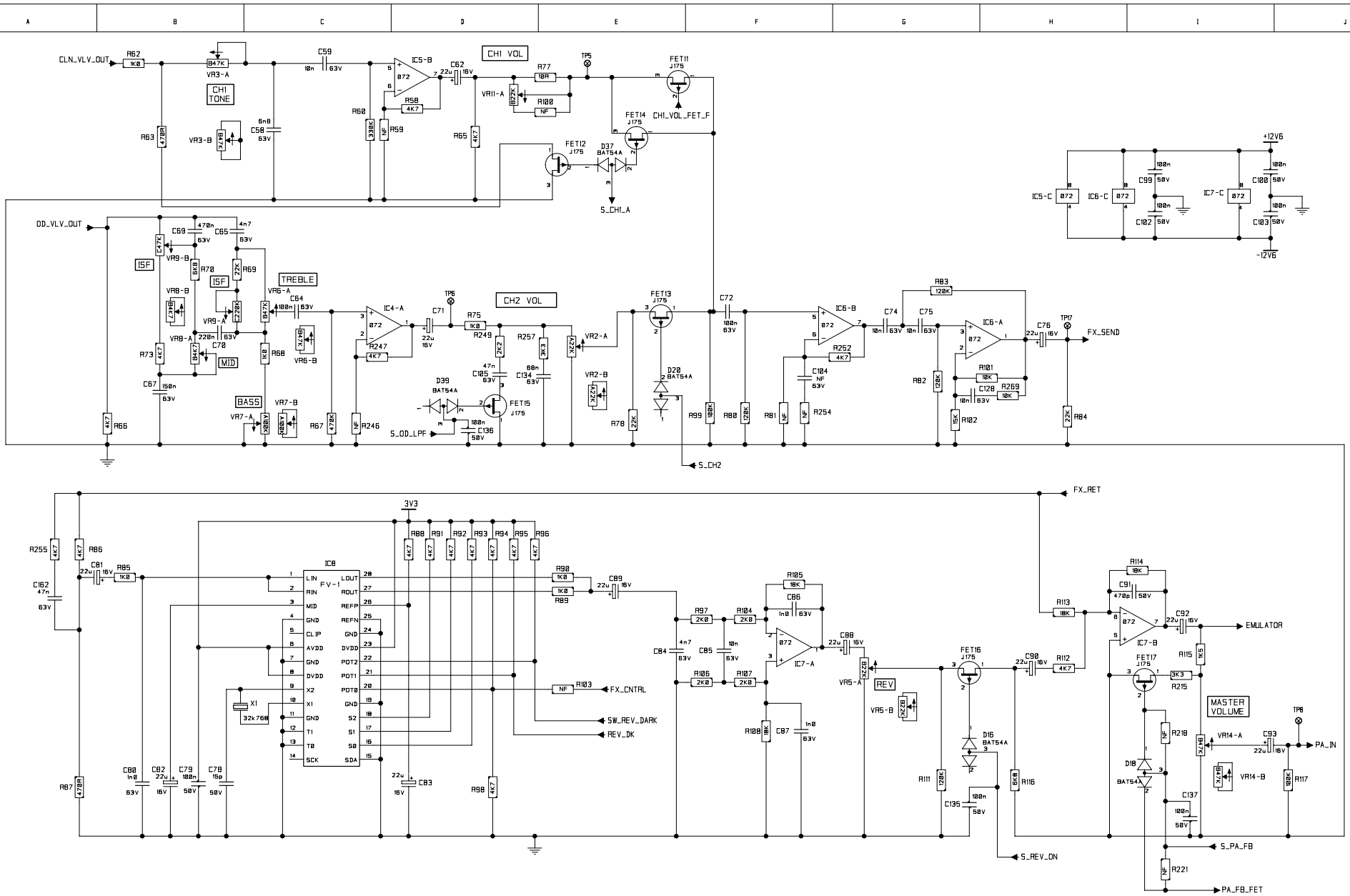


XX	CN1234	01-01-01	0XA
ISSUE	ECO No.	DATE	INITIAL

Blackstar
AMPLIFICATION
 COPYRIGHT EXISTS ON THIS DOCUMENT. IT MUST NOT BE USED FOR ANY PURPOSE OTHER THAN THAT FOR WHICH IT WAS SUPPLIED AND MUST NOT BE COPIED IN WHOLE OR PART WITHOUT WRITTEN PERMISSION OF BLACKSTAR AMPLIFICATION.

DWG No.	ISS:	SHT. 1	TITLE
	1B	OF 4	MAIN PCB
DRAWN BY	DATE		INPUT STAGES
CLIFF BROWN	18-12-09		
CHECKED BY	DATE		MODEL
			HT CLUB 40
APPROVED BY	DATE		

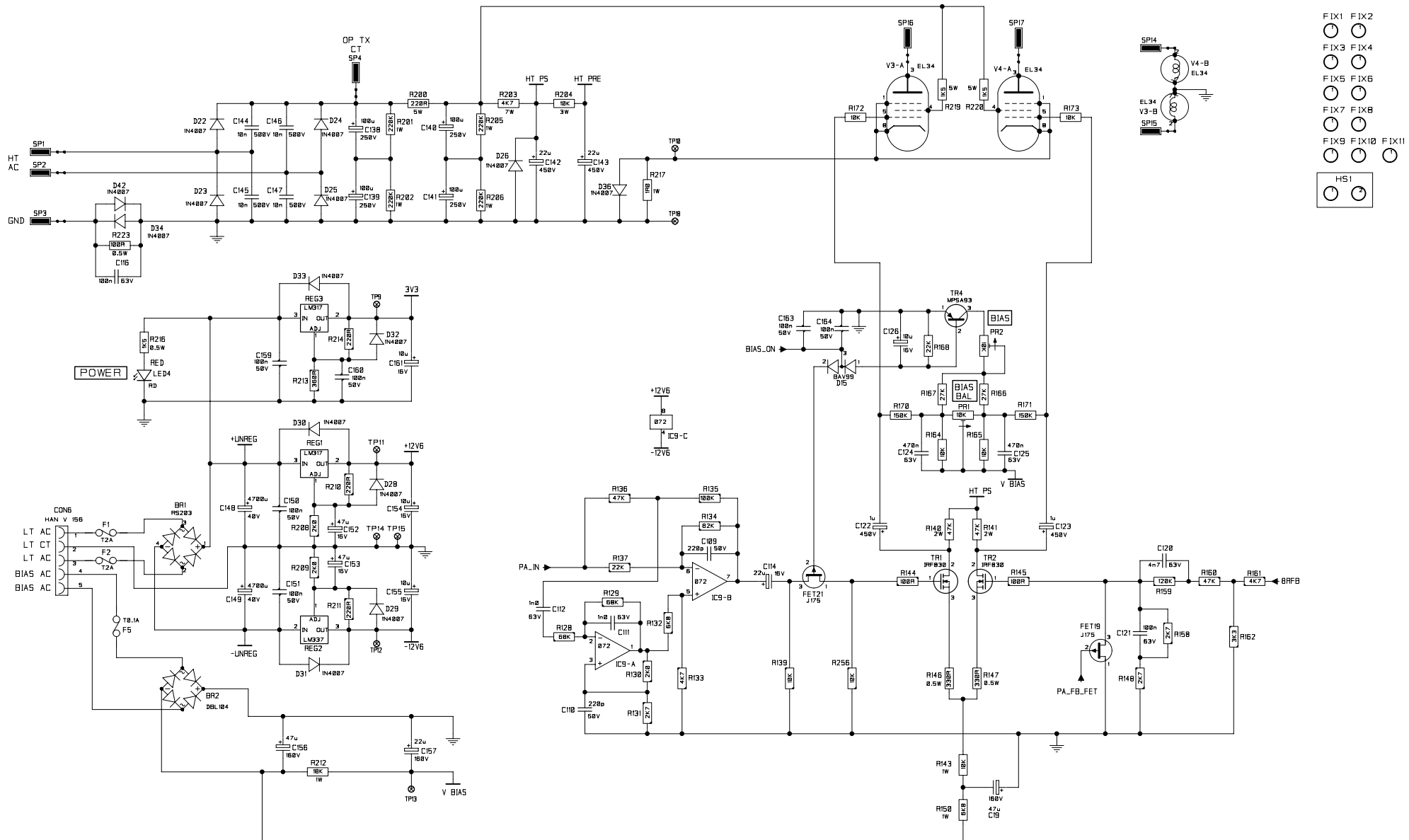


Blackstar AMPLIFICATION

COPYRIGHT EXISTS ON THIS DOCUMENT. IT MUST NOT BE USED FOR ANY PURPOSE OTHER THAN THAT FOR WHICH IT WAS SUPPLIED AND MUST NOT BE COPIED IN WHOLE OR PART WITHOUT WRITTEN PERMISSION OF BLACKSTAR AMPLIFICATION

XX	CN1234	01-01-01	0XA
ISSUE	ECO No.	DATE	INITIAL

DWG No.	ISS:	SHT. 2	TITLE
	1B	OF 4	MAIN PCB
DRAWN BY	DATE		EQ & REVERB
CLIFF BROWN	18-12-09		
CHECKED BY	DATE		MODEL
			HT CLUB 40
APPROVED BY	DATE		



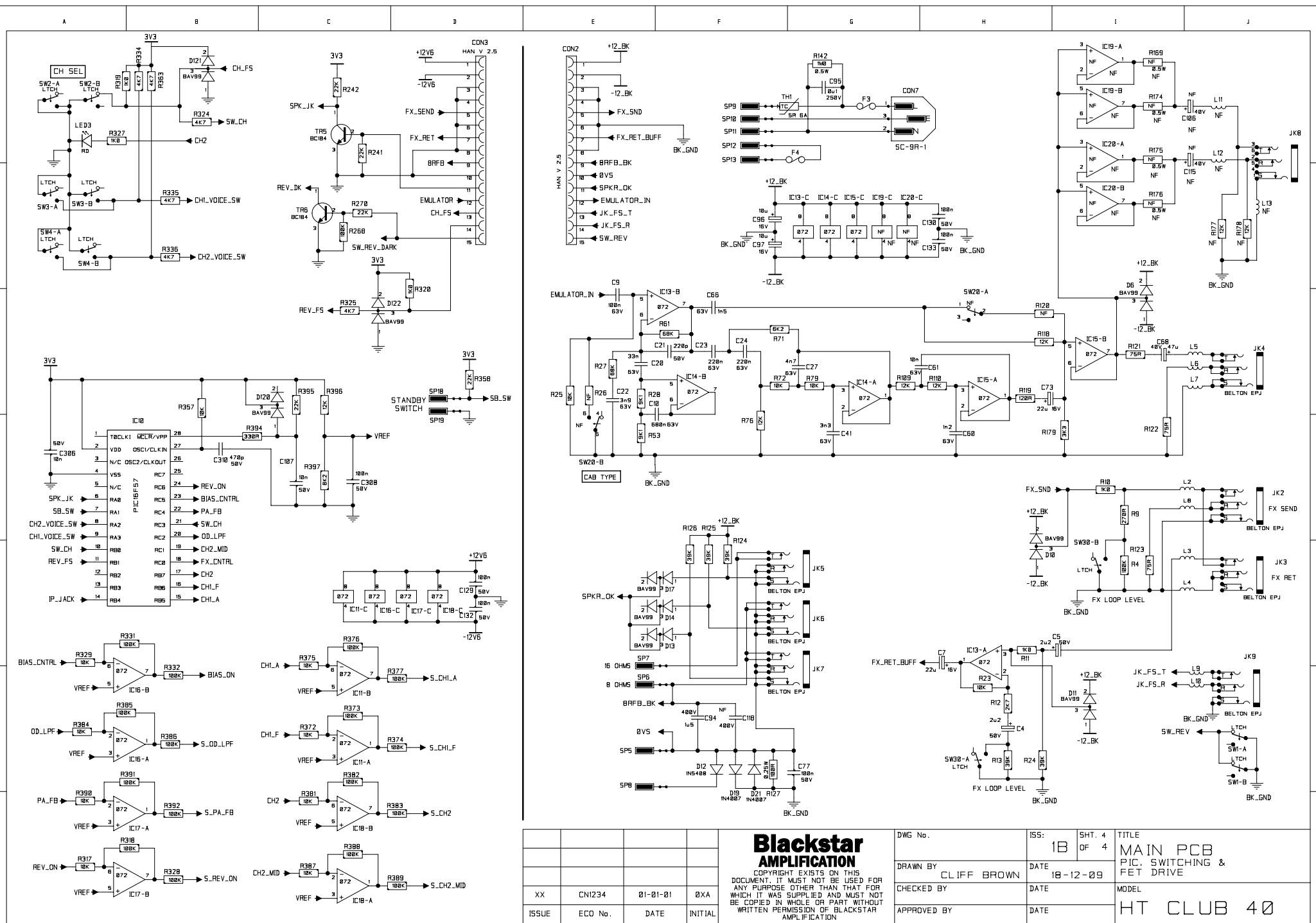
- FIX1
- FIX2
- FIX3
- FIX4
- FIX5
- FIX6
- FIX7
- FIX8
- FIX9
- FIX10
- FIX11
- HS1

**Blackstar
AMPLIFICATION**

COPYRIGHT EXISTS ON THIS DOCUMENT. IT MUST NOT BE USED FOR ANY PURPOSE OTHER THAN THAT FOR WHICH IT WAS SUPPLIED AND MUST NOT BE COPIED IN WHOLE OR PART WITHOUT WRITTEN PERMISSION OF BLACKSTAR AMPLIFICATION

XX	CN1234	01-01-01	0XA
ISSUE	ECO No.	DATE	INITIAL

DWG No.	ISS.	SHT.	TITLE
	1B	3 OF 4	MAIN PCB
DRAWN BY	DATE		PSU & PHASE SPLITTER
CLIFF BROWN	18-12-09		
CHECKED BY	DATE		MODEL
			HT CLUB 40
APPROVED BY	DATE		

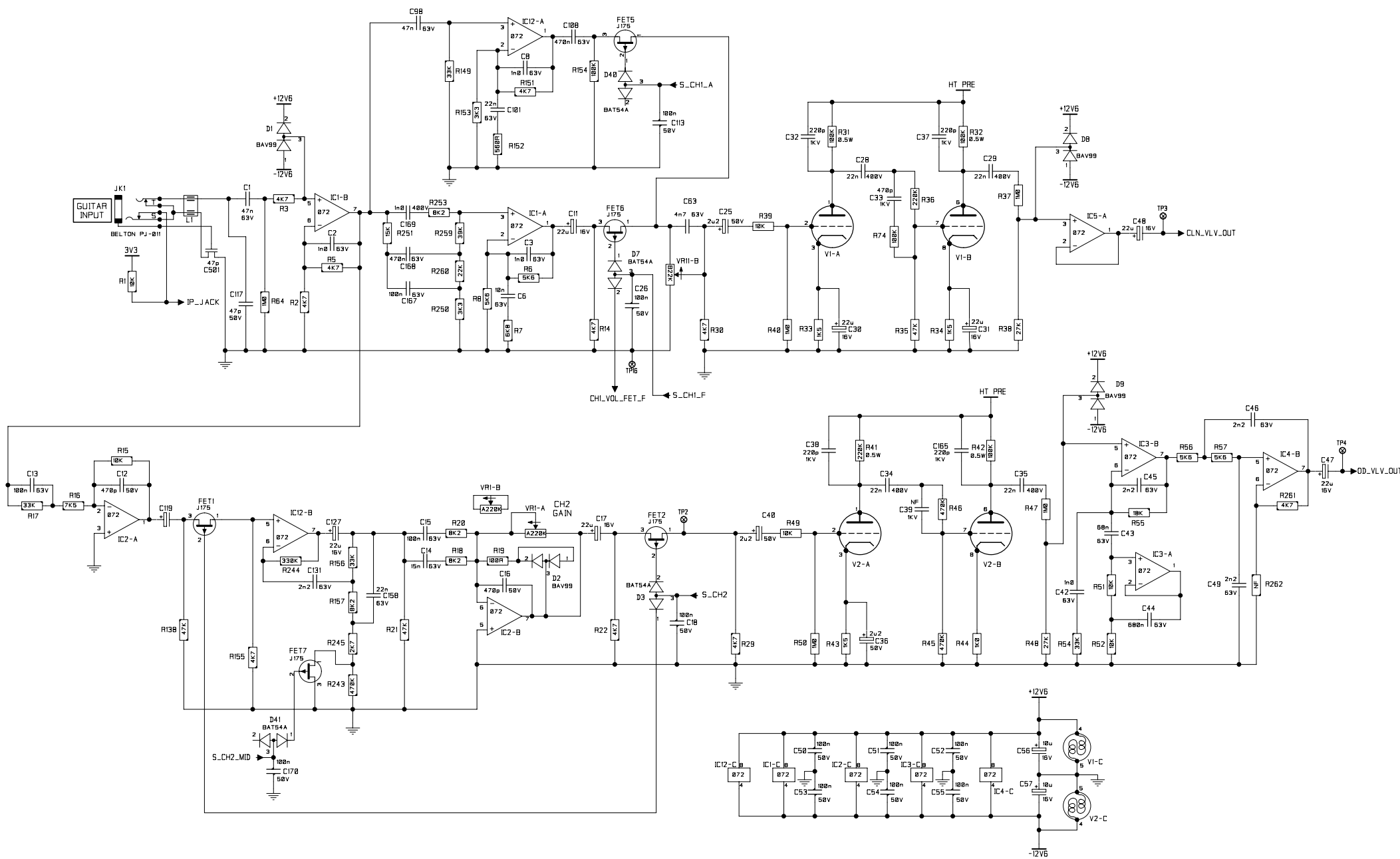


Blackstar AMPLIFICATION

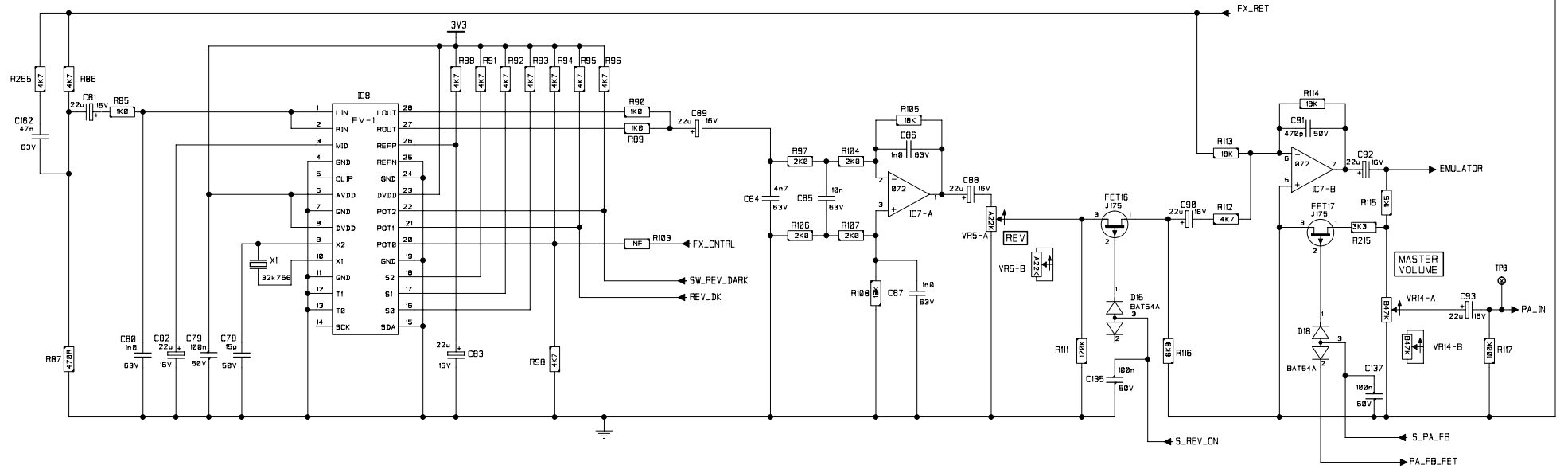
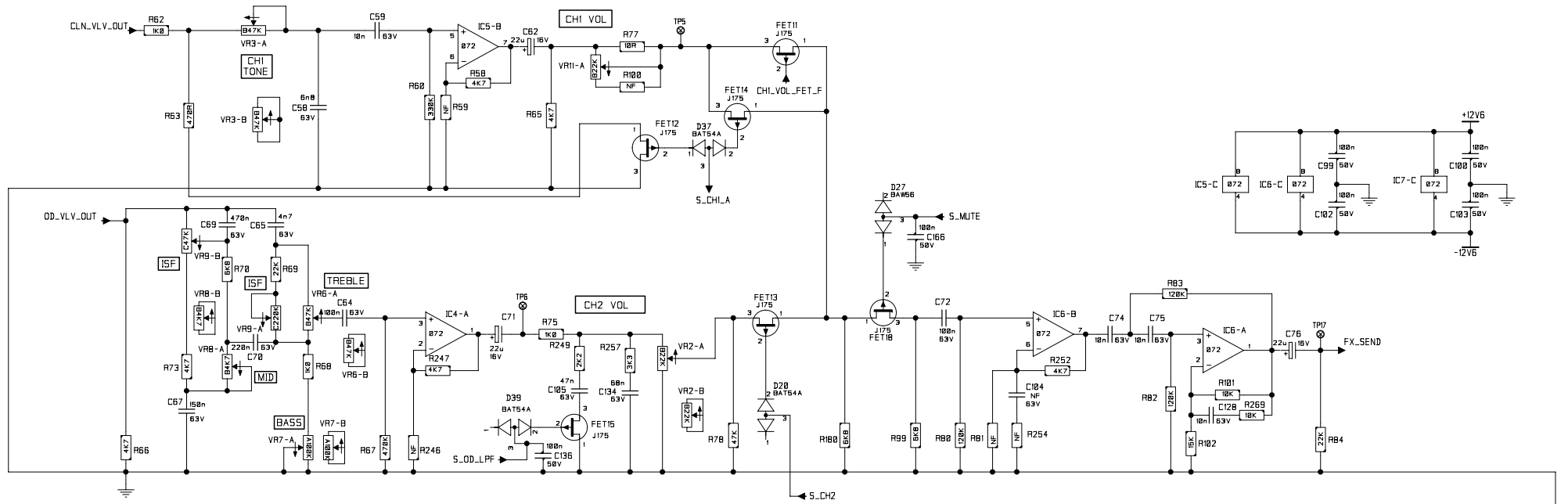
DOCUMENT: IT MUST NOT BE USED FOR ANY PURPOSE OTHER THAN THAT FOR WHICH IT WAS SUPPLIED AND MUST NOT BE COPIED IN WHOLE OR PART WITHOUT WRITTEN PERMISSION OF BLACKSTAR AMPLIFICATION

DWG No.	ISS.	SHT. 4	TITLE
	1B	OF 4	MAIN PCB
DRAWN BY	DATE		PIC, SWITCHING & FET DRIVE
CHECKED BY	DATE		MODEL
APPROVED BY	DATE		HT CLUB 40

XX	CN1234	01-01-01	0XA
ISSUE	ECO No.	DATE	INITIAL



<p align="center">Blackstar AMPLIFICATION</p> <p align="center">COPYRIGHT EXISTS ON THIS DOCUMENT. IT MUST NOT BE USED FOR ANY PURPOSE OTHER THAN THAT FOR WHICH IT WAS SUPPLIED AND MUST NOT BE COPIED IN WHOLE OR PART WITHOUT WRITTEN PERMISSION OF BLACKSTAR AMPLIFICATION</p>				DWG No.	ISS: 3A	SHT. 1 OF 4	TITLE MAIN PCB
				DRAWN BY CLIFF BROWN	DATE 28-01-10		INPUT STAGES
XX	CN1234	01-01-01	0XA	CHECKED BY	DATE		MODEL
ISSUE	ECO No.	DATE	INITIAL	APPROVED BY	DATE		HT CLUB 40



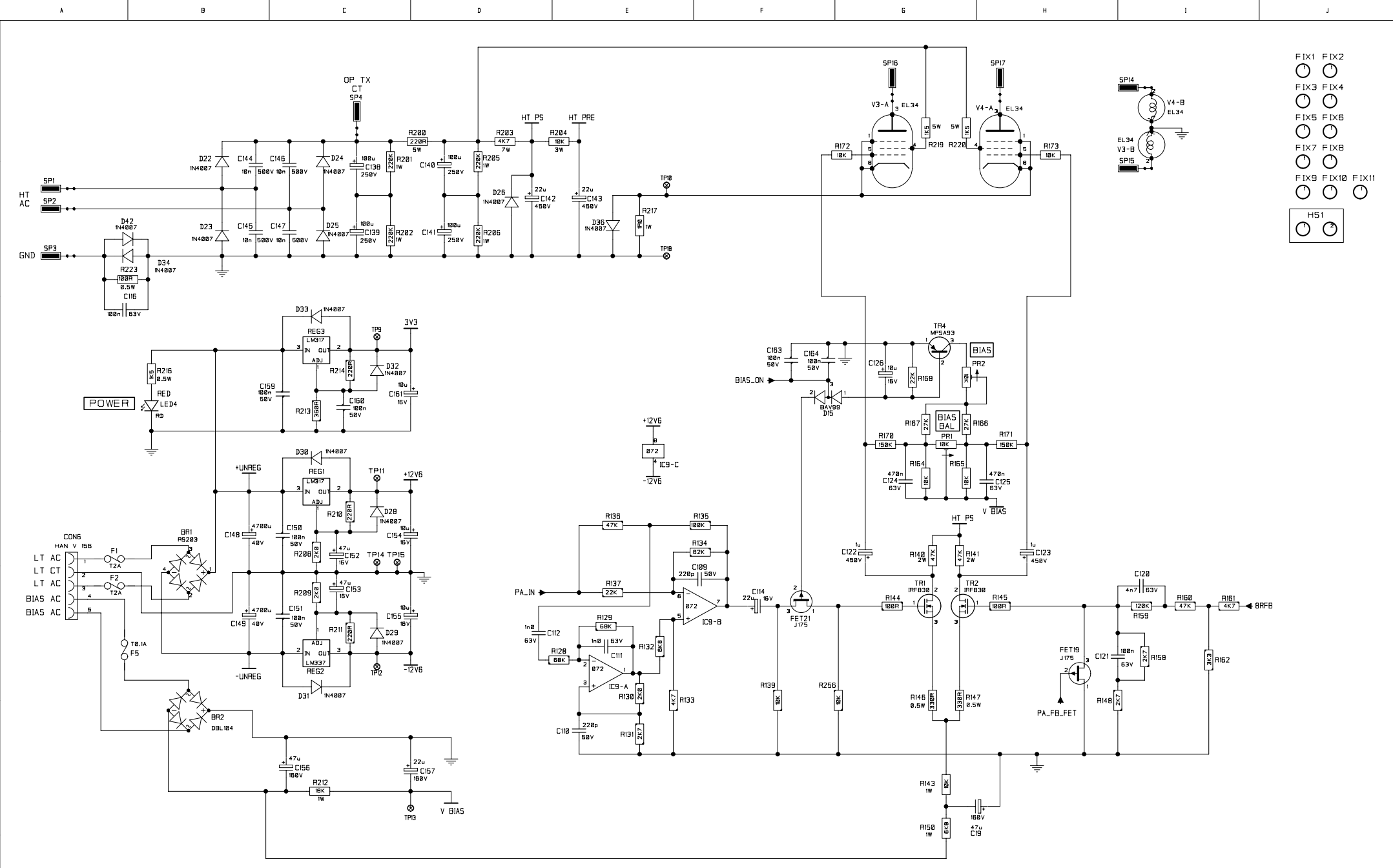
XX	CN1234	01-01-01	0XA
ISSUE	ECO No.	DATE	INITIAL

Blackstar
AMPLIFICATION
 COPYRIGHT EXISTS ON THIS DOCUMENT. IT MUST NOT BE USED FOR ANY PURPOSE OTHER THAN THAT FOR WHICH IT WAS SUPPLIED AND MUST NOT BE COPIED IN WHOLE OR PART WITHOUT WRITTEN PERMISSION OF BLACKSTAR AMPLIFICATION

DWG No.	ISS:
DRAWN BY	SHT. 2
CHECKED BY	OF 4
APPROVED BY	TITLE
	EQ & REVERB
	MODEL
	HT CLUB 40

DATE	DATE
28-01-10	DATE

DATE	DATE



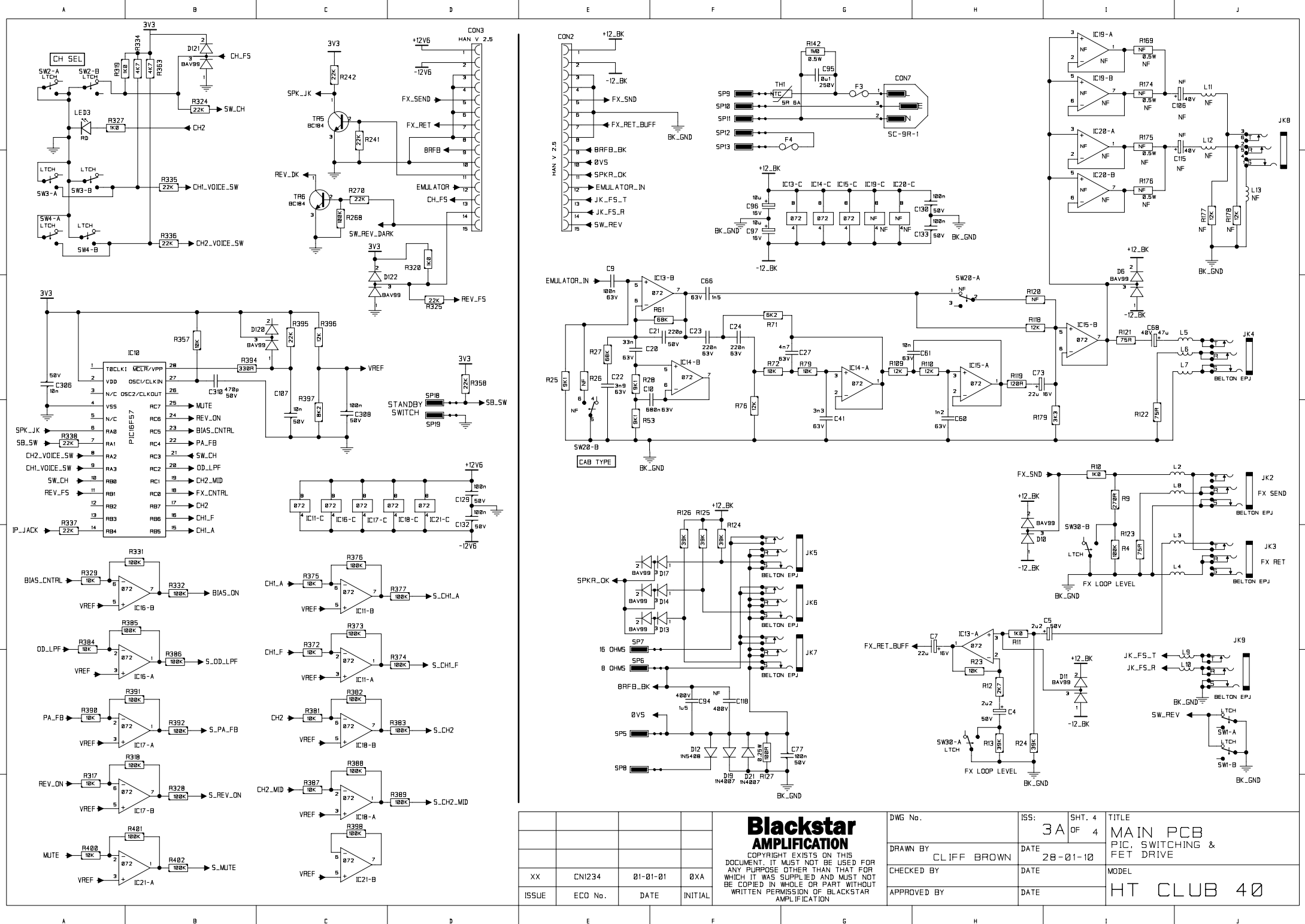
- FIX1
 - FIX2
 - FIX3
 - FIX4
 - FIX5
 - FIX6
 - FIX7
 - FIX8
 - FIX9
 - FIX10
 - FIX11
- HS1

**Blackstar
AMPLIFICATION**

COPYRIGHT EXISTS ON THIS DOCUMENT. IT MUST NOT BE USED FOR ANY PURPOSE OTHER THAN THAT FOR WHICH IT WAS SUPPLIED AND MUST NOT BE COPIED IN WHOLE OR PART WITHOUT WRITTEN PERMISSION OF BLACKSTAR AMPLIFICATION

XX	CN1234	01-01-01	0XA
ISSUE	ECO No.	DATE	INITIAL

DWG No.	ISS: 3A	SHT. 3 OF 4	TITLE MAIN PCB PSU & PHASE SPLITTER
DRAWN BY CLIFF BROWN	DATE 28-01-10	DATE	MODEL HT CLUB 40
CHECKED BY	DATE	DATE	
APPROVED BY	DATE	DATE	



Blackstar AMPLIFICATION

COPYRIGHT EXISTS ON THIS DOCUMENT. IT MUST NOT BE USED FOR ANY PURPOSE OTHER THAN THAT FOR WHICH IT WAS SUPPLIED AND MUST NOT BE COPIED IN WHOLE OR PART WITHOUT WRITTEN PERMISSION OF BLACKSTAR AMPLIFICATION

DWG No.	ISS:	SHT. 4	TITLE
DATE	3A	OF 4	MAIN PCB PIC, SWITCHING & FET DRIVE
DRAWN BY	DATE	DATE	MODEL
CLIFF BROWN	28-01-10		HT CLUB 40
CHECKED BY	DATE		
APPROVED BY	DATE		

XX	CN1234	01-01-01	0XA
ISSUE	ECO No.	DATE	INITIAL