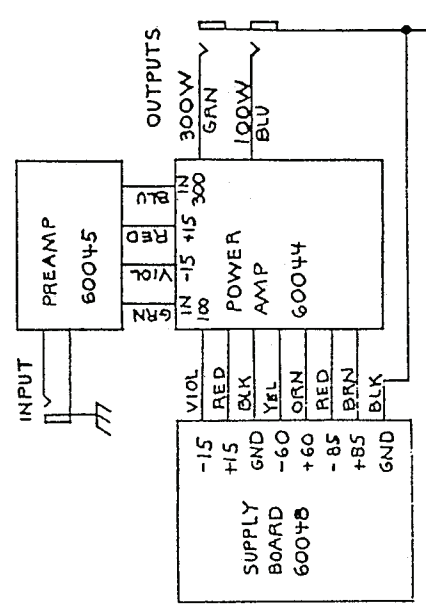


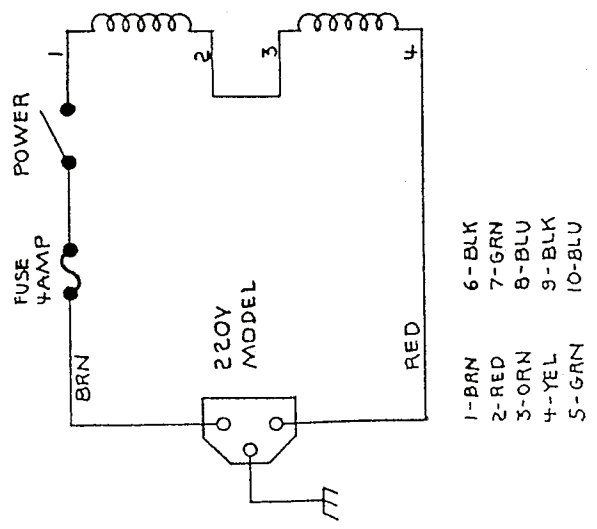
USED ON:
800RB

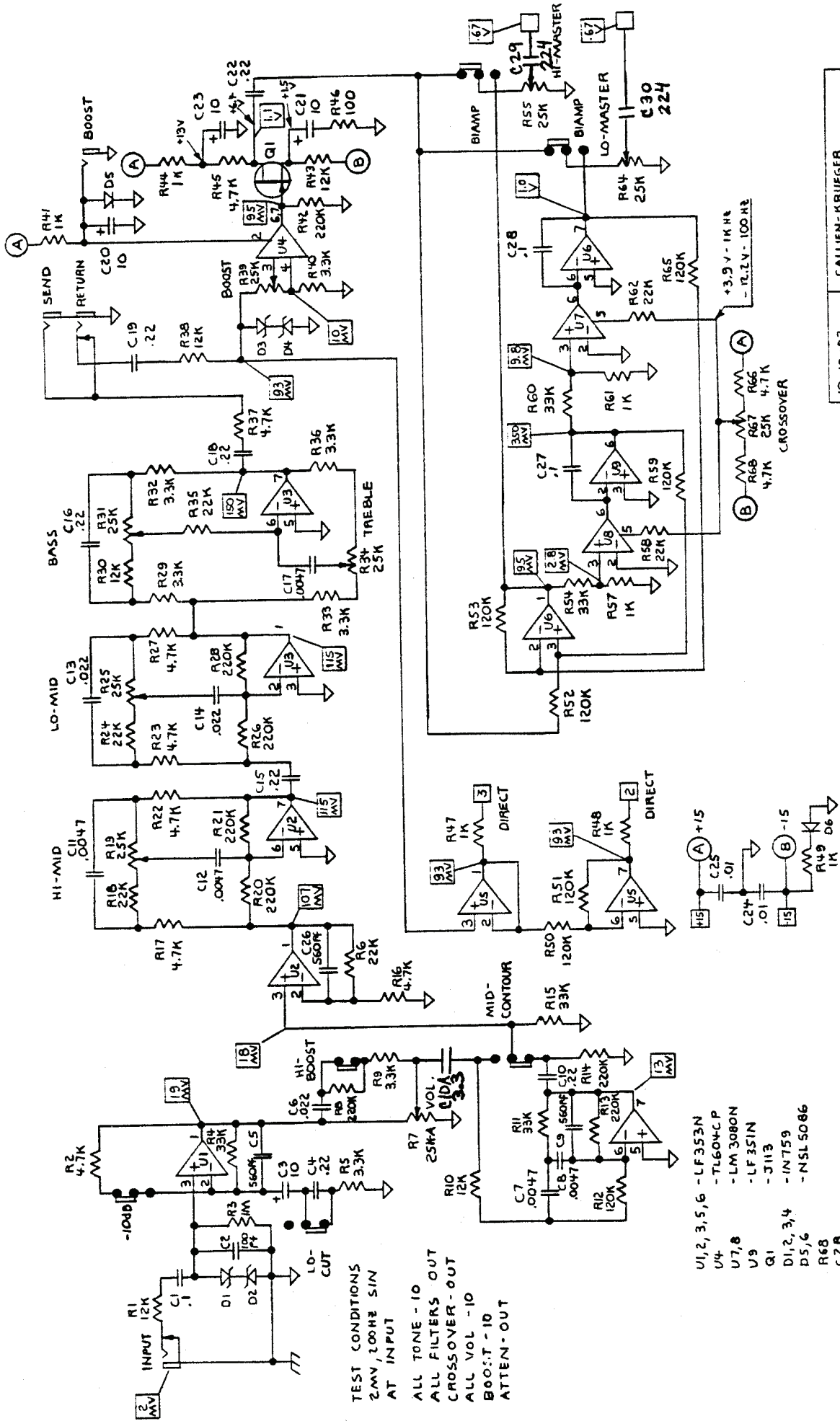
- Q1,4 - TIP31B
- Q2 - MPS-A06
- Q3 - MPS-A56
- D1,2 - 1N966
- F1,2 - 275.125
- U1 - KBPC-102
- U2 - KBPC-2502



SUPPLY INTERCONNECTION DIAGRAM

11-9-82	GALLIEN-KRUEGER
R.A. GALLIEN	100/300 SUPPLY
SN-012714	SN- 60048A



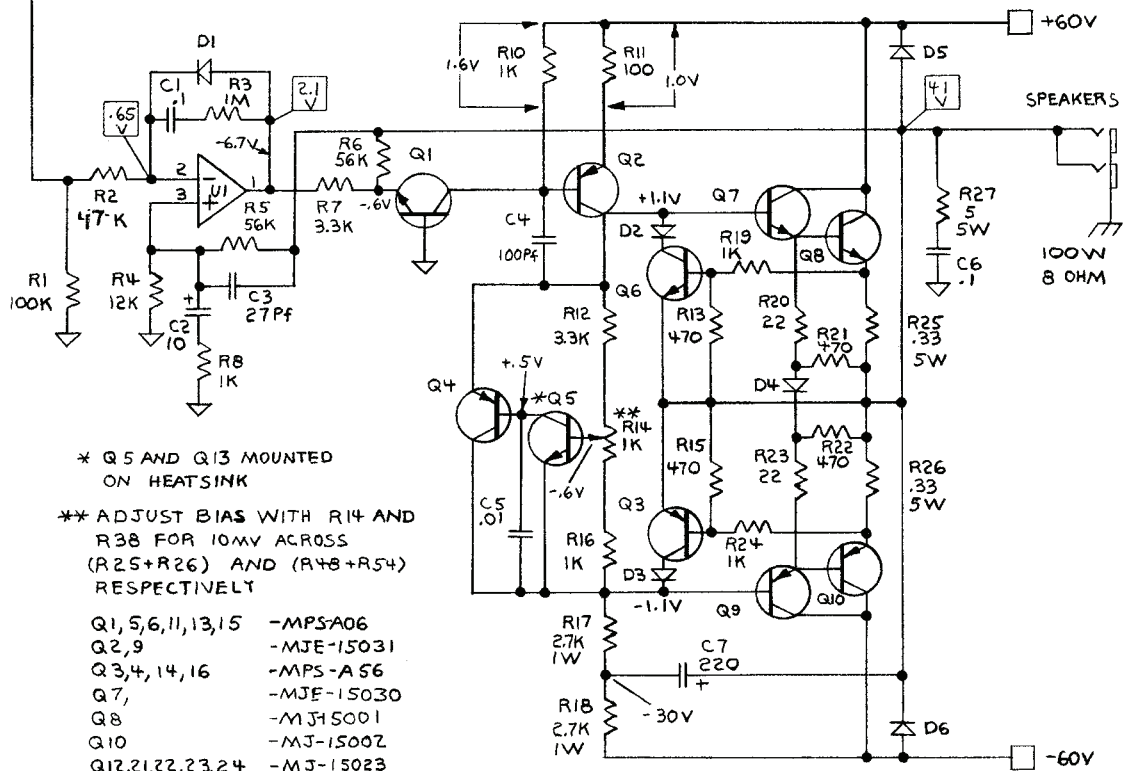
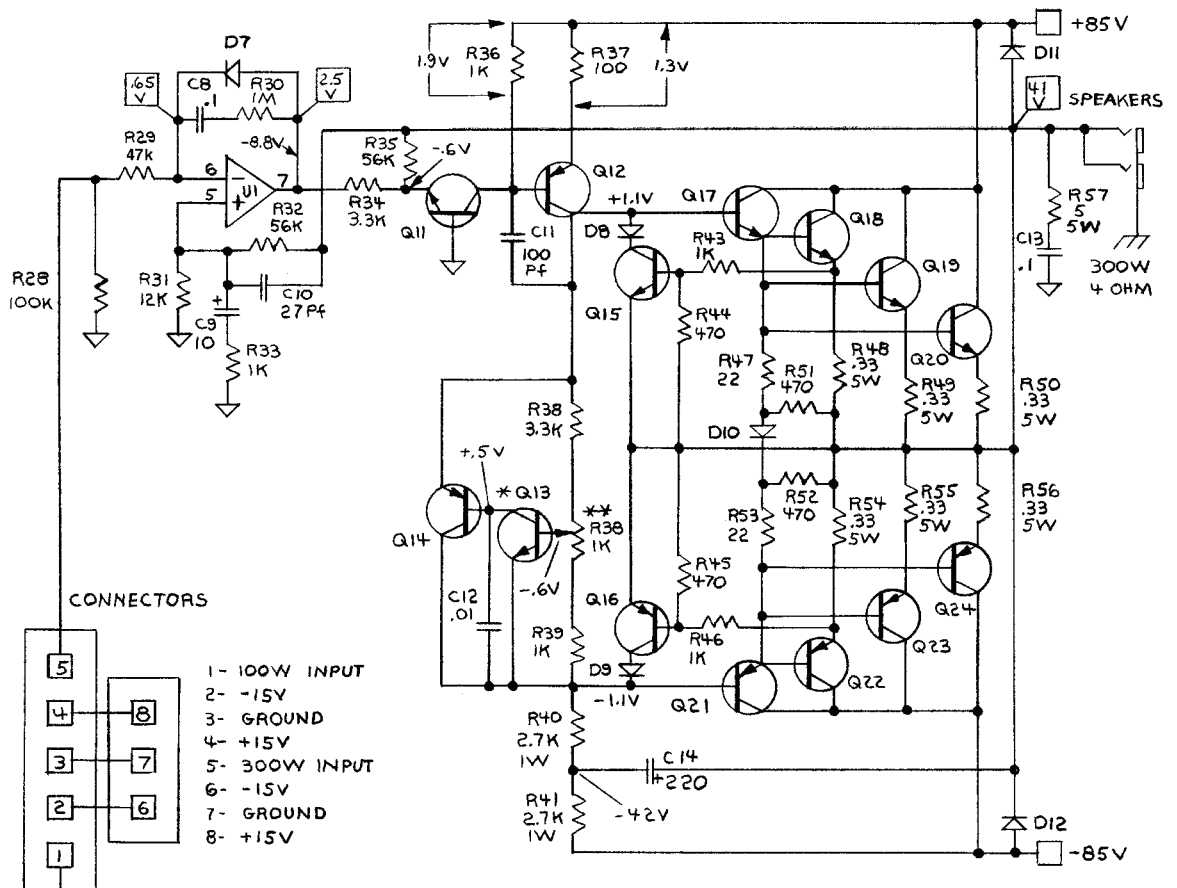


TEST CONDITIONS
 2mV, 1000Hz SIN
 AT INPUT

ALL TONE - 10
 ALL FILTERS OUT
 CROSSOVER - OUT
 ALL VOL - 10
 BOOST - 10
 ATTEN - OUT

- U1,2,3,5,6 - LF353N
 - U4 - TL604CP
 - U7,8 - LM3080N
 - U9 - LF351N
 - Q1 - J113
 - D1,2,3,4 - 1N759
 - D5,6 - N5L5086
 - R68
 - C28
- ALL RESISTORS 1/4W 5%, OHMS
 ALL CAPACITORS IN uF UNLESS
 OTHERWISE SPECIFIED

10-18-82	GALLIEN-KRUEGER
BOB GALLIEN	BOB RB PREAMP
SN-012714	60045 A



* Q5 AND Q13 MOUNTED ON HEATSINK

** ADJUST BIAS WITH R14 AND R38 FOR 10mV ACROSS (R25+R26) AND (R48+R54) RESPECTIVELY

- | | |
|------------------|------------|
| Q1,5,6,11,13,15 | -MPS-A06 |
| Q2,9 | -MJE-15031 |
| Q3,4,14,16 | -MPS-A56 |
| Q7, | -MJE-15030 |
| Q8 | -MJ15001 |
| Q10 | -MJ-15002 |
| Q12,21,22,23,24 | -MJ-15023 |
| Q17,18,19,20 | -MJ-15022 |
| D1,2,3,4,5,6,7,8 | -1N4002 |
| 9,10,11,12 | |
| U1 | -LF353N |

R-57
C-14

11-5-62	GALLIEN-KRUEGER
R.A. GALLIEN	100W/300W POWER AMP
SN-012714	SN-
	60044A