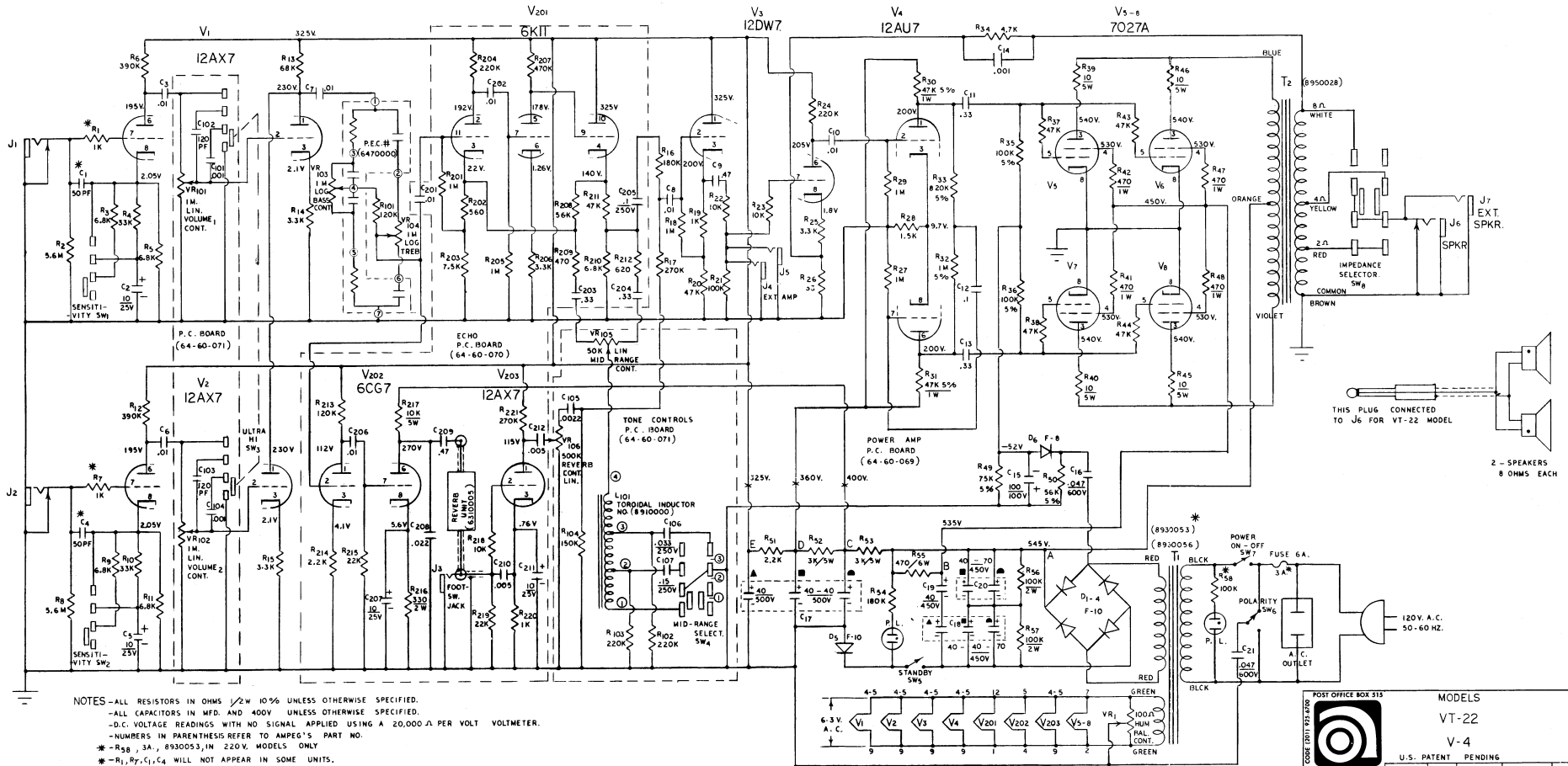


VT22 & V4 (REV A)

Ampeg



- NOTES - ALL RESISTORS IN OHMS $\frac{1}{2}$ W 10% UNLESS OTHERWISE SPECIFIED.
 - ALL CAPACITORS IN MFD. AND 400V UNLESS OTHERWISE SPECIFIED.
 - D.C. VOLTAGE READINGS WITH NO SIGNAL APPLIED USING A 20,000 Ω PER VOLT VOLTMETER.
 - NUMBERS IN PARENTHESIS REFER TO AMPEG'S PART NO.
 * - R₃₈, 3A, 8930053, IN 220V. MODELS ONLY
 * - R₁, R₇, C₁, C₄ WILL NOT APPEAR IN SOME UNITS.
 - D.C. VOLTAGE READINGS ARE POSITIVE WITH RESPECT TO CHASSIS GROUND UNLESS OTHERWISE SPECIFIED.
 - CIRCUIT OF CHASSIS MAY VARY SLIGHTLY FROM THAT SHOWN HERE DUE TO NORMAL PRODUCTION CHANGES.

POST OFFICE BOX 513
 MODELS
 VT-22
 V-4

U.S. PATENT PENDING

| | | | | |
|--------|------|----------|----------|------|
| DRN BY | DATE | DWG. NO. | PART NO. | REV. |
| S. C. | 6-70 | 06200 | 4010244 | A |

ampeg
 LINCOLN, NEW JERSEY 07036