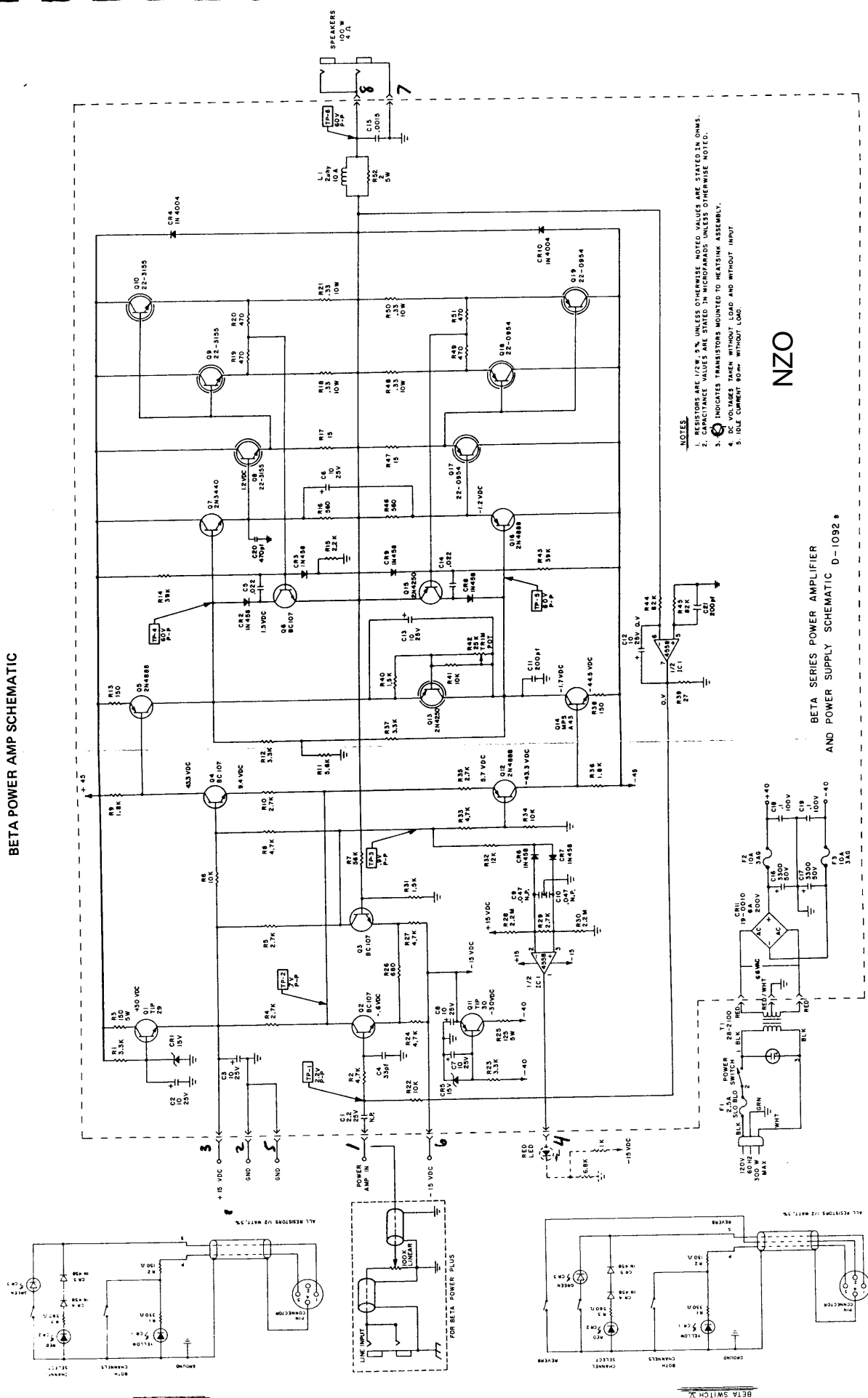


BETA POWER AMP SCHEMATIC



- NOTES**
1. DIMENSIONS ARE 1/16" UNLESS OTHERWISE NOTED. VALUES ARE STATED IN OHMS.
 2. CAPACITANCE VALUES ARE STATED IN MICROFARADS UNLESS OTHERWISE NOTED.
 3. INDICATES TRANSISTORS MOUNTED TO HEATSINK ASSEMBLY.
 4. INDICATES 1/4W RESISTORS AND WITHOUT LOAD.
 5. D.C. CURRENT 80mA WITHOUT LOAD.

NZO

BETA SERIES POWER AMPLIFIER
AND POWER SUPPLY SCHEMATIC D-1092 B